

JUVARRA BRUNELLESCHI



Panic device for fire-resistant doors

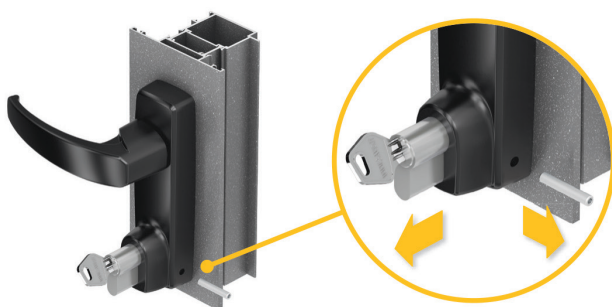
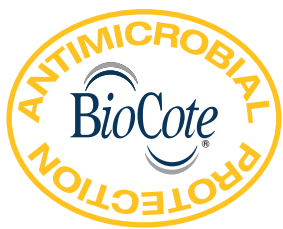
500,000 tested cycles
Antibacterial protection
Compact design
Functional safety and reliability
CE and NF certificates



QE+C niveau 3



New panic bars: Juarra and Brunelleschi for fire-resistant doors



Replacing the cylinder has never been simpler

With Juarra and Brunelleschi, you can replace the cylinder without having to disassemble the internal part of the panic bar. A very useful innovation in case of solutions with master key or other special organization chart solution. Its convenience is even clearer in case of large worksites, when the cylinder supplied as standard equipment is replaced with the permanent cylinder once the work is delivered: this operation is so simple that even the client can do it. Juarra, the problem-free panic bar.

All-round safety.

Certified durability

Juvarra and Brunelleschi have been tested at the highest level required by standard EN 1125:2008 (200,000 cycles), and they have brilliantly passed the 500,000-cycle test.

Anti-burglar security

Savio wanted to improve security even further: the special shape of the latch offers greater resistance against burglary attempts.

Opening safety: double leaf

Translating plate latch in stainless steel: this is the only solution that completely eliminates any jamming during the opening phase when using two leaves. Moreover, the manoeuvring strain is extremely reduced thanks to the self-lubricating nylon insert.

Extremely simple cylinder replacement

Also the new panic bars for fire-resistant doors allow the cylinder to be replaced without having to disassemble the internal part of the panic bar. A very useful innovation in case of solutions with master key or other special organization chart solution. Replacing the cylinder supplied as standard equipment with the permanent one is so simple that it can also be done by the final user.

Functional and sober design

The particularly compact design of the new range of panic bars combines pleasant sobriety and excellent functionality.

Antibacterial safety

Savio's safety also extends to hygiene, thanks to the antibacterial treatment that uses extremely high-quality paints, crucial in public places such as schools, hospitals and offices.

In order to offer the best that is currently available in this field, Savio has chosen **Biocote®**, international leader in anti-microbial and antibacterial technologies.

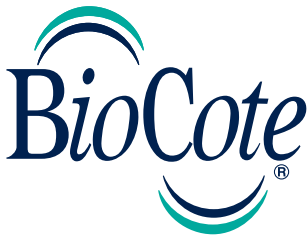
New panic bars
for fire-resistant doors
We are pushing for safety.


Open mind for closing systems.

Antibacterial safety.

The safety of Savio's Juvarra and Brunelleschi also extends to hygiene, thanks to the antibacterial treatment that uses extremely high-quality paints, crucial in public places such as schools, hospitals and offices.

To offer the best that is currently available in this field, Savio has chosen Biocote®, international leader in antimicrobial and antibacterial technologies.



ANTIBACTERIAL PROTECTION
SILVER ION TECHNOLOGY

BioCote® was founded in 1994 with the aim of developing patented coatings using antimicrobial/antibacterial powder. In just a few years, BioCote® has become an international supplier of cutting-edge antimicrobial solutions.

The additives made by BioCote® are listed in the European Directive on biocide products and have been tested according to ISO standards.

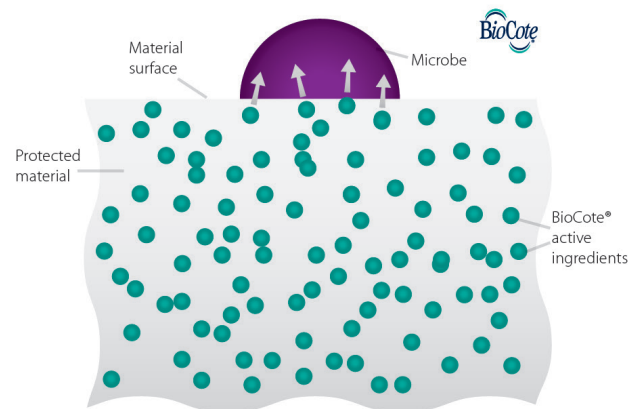
BioCote® s' technology in action.

The technology developed by BioCote® protects products for a long time, creating a surface on which microbes cannot survive.

BioCote® effects.

The BioCote® silver ions technology is incorporated in the product as an additive during the production phase, not applied as a coating after production.

Once they are incorporated, antimicrobial additives offer full and continuous protection for the entire service life of the product.

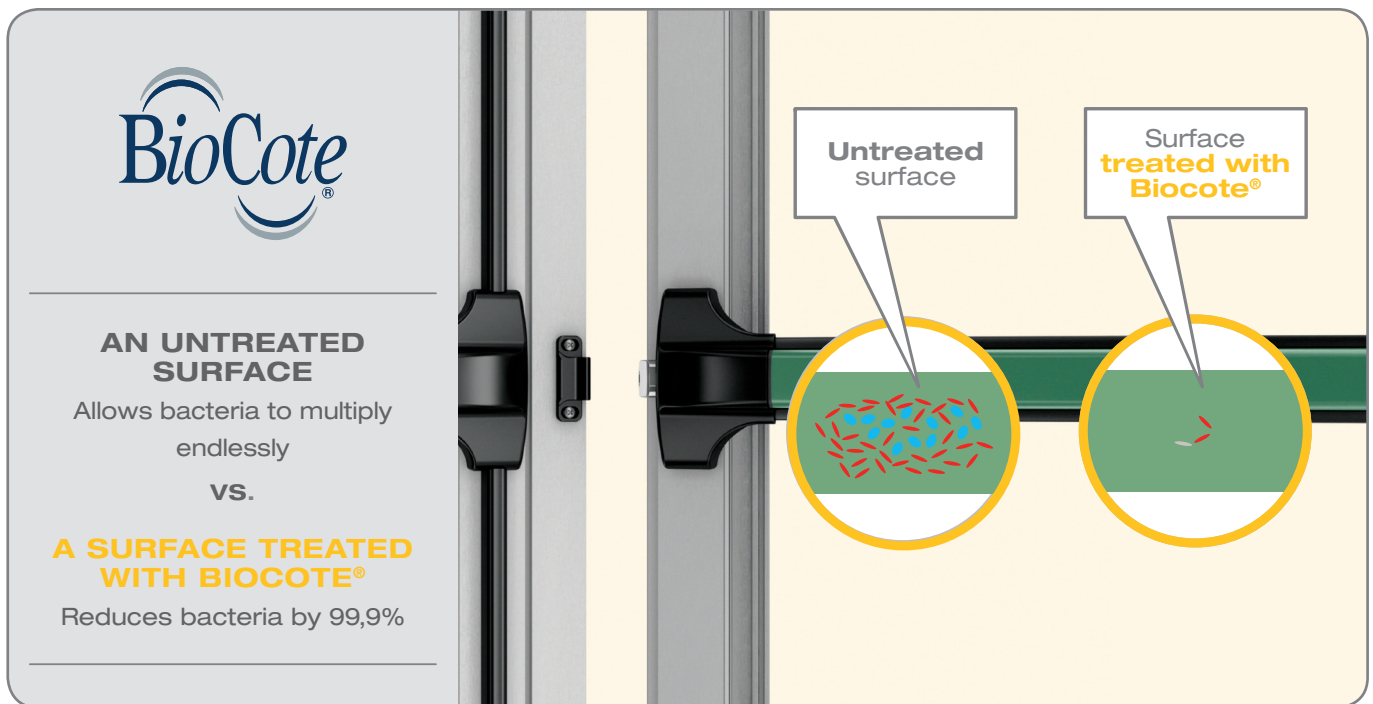


On the surface of material treated with the BioCote® additives, the silver ions bind with microbes that come in contact with the surface, damaging them beyond repair, hindering the proper functionality of their cells, making it impossible for them to reproduce and finally causing them to die.



On a product treated with the BioCote® silver ions technology, the level of bacteria has been shown to be reduced by **99,9%**.

BioCote® products are regularly validated and checked in compliance with standard ISO 22196:2011 by an independent laboratory.



Why is it important to eliminate the presence of microbes on a surface?

We are surrounded by microbes and, fortunately, most of them are harmless. Some microbes, however, may have a harmful impact on our health and on the environment where we live and work. By contrasting the negative impact that microbes may have on the surface of a product, the Biocote® technology adds value in several ways.

The technology developed by Biocote®:

- Improves the hygienic conditions of a product, if it is able to host microbes that can be harmful to man's health
- Keeps a product fresher for a longer time, if it able to host microbes that cause foul odours or stains
- It extends the life of a product, if it hosts microbes that can damage its surface.

The advantages of silver ions technology:

The most important advantage of antimicrobial additives, aside from the protection that they offer, is the fact that they do not alter the products to which they are added.

The Biocote® antimicrobial additives:

- do not change the appearance of the products
- have no adverse impact on their performance
- are not subject to wear and are not eliminated through rinsing
- do not seep through the surface of the treated products.



The accessories of **JUVARRA** and **BRUNELLESCHI** range for fire-resistant doors have been tested for fire resistance at the prestigious **ITB laboratory in Warsaw** and validated by the **CSTB**, recognized by the French Ministry of the Interior and by **AFNOR CERTIFICATION**, which has granted to them the **EC mark**.

The tests were performed **according to B Appendix** of the european standard **EN1125: 2008**.

These products are therefore usable on fire doors placed along the escape routes.

CE
0333

Certificate

Page : 2/2

Certificate n° 0333-CPR-240021 issued on 06/09/2017

Description of the product(s) :

Identification of product(s)	Accessory reference(s)	Standard(s)	Classification(s) according to the standard	Intended use(s)
6112.1/1058 6112.2/1058 6112.3/1058	6010.870, 6010.873, 6010.875	EN1125:2008	377 B 14 22 B A	Serviceability on door unit on evacuation routes Serviceability on fire door assembly and/or smoke-light door assembly

CE
0333

Certificate

Page : 2/2

Certificate n° 0333-CPR-240020 issued on 06/09/2017

Description of the product(s) :

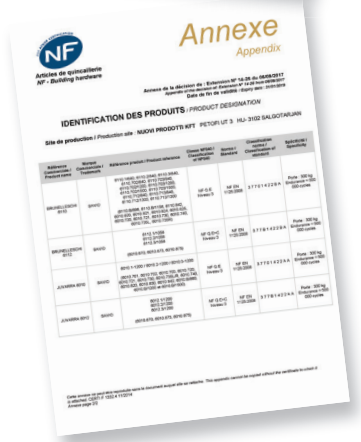
Identification of product(s)	Accessory reference(s)	Standard(s)	Classification(s) according to the standard	Intended use(s)
6012.1/1200 6012.2/1200 6012.3/1200	6010.870, 6010.873, 6010.875	EN1125:2008	377 B 14 22 A A	Serviceability on door unit on evacuation routes Serviceability on fire door assembly and/or smoke-light door assembly

Tested up to 500,000 cycles

After reaching 200,000 cycles (the maximum level set by the standard), the test continued up to 500,000 cycles, as declared in the relevant **certificate NF** issued by **AFNOR CERTIFICATION**.

Level 3 (niveau 3), the most strict, present on the certificate, indicates a high performance regarding safety against vandalism and a high resistance to the improper use of devices.

Guarantee of perfect **operation over time**.
Ideal for **high-traffic doors**.



JUVARRA and BRUNELLESCHI Panic bar certification

JUVARRA and BRUNELLESCHI were tested based on standard EN 1125:2008, according to the certificates issued in compliance with Regulation (EU) on Construction Products 305/2011 of the European Parliament and Council of 9th March 2011, by the French certification institute AFNOR, which is authorized at the European level to grant use of the EC mark on construction products. Its identification number is 0333.



The various obtainable levels:

(in bold the levels obtained by JUVARRA)

3 7 7 B 1 4 2 2 A A

Category of use:
Grade 3: high frequency of use by public

Durability:
Grade 6: 100,000 opening/closing cycles
Grade 7: 200,000 opening/closing cycles

Max. door weight:
Grade 6: up to 200 kg
Grade 7: over 200 kg

Suited for application on fire-resistant doors:
Grade 0: not suited
Grade B: suited for fire-resistant doors

Security:
Grade 1: the panic bar is safe for users

Field of application of the door:
Category A: one-leaf door, two-leaf door: active or passive leaf;
Category B: only one-leaf door;
Category C: two-leaf door, passive leaf only

Type of bar operation:
Type A = panic device with push-bar operation
Type B = panic device with touch-bar operation

Bar height with respect to door surface:
Grade 1 = up to 150 mm
Grade 2 = up to 100 mm

Anti-burglar safety:
Grade 2: ensures proper Grade of anti-burglar security without impairing operation of the panic device

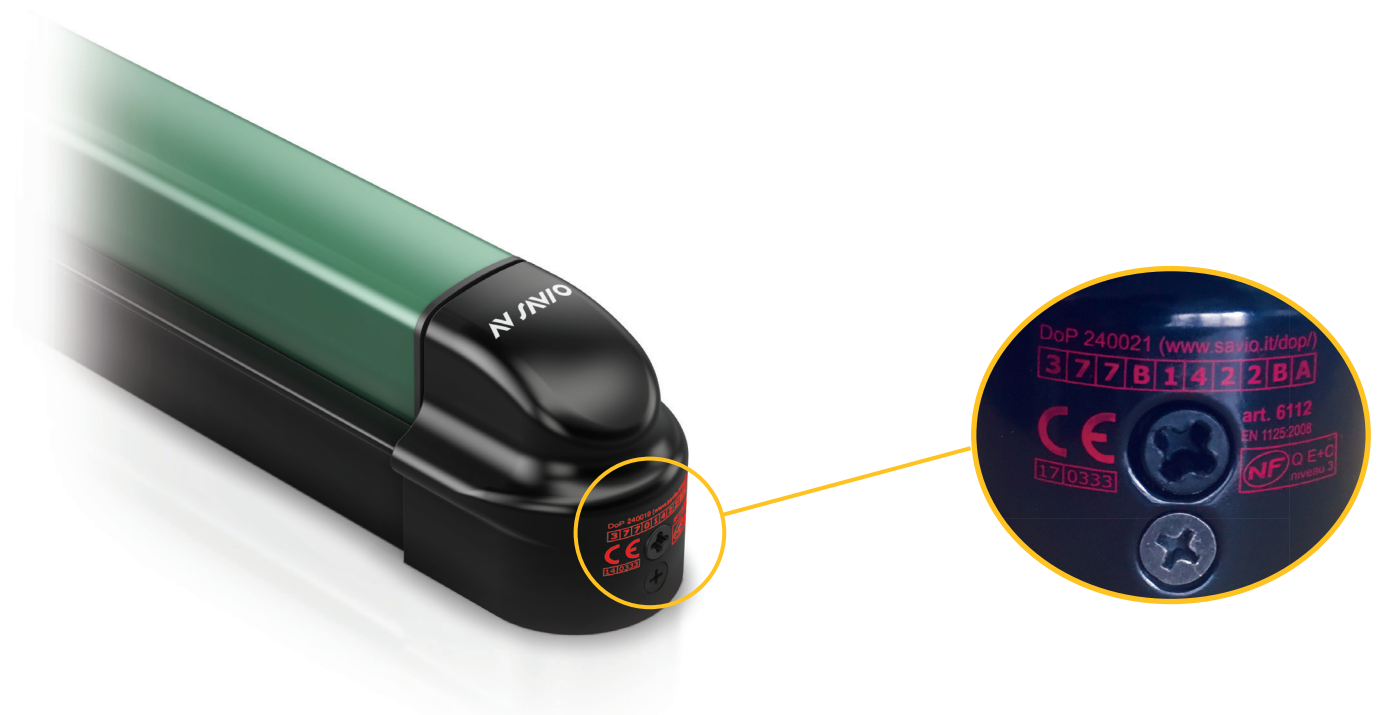
Corrosion resistance:
Grade 3: high resistance (96 hours in salt spray)
Grade 4: very high resistance (240 hours in salt spray)

The tests on **JUVARRA** and **BRUNELLESCHI** for obtaining the EC mark were conducted at the prestigious institute **CETIM CERTEC** in Bourges (France).

The products listed in the certificate ensure a high number of utilization cycles (200,000 cycles) that allow frequent use.

This cyclic performance was achieved on a door weight of 300 kg and up to 1500 mm wide.

This data, combined with other important elements that make it possible to evaluate the performance level of the product, is provided here below.



The various obtainable levels:
(in bold levels obtained by BRUNELLESCHI)

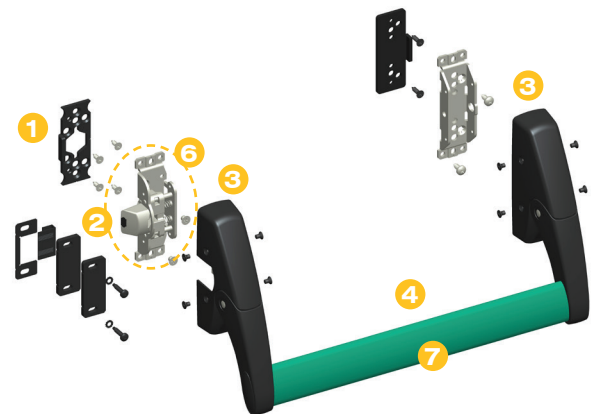
3 7 7 B 1 4 2 2 B A

- Category of use:**
Grade 3: high frequency of use by public
- Durability:**
Grade 6: 100.000 opening/closing cycles
Grade 7: **200,000 opening closing cycles**
- Max. door weight:**
Grade 6: up to 200 kg
Grade 7: **up to 200 kg**
- Suitable for application on fire resistant doors:**
Grade 0 : not suited
Grade **B**: suited for fire resistant doors
- Security:**
Grade 1: the panic bar is safe for users
- Field of application of the door:**
Category A: 1 leaf door, 2 leaf door: active or passive leaf;
Category B: only 1 leaf door
Category C: 2 leaf door, passive leaf only
- Type of bar operation:**
Type A= panic device with push-bar operation
Type **B** = panic device with touch-bar operation
- Bar height with respect to floor surface:**
Grade 1 = up to 150 mm
Grade 2 = **up to 100 mm**
- Anti-burglar safety:**
Grade 2: ensures proper grade of anti-burglar security without impairing operation of the panic device
- Corrosion resistance:**
Grade 3: high resistance (96 hours in salt spray)
Grade 4: **very high resistance (240 hours in salt spray)**

JUVARRA push-bar panic device

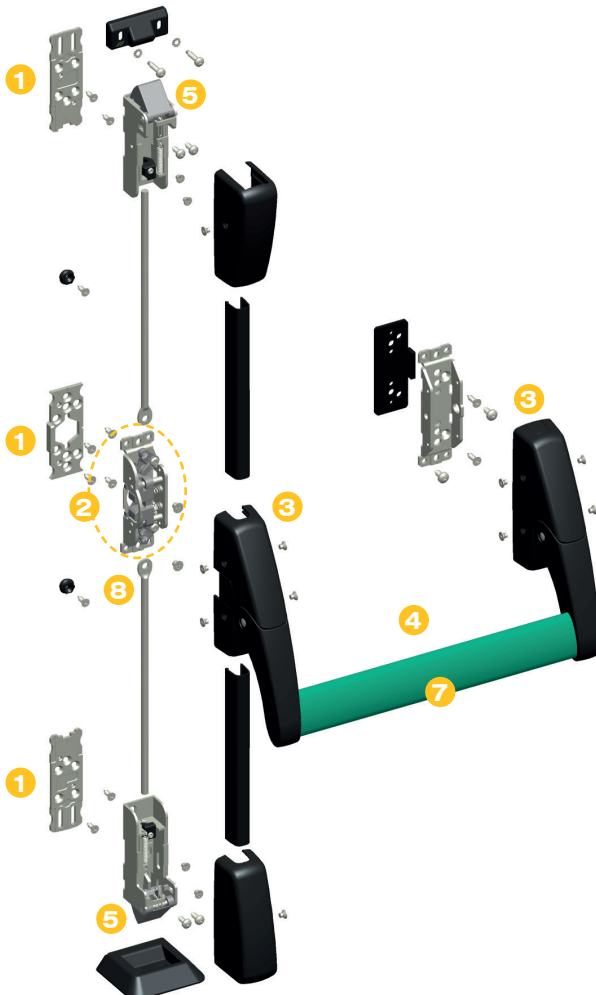
6012.1/1200

Horizontal non-handed panic bar with 1 closing point.



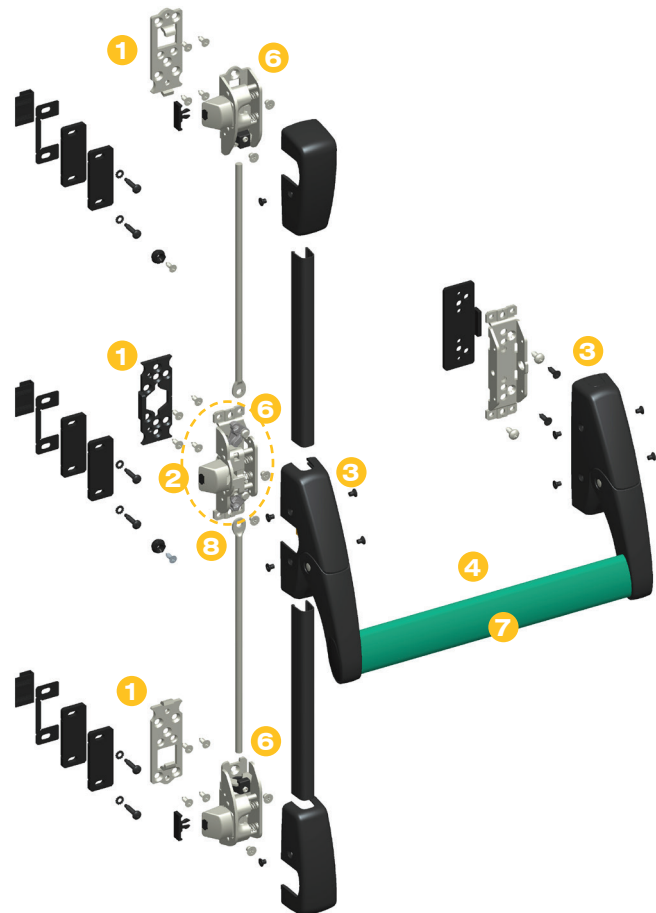
6012.2/1200

Vertical non-handed panic bar with 2 closing points.



6012.3/1200

Vertical non-handed panic bar with side closings and 3 closing points.

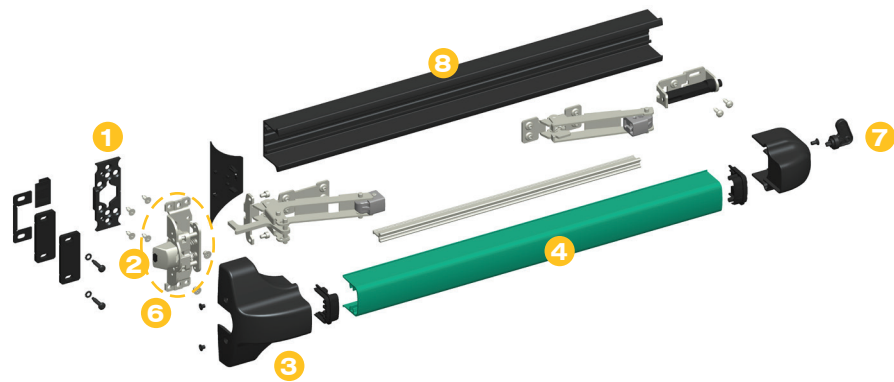


- 1 All supports and latches are screwed onto steel **counterplates** (which can also be welded) for **easy, solid and fast fixing**
- 2 **Completely non-handed mechanism**
- 3 Reduced overall dimensions (**38.5 mm**) for assembly to standard profiles too
- 4 Horizontal bars with side profiles for **better manoeuvrability**
- 5 **Adjustable** high and low latches in stainless steel, **with anti-burglar device**
- 6 **Flat and translating side latches in stainless steel** (top, bottom, middle)
- 7 Horizontal bar to be inserted with **wide machining tolerances**, made of steel with 40-mm oval cross-section
- 8 **Simplified rod coupling**

BRUNELLESCHI touch-bar panic device

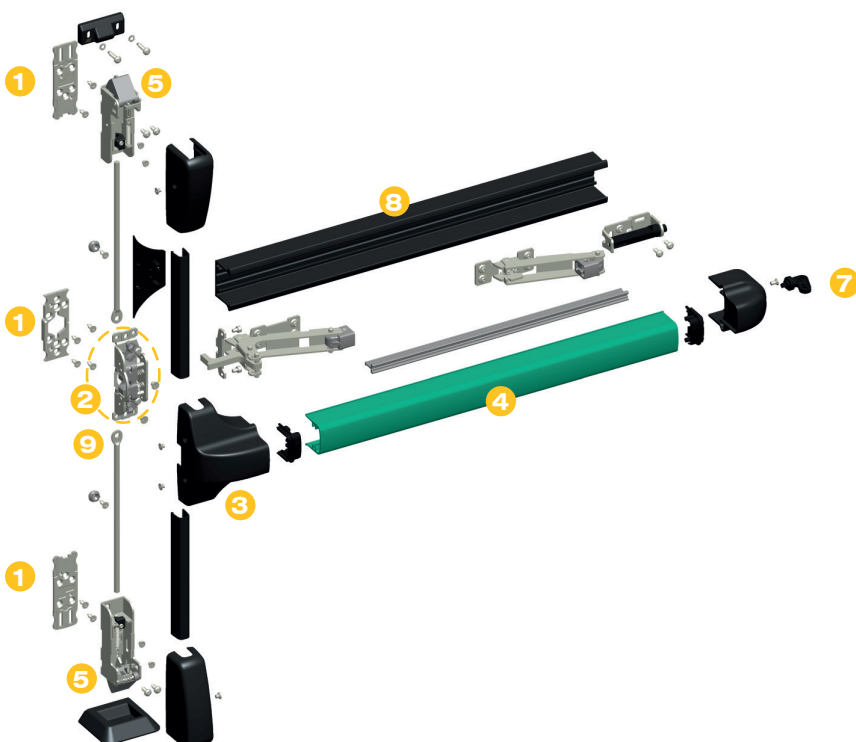
6112.1/1058

Horizontal, non-handed
panic bar with 1 closing point.



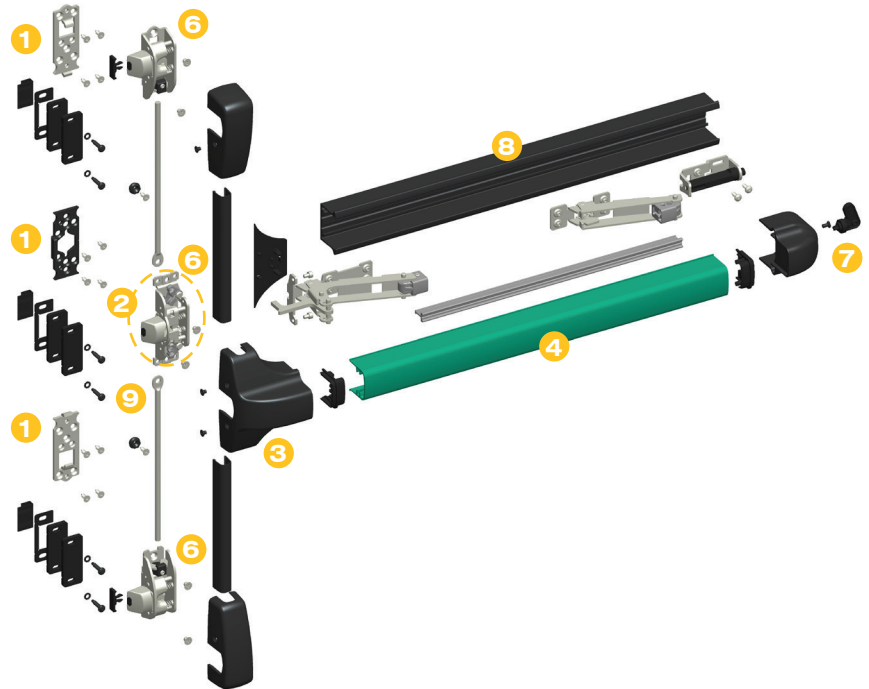
6112.2/1058

Vertical, non-handed
panic bar with 2 closing points.



6112.3/1058

Vertical, non-handed
panic bar with side closings and 3 closing points.



- 1** All supports and latches are screwed onto steel **counterplates** (which can also be welded) for **easy, solid and fast fixing**
- 2** **Completely non-handed mechanism**
- 3** Reduced overall dimensions (**38.5 mm**) for assembly to standard profiles too
- 4** **BioCote® anti-bacterial protections** with silver ions
- 5** **Adjustable** high and low latches in stainless steel, with **anti-burglar device**
- 6** **Lateral latches** in stainless steel (high, low and central) **flat and sliding**
- 7** **Latch retainer** device standard
- 8** Base profile with special shape for optimum grasping of bar
- 9** **Simplified rod coupling**



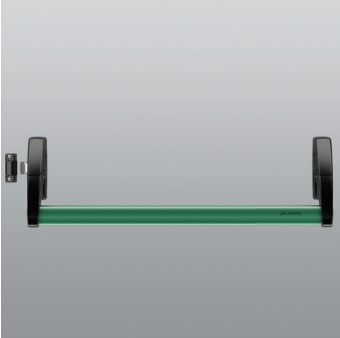
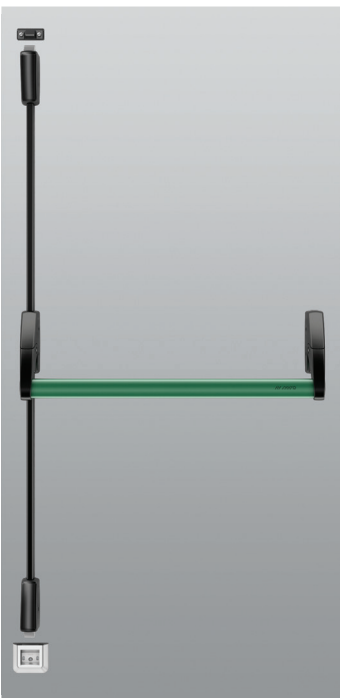
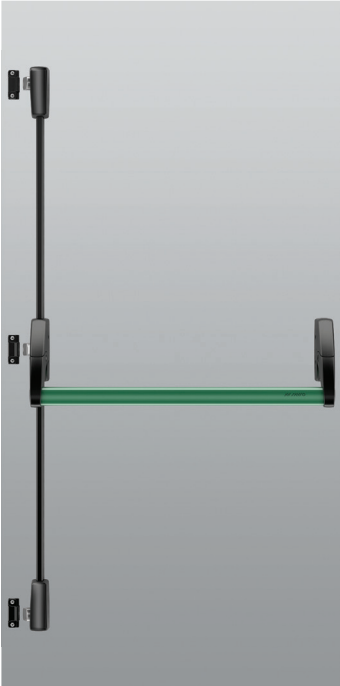
Double leaf.

Translating plate latch:

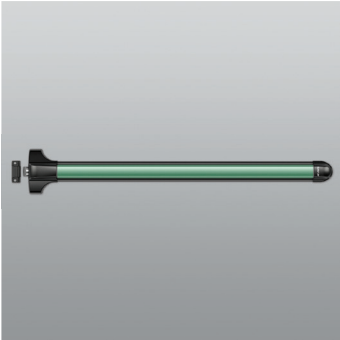
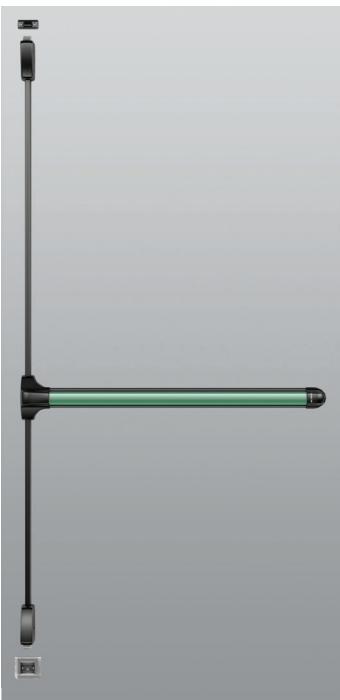
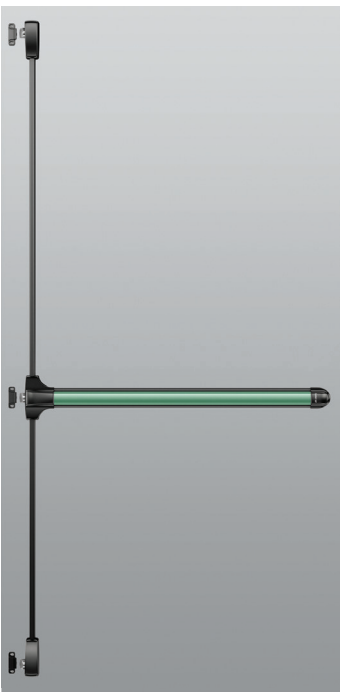
the only solution that completely eliminates any jamming during the opening phase when using two leaves. Moreover, the manoeuvring strain is extremely reduced thanks to the self-lubricating nylon insert.




Complete kits

	<p>Item</p> <p>6012.1/1200</p>	<p>Description</p> <p>JUVARRA (patented) Horizontal non-handed panic bar with 1 locking point, push-bar version, in zamak and galvanised steel. Complete with: latch bolt in stainless steel, 1 counterplate in galvanised steel and 1 counterplate in nylon, 1200 mm bar and 5 keepers in painted steel, 4 countersunk head screws Ø 4.2x13, 2 cap screws 4.2x13, 2 cap screws 4.8x13, 2 countersunk head screws Ø 4.2x16, 2 countersunk head screws M5x6 and 8 countersunk head screws M4x5 in galvanised steel. For doors with a clear width of 800 to 1240 mm and a max. height of 2450 mm.</p>	<p>Pcs.</p> <p>1</p>	<p>Finishes</p> <p>629</p> <p><i>(for description see the legend on page 18)</i></p>
	<p>Item</p> <p>6012.2/1200</p>	<p>Description</p> <p>JUVARRA (patented) Vertical rod non-handed panic bar with 2 locking points, push-bar version, in zamak and galvanised steel. Complete with: 3 counterplates in galvanised steel and 1 counterplate in nylon, 1200 mm bar and 1 keeper in painted steel, 1 floor-mounted keeper in stainless steel, 1 black nylon insert, 1 top rod + 1 bottom rod in aluminium, 1 rod cover of 1449 mm and 1 rod cover of 1037 mm in painted aluminium, 2 adjustable plugs in black galvanised zamak, 2 countersunk head screws Ø 4.2x16, 10 countersunk head screws Ø 4.2x13, 4 cap screws Ø 4.2x13, 2 cap screws Ø 4.2x19, 2 cap screws 4.8x13, 2 countersunk head screws M5x6 and 14 countersunk head screws M4x5 in galvanised steel. For doors with a clear width of 800 to 1240 mm and a max. height of 2450 mm.</p>	<p>Pcs.</p> <p>1</p>	<p>Finishes</p> <p>629</p> <p><i>(for description see the legend on page 18)</i></p>
	<p>Item</p> <p>6012.3/1200</p>	<p>Description</p> <p>JUVARRA (patented) Vertical rod non-handed panic bar with 3 locking points, push-bar version, in zamak and galvanised steel. Complete with: latch bolt in stainless steel, 3 counterplates in galvanised steel and 1 counterplate in nylon, 1200 mm bar and 15 keepers in painted steel, 1 top rod + 1 bottom rod in aluminium, 1 1340 mm rod cover and 1 1037 mm rod cover in painted aluminium, 2 adjustable plugs in black galvanised zamak, 2 countersunk head screws Ø 4.2x16, 14 countersunk head screws Ø 4.2x13, 6 cap screws Ø 4.2x19, 2 cap screws 4.8x13, 6 countersunk head screws M5x6 and 10 countersunk head screws M4x5 in galvanised steel. For doors with a clear width of 800 to 1240 mm and a max. height of 2450 mm.</p>	<p>Pcs.</p> <p>1</p>	<p>Finishes</p> <p>629</p> <p><i>(for description see the legend on page 18)</i></p>



Complete kits

	Item	Description	Pcs.	Finishes
	6112.1/1058	BRUNELLESCHI (patented) Complete horizontal non-handed panic bar with 1 locking point, touch-bar type, in zamak and galvanised steel. Complete with: latch bolt in stainless steel, 1 counterplate in white galvanised steel, 1058 mm bar and 1083 mm base profile in painted aluminium, 993 mm connecting rod in aluminium, 5 keepers in painted stainless steel, 4 countersunk head screws Ø 4.2x13, 4 cap screws 4.2x13, 2 socket head cap screws M5x6, 2 countersunk head screws M5x6, 1 countersunk head screw M4x8 and 2 countersunk head screws M4x5 in galvanised steel. For doors with a clear width of 437 to 860 mm and a max. height of 2450 mm.	1	629 <i>(for description see the legend on page 18)</i>
	6112.2/1058	BRUNELLESCHI (patented) Complete vertical non-handed panic bar with 2 locking points, touch-bar type, in zamak and galvanised steel. Complete with: fixation counterplates in white galvanised steel, 1058 mm bar and 1083 mm base profile in painted aluminium, 993 mm connecting rod in aluminium, 1 top rod + 1 bottom rod in aluminium, 1 rod cover of 1449 mm and 1 rod cover of 1037 mm in painted aluminium, 2 adjustable plugs in black galvanised zamak, 2 keepers in painted zamak, 1 keeper in painted steel, 1 floor-mounted keeper in stainless steel, 1 black nylon insert, 10 countersunk head screws Ø 4.2x13, 6 cap screws 4.2x13, 2 cap screws Ø 4.2x19, 2 socket head cap screws M5x6, 2 countersunk head screws M5x6, 1 countersunk head screw M4x8 and 8 countersunk head screws M4x5 in galvanised steel. For doors with a clear width of 437 to 860 mm and a max. height of 2450 mm.	1	629 <i>(for description see the legend on page 18)</i>
	6112.3/1058	BRUNELLESCHI (patented) Complete vertical non-handed panic bar with 3 locking points, touch-bar type, in zamak and galvanised steel. Complete with: latch bolt in stainless steel, fixation counterplates in white stainless steel, 1058 mm bar and 1083 mm base profile in painted aluminium, 993 mm connecting rod in aluminium, 1 top rod + 1 bottom rod in aluminium, 1 rod cover of 1340 mm and 1 rod cover of 1037 mm in painted aluminium, 2 adjustable plugs in black galvanised zamak, 15 keepers in painted stainless steel, 14 countersunk head screws Ø 4.2x13, 2 cap screws 4.2x13, 2 socket head cap screws M5x6, 6 countersunk head screws M5x6, 1 countersunk head screw M4x8 and 4 countersunk head screws M4x5 in galvanised steel. For doors with a clear width of 437 to 860 mm and a max. height of 2450 mm.	1	629 <i>(for description see the legend on page 18)</i>

External access devices


	Item	Description	Pcs.	Finishes
	6010.870	External access device, handle only, and grip in painted zamak, square spindle, 1 socket head cap screw M5x30 in white galvanised steel + 2 countersunk head screws M5x80 in black galvanised steel.	1	905, 910, GREY, SLV <i>(for description see the legend on page 18)</i>
	Item	Description	Pcs.	Finishes
	6010.873	External access device, idle handle, in painted zamak and galvanized steel, handle grip in zamak, shaped cylinder with different key combinations, 3 nickel plated keys, squared spindle in white galvanized steel, 2 countersunk head screw M5x80 in galvanized steel.	1	905, 910, GREY, SLV <i>(for description see the legend on page 18)</i>
	6010.874	Like 6010.873 but with single key combination.	1	
	Item	Description	Pcs.	Finishes
	6010.875	External access device, idle handle, in painted zamak and galvanised steel, painted die-cast aluminium grip, European profile cylinder with different key combinations + 3 nickel plated keys, square spindle in white galvanised steel, 1 protection cap for transportation on site in plastic material, 1 security cap in steel, 1 socket head cap screw M5x30 in white galvanised steel + 2 countersunk head screws M5x80 in black galvanised steel. With "cylinder unlocked key retention device".	1	905, 910, GREY, SLV <i>(for description see the legend on page 18)</i>
	6010.877	Like 6010.875 but with single key combination.	1	
	Item	Description	Pcs.	Finishes
	6010.876	External access device, idle handle, in painted zamak and galvanised steel, painted die-cast aluminium grip, without cylinder, square spindle in galvanised steel, 1 protection cap for transportation on site in plastic material, 1 security cap in steel, 1 socket head cap screw M5x30 in white galvanised steel + 2 countersunk head screws M5x80 in black galvanised steel. With "cylinder unlocked key retention device".	1	905, 910, GREY, SLV <i>(for description see the legend on page 18)</i>
	Item	Description	Pcs.	Finishes
	6000.879	External access device with reduced size handle, in painted zamak and galvanised steel, painted die-cast aluminium grip, European profile cylinder with different key combinations + 3 nickel plated keys, square spindle in white galvanised steel, 1 socket head cap screw M5x12 in white galvanised steel + 2 countersunk head screws M5x80 in black galvanised steel. With "cylinder unlocked key retention device". To use with art. 6010.401.	1	905 <i>(for description see the legend on page 18)</i>

External access devices

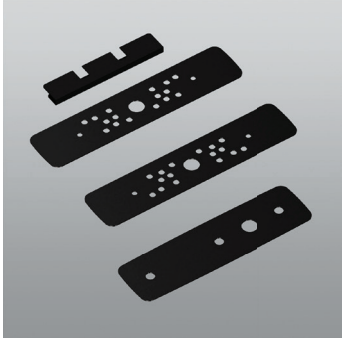




	Item	Description	Pcs.	Finishes
	6000.880	Outside access device in painted zamak and galvanised steel, fixed handle with knob, European profile cylinder with different key combinations + 3 nickel plated keys, square spindle in galvanised steel, 2 countersunk head screws M5x80 in black galvanised steel. Preferably for use with the 1 locking point version. To use with art. 6010.401.	1	905, 910, GREY, SLV <i>(for description see the legend on page 18)</i>
	6010.890	Electrical external access device, idle handle, in painted zamak and galvanized steel, handle grip in die-cast painted zamak, European profile cylinder with different key combinations, 3 nickel plated keys, squared spindle in white galvanized steel, 1 socket head cap screw M5x40 in nickel plated steel, 2 countersunk head screw M5x70 in galvanized steel. To use with art. 6010.401.	1	90BI, 90GR, 90NE <i>(for description see the legend on page 18)</i>

It is also possible to use an alternative the external access devices from the BERNINI/CELLINI range art. 6000.870/.873/.874/.875/.876/.877 with cam art. 6010.401 (shown below).

Complementary accessories

	Item	Description	Pcs.	Finishes
	6010.401	Cam in brass to use external access devices art. 6000.870/.873/.874/.875/.876/.877/.879/.880 on JUVARRA/BRUNELLESCHI panic-device system.	5	
	6010.842	1 Microswitch and 1 black nylon support, 1 cap screw Ø 2.2x13 in galvanised steel and 1 cap scap screw Ø 3.9x19 in stainless steel. For JUVARRA panic bars.	5	
	6110.842	1 Microswitch, 1 support and 1 button in black nylon, 1 cap screw Ø 2.2x13 in galvanised steel, for BRUNELLESCHI panic bars. For doors with a clear minimum width of 485 mm.	5	

Complementary accessories

	<table border="1"> <thead> <tr> <th>Item</th> <th>Description</th> <th>Pcs.</th> <th>Finishes</th> </tr> </thead> <tbody> <tr> <td>6010.899</td> <td>Cover machining plate kit in coated steel in case of use of JUVARRA to replace any other handle previously installed on the door. To combine with art. 6012.1/1200.</td> <td>5</td> <td></td> </tr> </tbody> </table>	Item	Description	Pcs.	Finishes	6010.899	Cover machining plate kit in coated steel in case of use of JUVARRA to replace any other handle previously installed on the door. To combine with art. 6012.1/1200.	5			
Item	Description	Pcs.	Finishes								
6010.899	Cover machining plate kit in coated steel in case of use of JUVARRA to replace any other handle previously installed on the door. To combine with art. 6012.1/1200.	5									
	<table border="1"> <thead> <tr> <th>Item</th> <th>Description</th> <th>Pcs.</th> <th>Finishes</th> </tr> </thead> <tbody> <tr> <td>6000.890</td> <td>JUVARRA exit sign plate.</td> <td>10</td> <td></td> </tr> </tbody> </table>	Item	Description	Pcs.	Finishes	6000.890	JUVARRA exit sign plate.	10			
Item	Description	Pcs.	Finishes								
6000.890	JUVARRA exit sign plate.	10									
	<table border="1"> <thead> <tr> <th>Item</th> <th>Description</th> <th>Pcs.</th> <th>Finishes</th> </tr> </thead> <tbody> <tr> <td>6100.890</td> <td>BRUNELLESCHI exit sign plate.</td> <td>10</td> <td></td> </tr> </tbody> </table>	Item	Description	Pcs.	Finishes	6100.890	BRUNELLESCHI exit sign plate.	10			
Item	Description	Pcs.	Finishes								
6100.890	BRUNELLESCHI exit sign plate.	10									
	<table border="1"> <thead> <tr> <th>Item</th> <th>Description</th> <th>Pcs.</th> <th>Finishes</th> </tr> </thead> <tbody> <tr> <td>6000.897</td> <td>Fastening kit for external access device for profiles with section up to 100 mm, 1 squared spindle of 8 mm in white galvanized steel, 2 countersunk head screw M5x110 in white galvanized steel.</td> <td>20</td> <td></td> </tr> </tbody> </table>	Item	Description	Pcs.	Finishes	6000.897	Fastening kit for external access device for profiles with section up to 100 mm, 1 squared spindle of 8 mm in white galvanized steel, 2 countersunk head screw M5x110 in white galvanized steel.	20			
Item	Description	Pcs.	Finishes								
6000.897	Fastening kit for external access device for profiles with section up to 100 mm, 1 squared spindle of 8 mm in white galvanized steel, 2 countersunk head screw M5x110 in white galvanized steel.	20									
	<table border="1"> <thead> <tr> <th>Item</th> <th>Description</th> <th>Pcs.</th> <th>Finishes</th> </tr> </thead> <tbody> <tr> <td>6000.952</td> <td>Aluminium drilling jig for external access devices art. 6010.875/.876/.877 and 6000.875/.876/.877/.879/.880.</td> <td>1</td> <td></td> </tr> </tbody> </table>	Item	Description	Pcs.	Finishes	6000.952	Aluminium drilling jig for external access devices art. 6010.875/.876/.877 and 6000.875/.876/.877/.879/.880.	1			
Item	Description	Pcs.	Finishes								
6000.952	Aluminium drilling jig for external access devices art. 6010.875/.876/.877 and 6000.875/.876/.877/.879/.880.	1									

Legend of ANTIBACTERIAL painted finishes

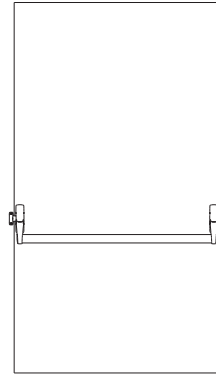
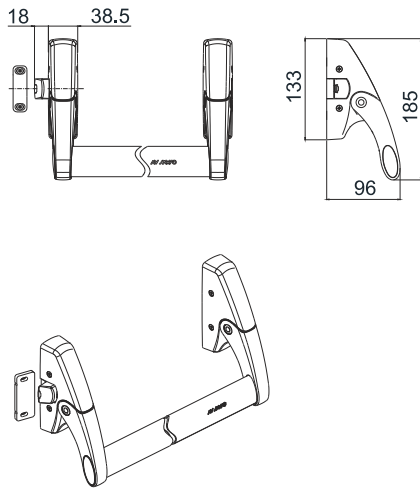
Code	Description
301	black supports, red bar
629	black supports, green bar
905	black powder coated
910	white powder coated
SLV	silver powder coated

Legend of the other finishes

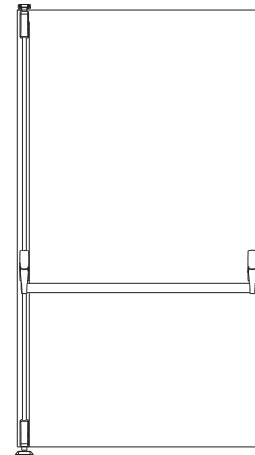
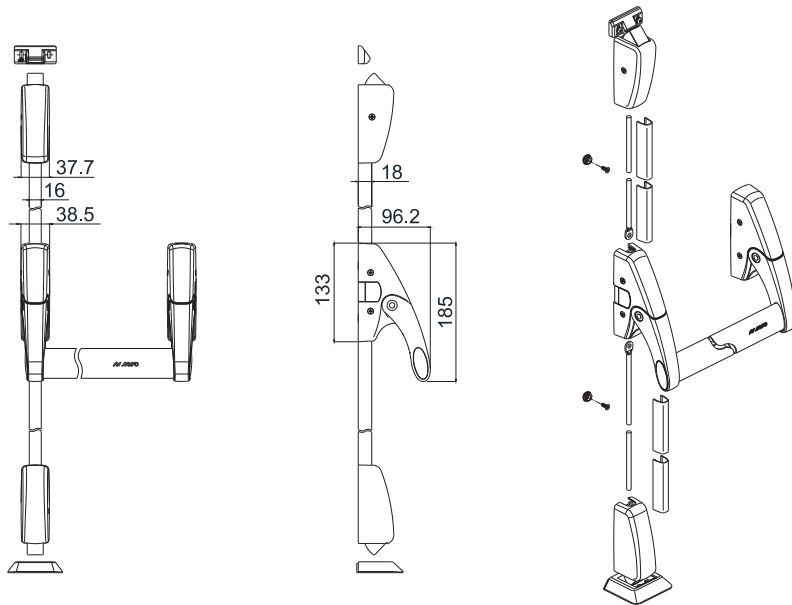
Code	Description
GREY	silver powder coated
S	satin finished stainless steel
XSD	satin steel
90BI	white powder coated
90GR	grey powder coated
90NE	black powder coated

Complete kits JUVARRA

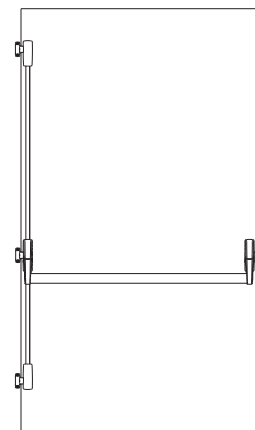
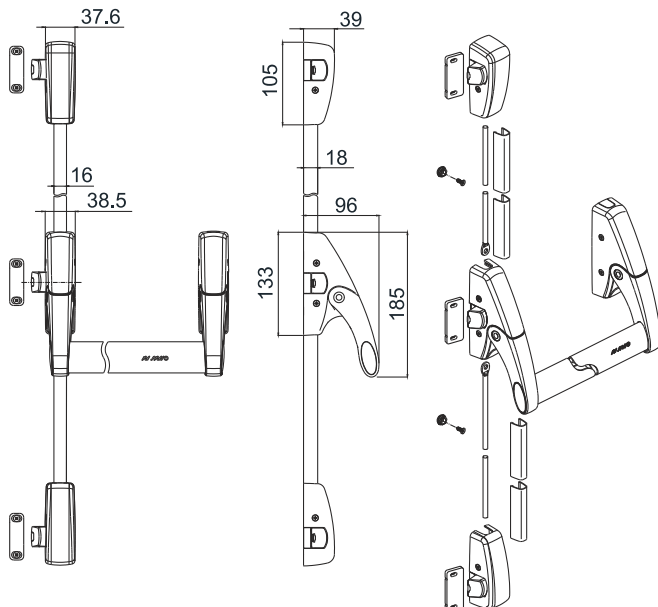
6012.1/1200



6012.2/1200

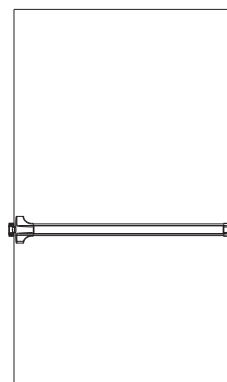
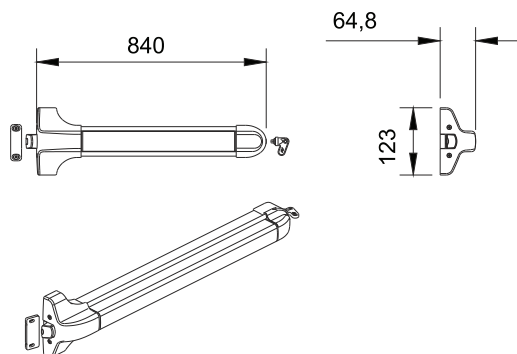


6012.3/1200

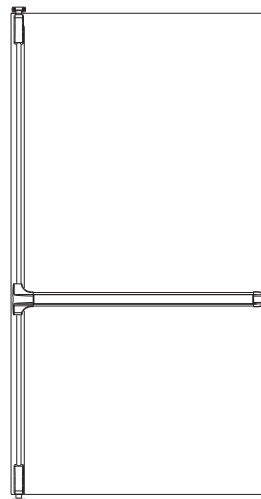
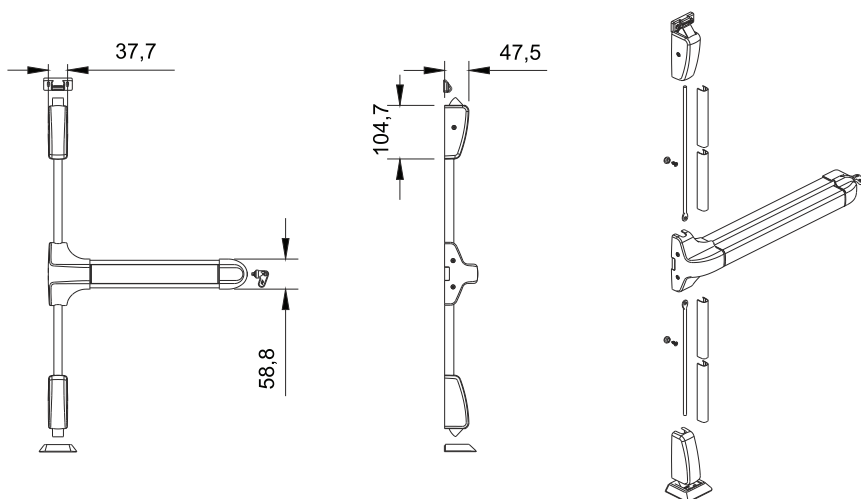


Complete kits BRUNELLESCHI

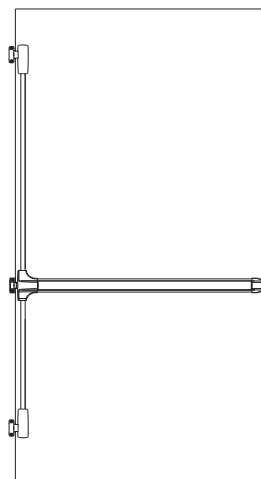
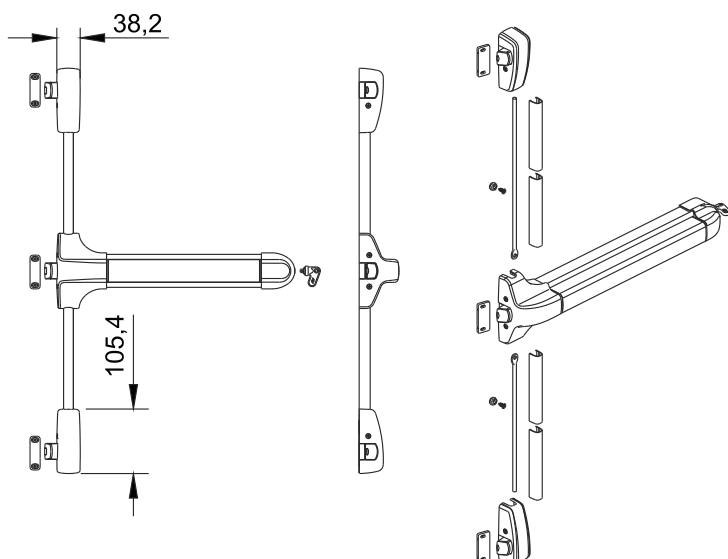
6112.1/1058



6112.1/1058

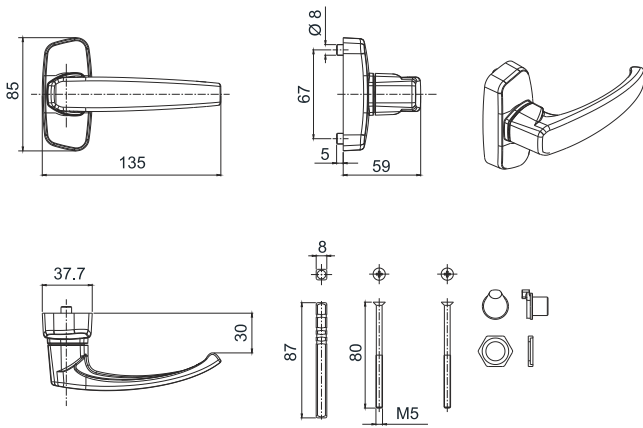


6112.3/1058

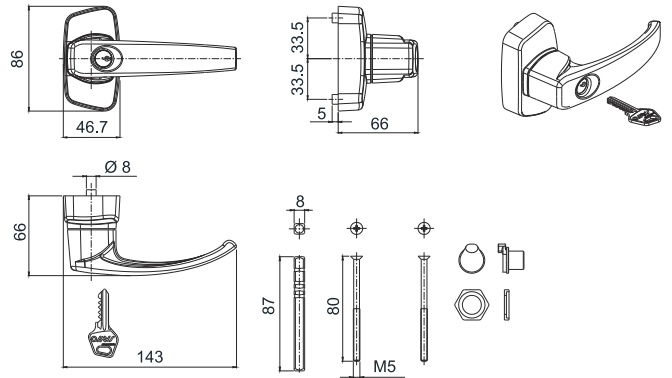


External access devices

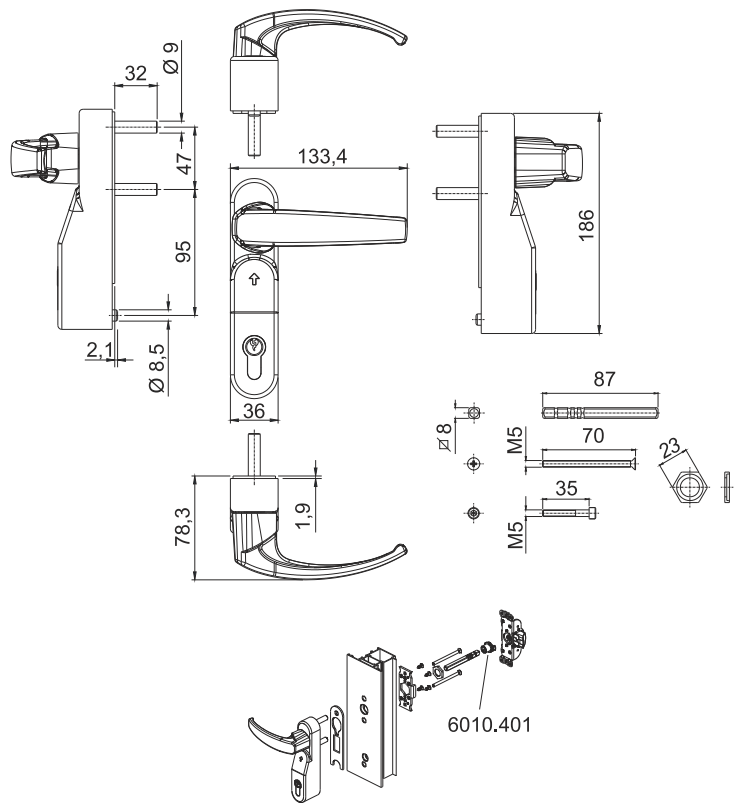
6010.870



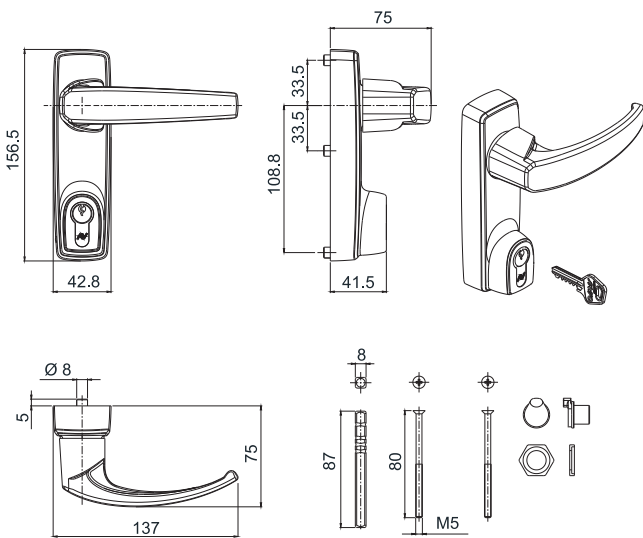
6010.873 - 6010.874



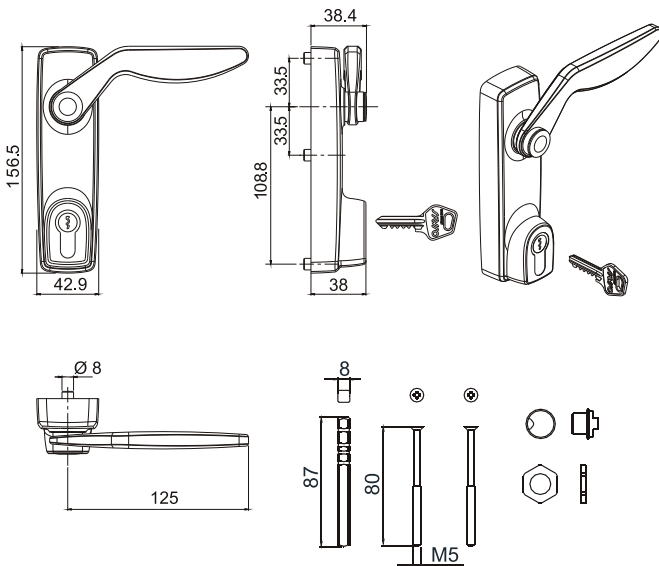
6010.890



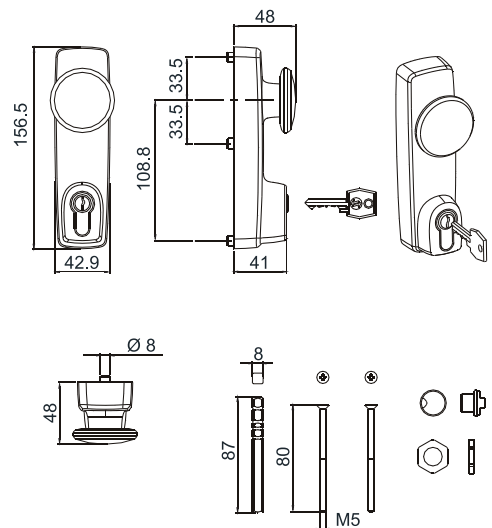
6010.875 - 6010.876 - 6010.877



6000.879

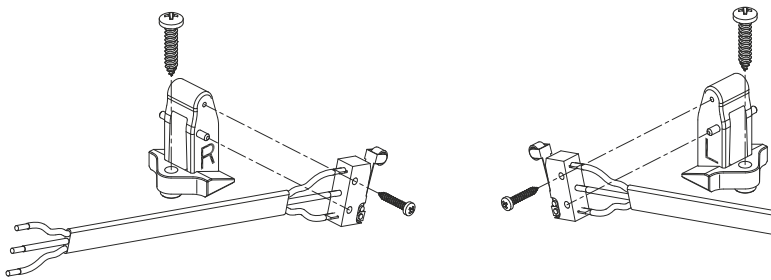


6000.880

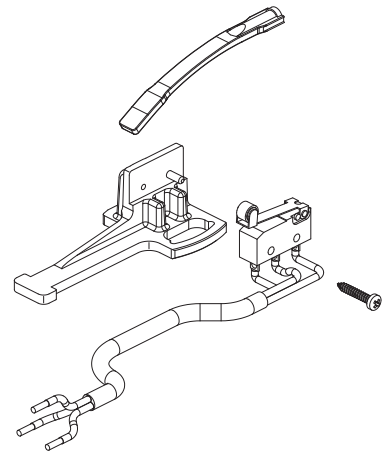


Complementary accessories

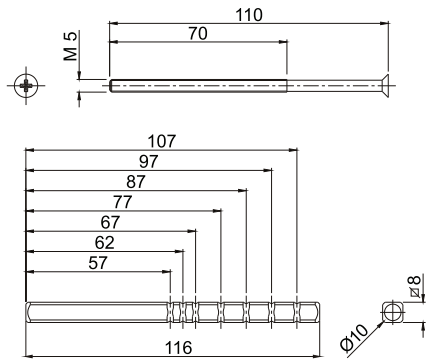
6010.842



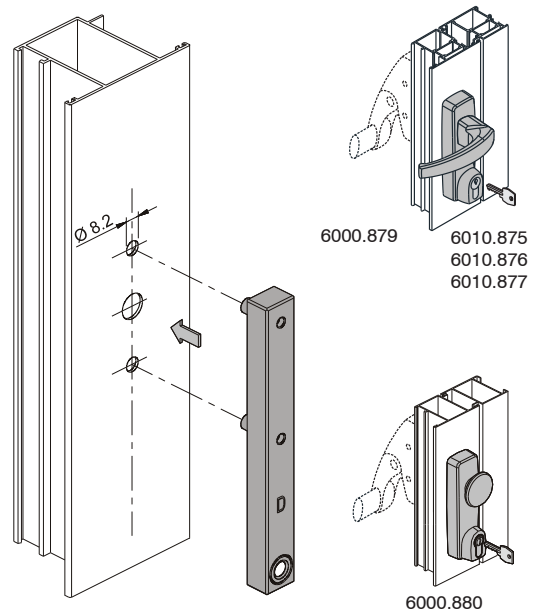
6110.842



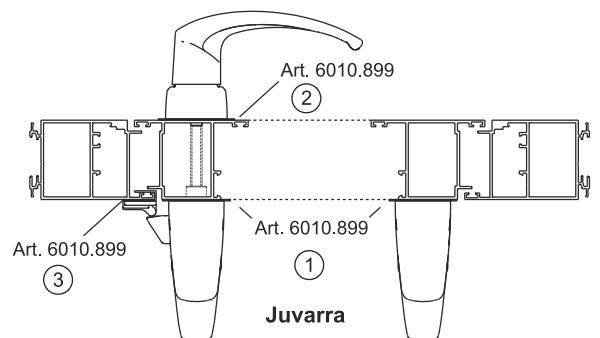
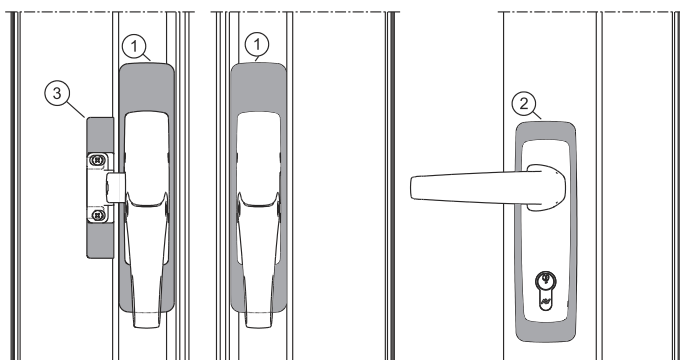
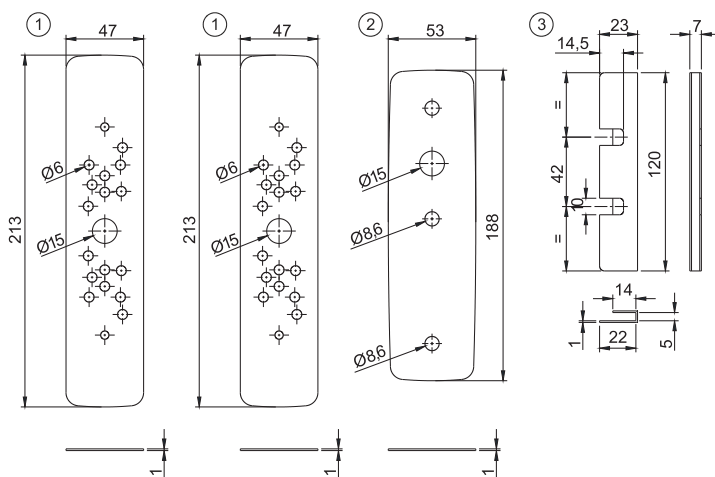
6000.897



6000.952



6010.899





Savio S.p.A.
Via Torino, 25 (S.S. 25) - 10050 Chiusa S. Michele (TO)
Tel. +39 011 964 34 64 - Fax +39 011 964 34 74
www.savio.it - export@savio.it

