

# ARM STAYS



## ARM STAYS

- High performance
- Long lasting
- Easy to install
- Lock in opening position
- Releasable, with dampening effect

MARCO INOX, PIOVRA, PIOVRADUE and PIOVRATRE, DAMPING-EFFECT OPENING LIMITERS: all in stainless steel, the right solution for all application requirements.

# Top-hung

The releasable arm stay MARCO INOX allows the sash to be reclosed also from any intermediate opening position.

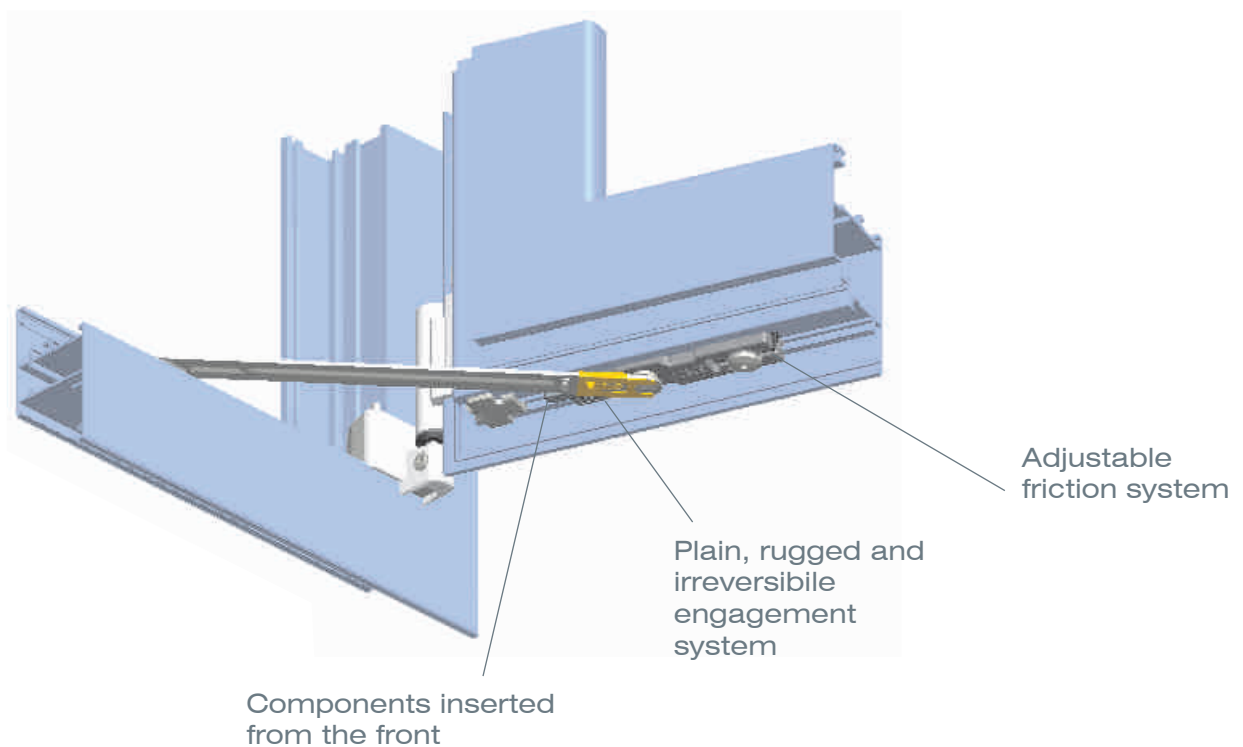
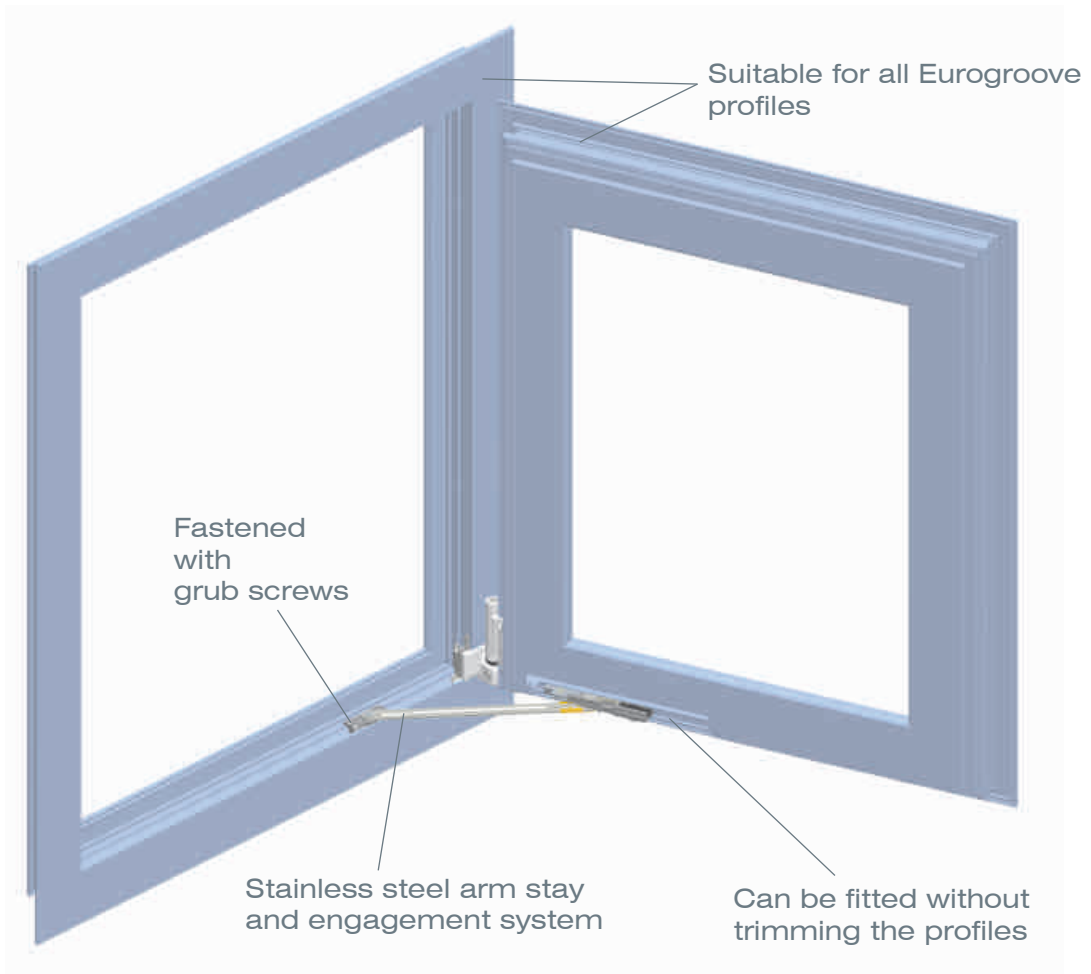
# Bottom-hung

Various versions of arm stays for installation either on mullions or transoms, with weight capacities up to 70 Kg. They can all be removed or fitted without machining operations.

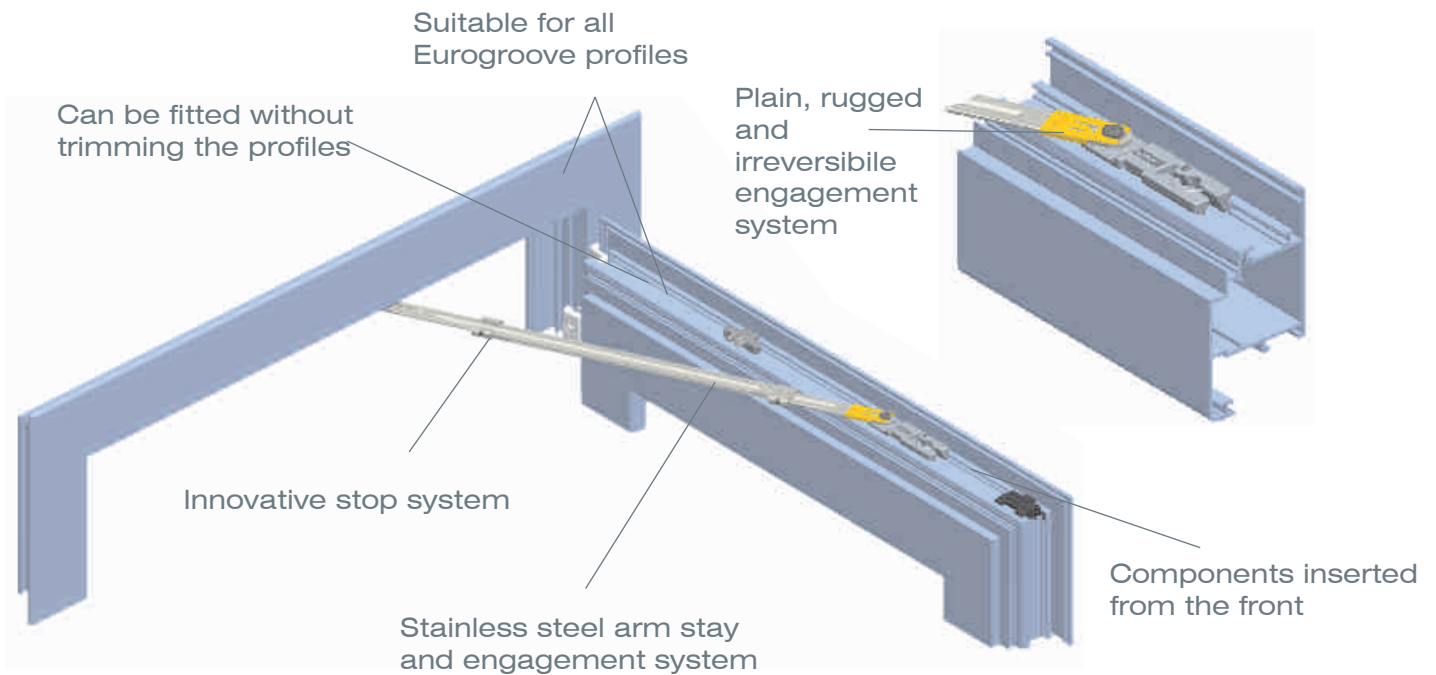
# Side-hung

Three versions, with dampening effect and plain stop or else frictioned, they can all be released with an easy operation.

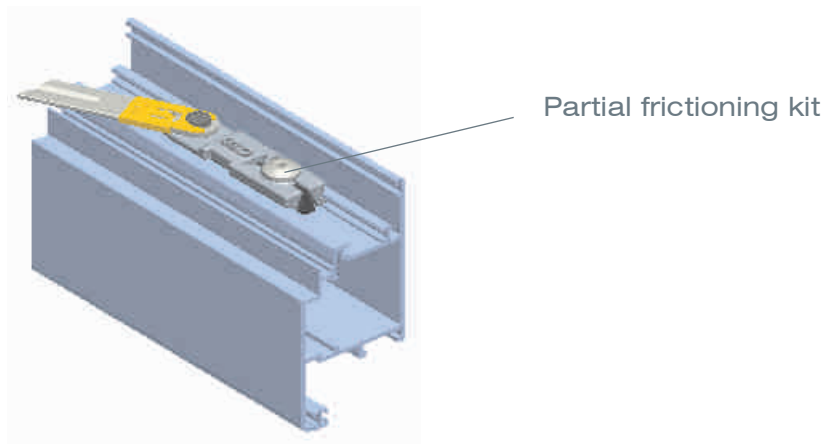
# New frictioning opening limiter arm stay art. 1343.8R/20 - 1343.8L/20 for windows



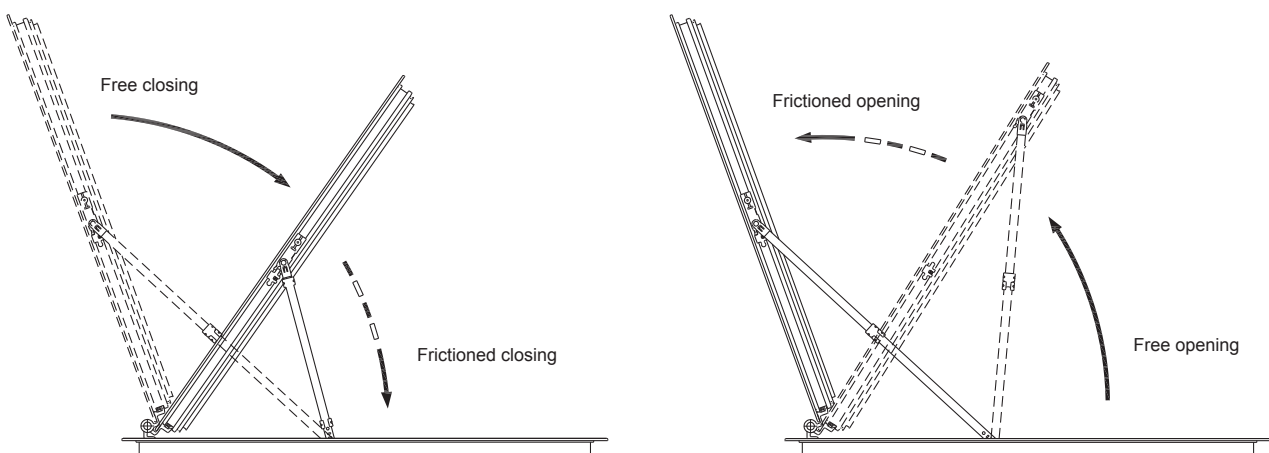
## New opening limiter arm stay art. 1343.8R/60 - 1343.8L/60 for doors with window profiles



## Art. 1343.801



## Frictioning system



## Arm stays for bottom hung casement



Art.	Description	Pz.
<b>1341</b>	(patented) Releasable arm stay in stainless steel 304, zamak counterplates, 4 preassembled grub screws M5x6 in galvanized steel. For Euro groove/NC International profiles and for grooves 10x14,3-12x15-14x18-12,5x16,5-13,5x16,5. Weight capacity: 2 arms 70 Kg.	20
<b>1341.2</b>	(patented) Releasable arm stay in stainless steel 304, zamak counterplates, 4 preassembled grub screws M5x6 in galvanized steel. For R40/New Tec profiles and for grooves 15x18. Weight capacity: 2 arms 70 Kg.	20



Art.	Description	Pz.
<b>1342.3</b>	(patented) Releasable arm stay in stainless steel 304, counterplates in black galvanized zamak, 2 cap screws Ø 4.8x13 in stainless steel 304, 2 nylon spacers, 2 preassembled grub screws M5x6 in galvanized steel. Weight capacity: 2 arms 70 Kg.	20



Art.	Description	Pz.
<b>1344</b> <b>1344.1</b> <b>1344.4</b>	(patented) Releasable arm stay in stainless steel 304, counterplates in black galvanized zamak, 2 grub screws M5x6 and 2 grub screws M5x10, pre-assembled, in stainless steel. Weight capacity: 2 arms 70 Kg.	20
<b>1344.2</b> <b>1344.3</b>	(patented) Releasable arm stay in stainless steel 304, counterplates in black galvanized zamak, 4 grub screws M5x6, pre-assembled, in stainless steel. Weight capacity: 2 arms 70 Kg.	20



Art.	Description	Pz.
<b>1345</b>	Horizontal releasable arm stay for bottom hung casement in stainless steel 304, galvanized zamak base, 2 stainless steel 303 grub screws, 1 grub screw M5x6 and 2 grub screws M5x10 in stainless steel, 1 nylon sliding guide, 1 nylon stopping block. Fit for profiles with clearance mm 21 ÷ 31,5. Application field: Upper side horizontal assembly. Casement minimum height: 400 mm - Maximum width: until 1200 mm with 1 arm, up to 1200 mm with 2 arms. Bottom hung casement maximum opening: 200 mm. Groove of the leaf: 20 or 23 mm. Weight capacity: 1 arm 50 Kg., 2 arms 70 Kg.	20

## Arms for top hung casement



Art.	Description	Pz.
<b>1307</b>	Adjustable multiposition arm for top hung casement opening out, in stainless steel 430, 2 hinge pivots (5.5 mm) and 1 nylon spacer (4 mm), 4 countersunk head screws Ø 4.8x25 in stainless steel 304. Suitable for profiles with clearance of 13-18 mm. Weight capacity: 2 arms 70 Kg.	20
<b>1307.1</b>	Adjustable multiposition arm for top hung casement opening out, in stainless steel 430, 2 hinge pivots (9 mm) and 2 nylon spacer (4 mm), 4 countersunk head screws Ø 4.8x25 in stainless steel 304. Suitable for profiles with clearance of 21-30 mm. Weight capacity: 2 arms 70 Kg.	20



Art.	Description	Pz.
<b>1307.8</b>	Pair of adjustable two-position arms (LH+RH) for top hung casement opening out, with open position stop device, in stainless steel 316. Suitable for profiles with clearance of 16,5 mm.	5 cp.

## Opening limiter arm stays



Art.	Description	Pz.
<b>1343.1</b>	Damping-effect opening restrictor arm in zamak, nylon, polyurethane and stainless steel 304, 2 grub screws M5x10 and M5x12, pre-assembled, in stainless steel 304.	10



Art.	Description	Pz.
<b>1343.2</b>	Damping-effect opening restrictor arm in zamak, nylon, polyurethane and stainless steel 304, 2 grub screws M5x8 in galvanized steel and 2 M5x12 in stainless steel 304.	10
<b>1343.3</b>	Damping-effect opening restrictor arm in zamak, nylon, polyurethane and stainless steel 304, 2 grub screws M5x6 and 2 grub screws M5x8, pre-assembled, in galvanized steel.	10

## Opening limiter arm stays



Art.	Description	Pz.
<b>1343.4</b>	Damping-effect opening limiter arm stay in black galvanized zamak, polyurethane and stainless steel 304, 2 grub screws M5x8 and 2 pre-assembled grub screws M5x12 in stainless steel 304.	10



Art.	Description	Pz.
<b>1343.8L/20</b>	LH frictioning opening limiter arm stay, 20 cm, in zamak, nylon and stainless steel 304, 3 preassembled grub screws M5x12 in stainless steel 304.	20
<b>1343.8R/20</b>	Like 1343.8L/20 but right hand.	20

NEW!



Art.	Description	Pz.
<b>1343.8L/60</b>	LH opening limiter arm stay, 60 cm, in zamak, nylon and stainless steel 304, 3 preassembled grub screws M5x12 in stainless steel 304.	20
<b>1343.8R/60</b>	Like 1343.8L/60 but right hand.	20

NEW!

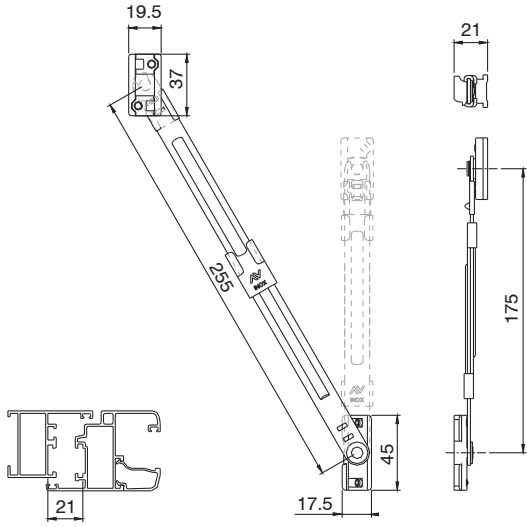


Art.	Description	Pz.
<b>1343.801</b>	Partial frictioning kit for art. 1343.8R/60 – 1343.8L/60, in nylon, 1 screw M5x9 in stainless steel 304.	40

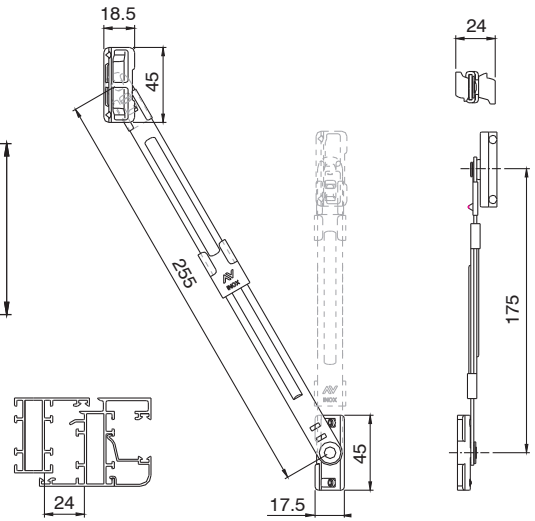
NEW!

Arm stays for bottom hung casement

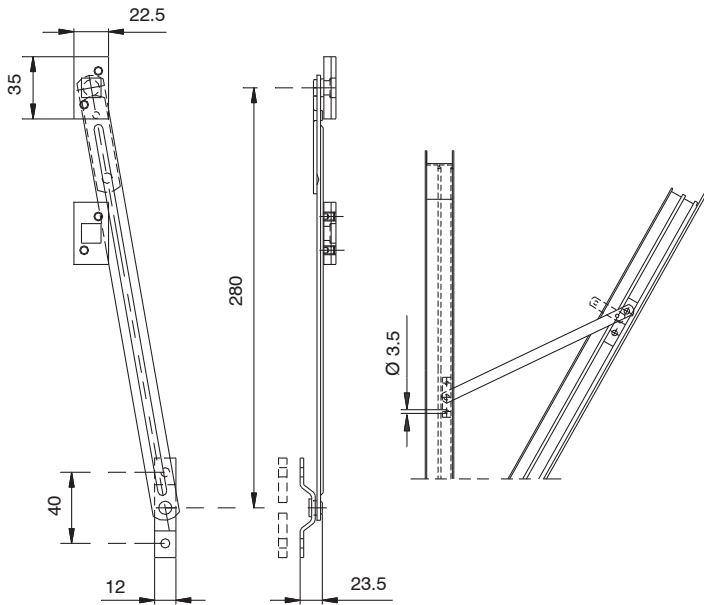
1341



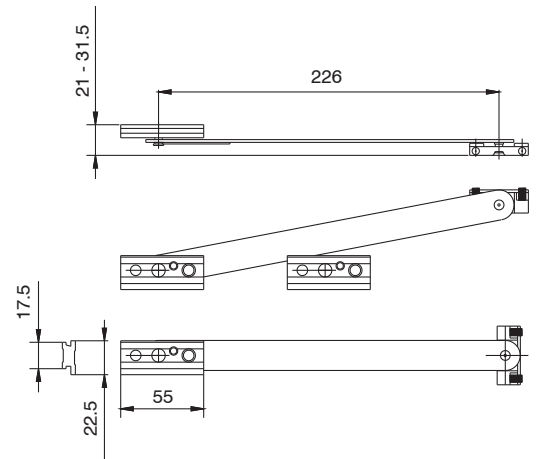
1341.2



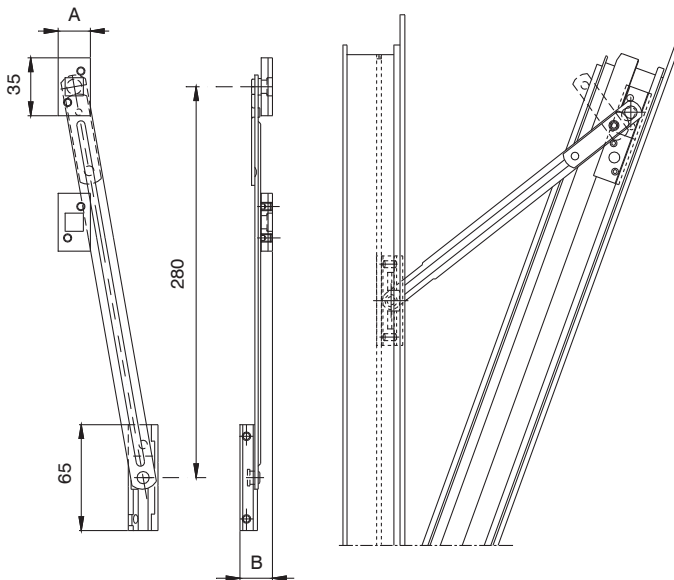
1342.3



1345



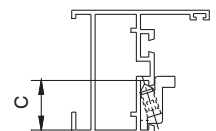
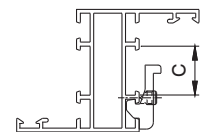
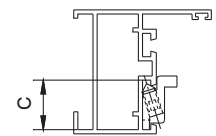
1344/.1/.2/.3/.4



Art.	A	B	C
1344	19.5	20.5	16.5-18
1344.1	19.5	30	20

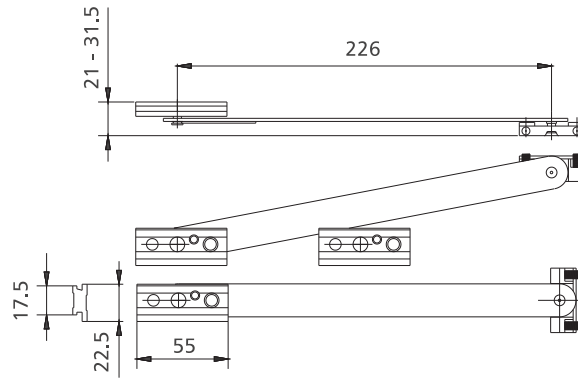
Art.	A	B	C
1344.2	17.8	23.5	18
1344.3	22.5	23.5	23

Art.	A	B	C
1344.4	19.5	20.5	14.3-15-16.5



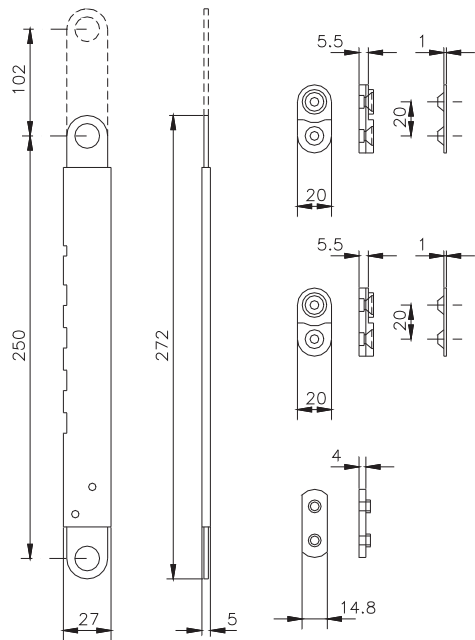


Arm stays for bottom hung casement

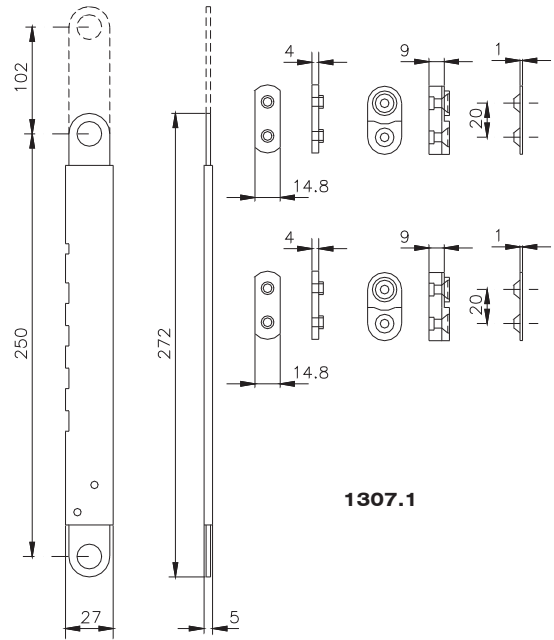


1345

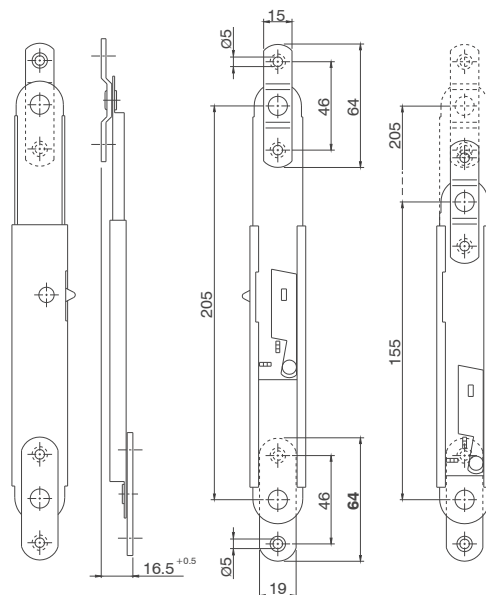
Arms for top hung casement



1307



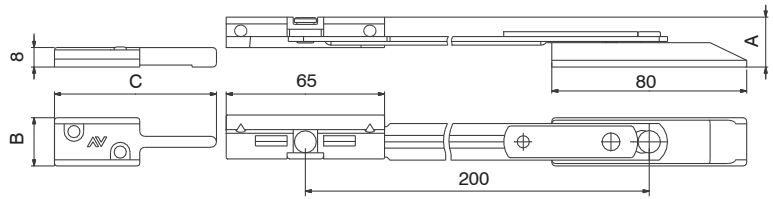
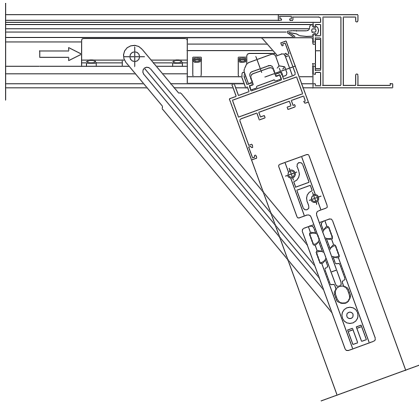
1307.1



1307.8

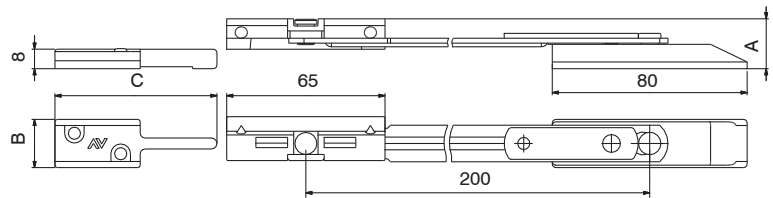
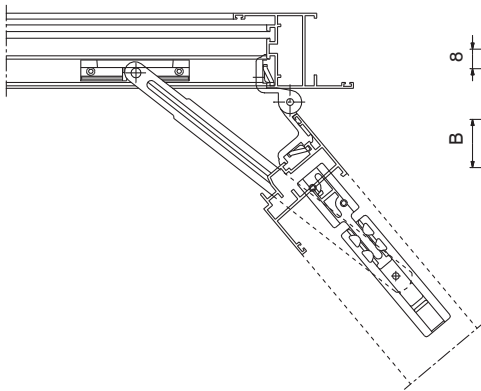
## Opening limiter arm stays

1343.1



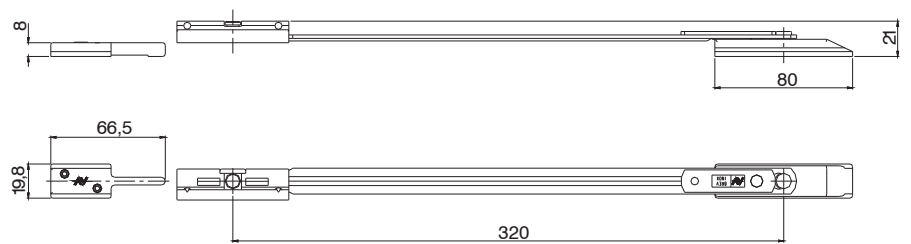
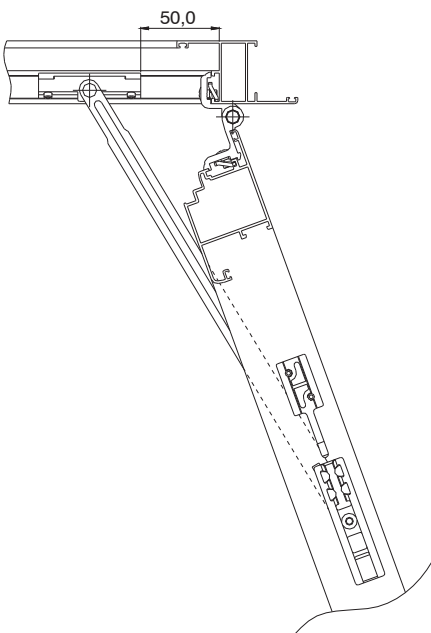
Art.	A	B	C
1343.1	31,5	19,8	83

1343.2/3



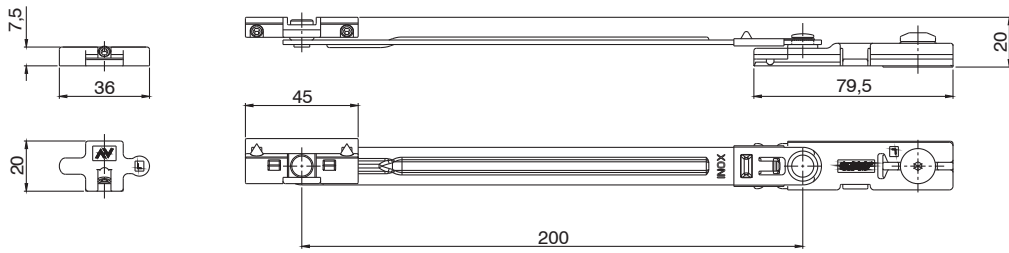
Art.	A	B	C
1343.2	21	19,8	66,5
1343.3	24	17,8	66,5

1343.4

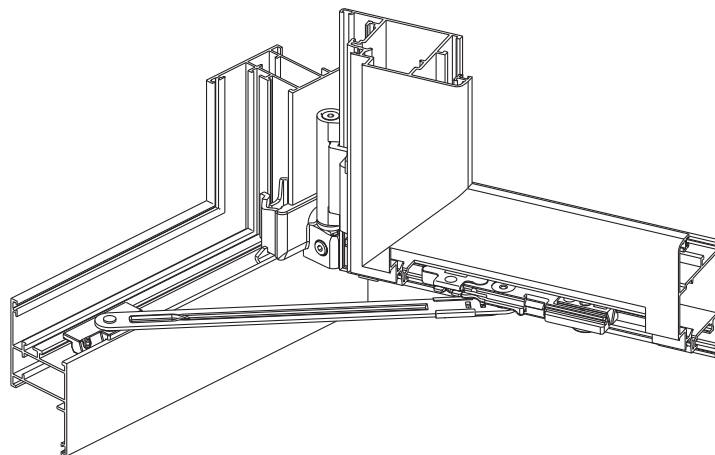
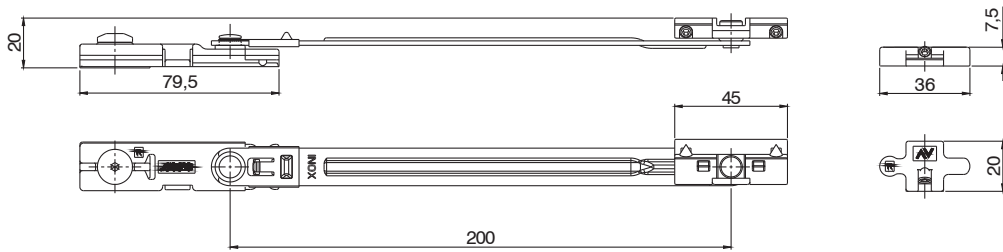


Opening limiter arm stays

1343.8L/20

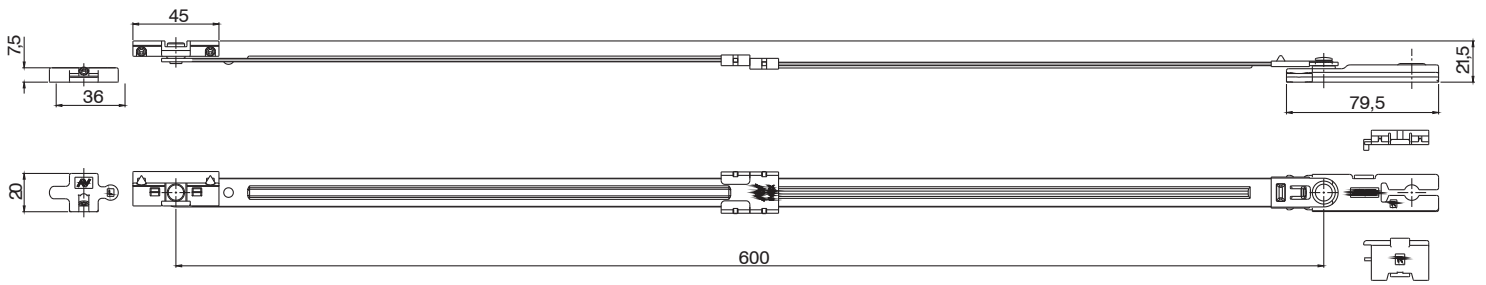


1343.8R/20

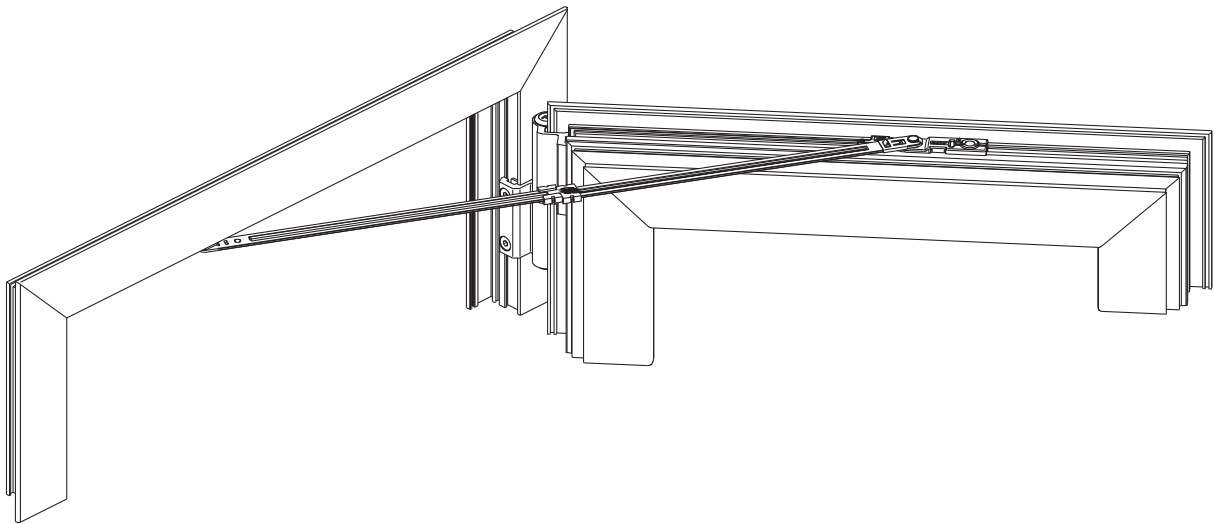
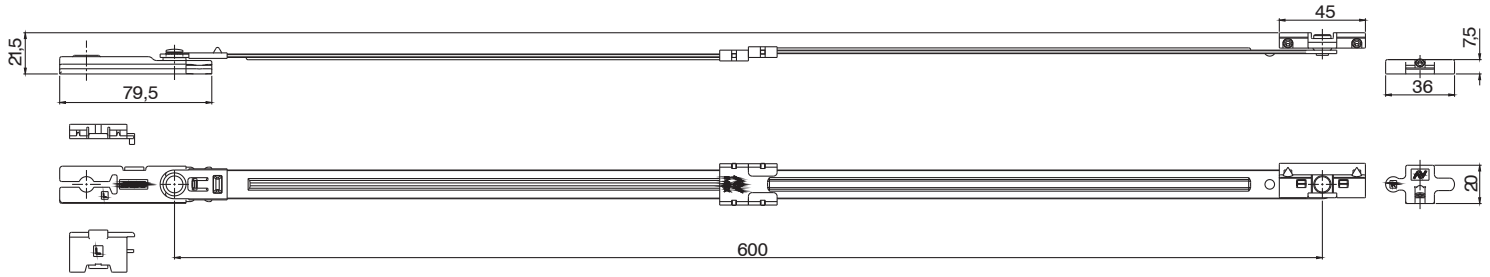


Opening limiter arm stays

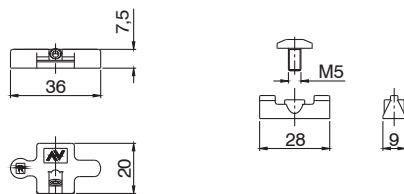
1343.8L/60



1343.8R/60



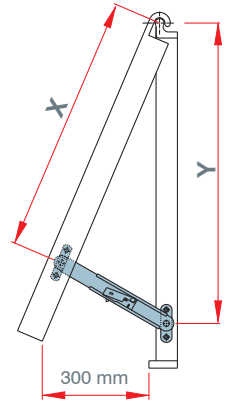
1343.801





NB: max glass thickness 50 mm

The weight capacity has been calculated taking into account the wind load with the following values.



P = leaf weight

P	X
	Y

X = leaf dimension  
Y = leaf dimension

	1500 pascal		1000 pascal		500 pascal
	1250 pascal		750 pascal		

H (leaf)	3000	195	1325	200	1325	200	1325	200	1325	200	1325	200	1325	200	1325	200	1325	200	1325
			1475		1475		1475		1475		1475		1475		1475		1475		1475
	2900	190	1275	200	1275	200	1275	200	1275	200	1275	200	1275	200	1275	200	1275	200	1275
			1425		1425		1425		1425		1425		1425		1425		1425		1425
	2800	180	1330	200	1330	200	1330	200	1330	200	1330	200	1330	200	1330	200	1330	200	1330
			1380		1380		1380		1380		1380		1380		1380		1380		1380
	2700	175	1185	200	1185	200	1185	200	1185	200	1185	200	1185	200	1185	200	1185	200	1185
			1335		1335		1335		1335		1335		1335		1335		1335		1335
	2600	170	1135	200	1135	200	1135	200	1135	200	1135	200	1135	200	1135	200	1135	200	1135
			1285		1285		1285		1285		1285		1285		1285		1285		1285
	2500	160	1090	190	1090	200	1090	200	1090	200	1090	200	1090	200	1090	200	1090	200	1090
			1240		1240		1240		1240		1240		1240		1240		1240		1240
	2400	155	1045	185	1045	200	1045	200	1045	200	1045	200	1045	200	1045	200	1045	200	1045
			1195		1195		1195		1195		1195		1195		1195		1195		1195
	2300	150	995	175	995	200	995	200	995	200	995	200	995	200	995	200	995	200	995
			1145		1145		1145		1145		1145		1145		1145		1145		1145
	2200	140	950	170	950	195	950	200	950	200	950	200	950	200	950	200	950	200	950
			1100		1005		1100		1100		1100		1100		1100		1100		1100
	2100	135	905	160	905	185	905	200	905	200	905	200	905	200	905	200	905	200	905
			1055		1055		1055		1055		1055		1055		1055		1055		1055
2000	130	855	150	855	175	855	200	855	200	855	200	855	200	855	200	855	200	855	
		1005		1005		1005		1005		1005		1005		1005		1005		1005	
1900	120	810	145	810	170	810	190	810	200	810	200	810	200	810	200	810	200	810	
		960		960		960		960		960		960		960		960		960	
1800	115	765	135	765	160	765	180	765	200	765	200	765	200	765	200	765	200	765	
		915		915		915		915		915		915		915		915		915	
1700	110	720	130	720	150	720	170	720	190	720	200	720	200	720	200	720	200	720	
		870		870		870		870		870		870		870		870		870	
1600	100	670	120	670	140	670	160	670	180	670	200	670	200	670	200	670	200	670	
		820		820		820		820		820		820		820		820		820	
1500	95	625	115	625	130	625	150	625	165	625	185	625	200	625	200	625	200	625	
		775		775		775		775		775		775		775		775		775	
1400	90	580	105	580	120	580	140	580	155	580	170	580	190	580	200	580	200	580	
		730		730		730		730		730		730		730		730		730	
1300	80	530	100	530	115	530	130	530	145	530	160	530	175	530	190	530	200	530	
		680		680		680		680		680		680		680		680		680	
1200	75	485	90	485	105	485	120	485	130	485	145	485	160	485	175	485	190	485	
		635		635		635		635		635		635		635		635		635	
1100	70	440	80	440	95	440	110	440	120	440	135	440	145	440	160	440	170	440	
		590		590		590		590		590		590		590		590		590	
1000	60	390	75	390	85	390	95	390	110	390	120	390	130	390	145	390	155	390	
		540		540		540		540		540		540		540		540		540	
900	55	345	65	345	75	345	85	345	95	345	110	345	120	345	130	345	140	345	
		495		495		495		495		495		495		495		495		495	
800	50	300	60	300	65	300	75	300	85	300	95	300	105	300	115	300	120	300	
		450		450		450		450		450		450		450		450		450	
700	45	250	50	250	60	250	65	250	75	250	80	250	90	250	100	250	105	250	
		400		400		400		400		400		400		400		400		400	
600	35	205	45	205	50	205	55	205	60	205	70	205	75	205	80	205	90	205	
		355		355		355		355		355		355		355		355		355	
500	30	160	35	160	40	160	45	160	50	160	55	160	60	160	65	160	70	160	
		310		310		310		310		310		310		310		310		310	
		<b>600</b>	<b>700</b>	<b>800</b>	<b>900</b>	<b>1000</b>	<b>1100</b>	<b>1200</b>	<b>1300</b>	<b>1400</b>	<b>1500</b>								
		<b>L (leaf)</b>																	





Savio S.p.A.

Via Torino, 25 (s.s. 25) - 10050 Chiusa S. Michele (TO)

tel. +39 011 964 3464 - fax +39 011 964 3474

[www.savio.it](http://www.savio.it) - [savio@savio.it](mailto:savio@savio.it)