

ACCESS DEVICES



EXTERNAL ACCESS DEVICES FOR BERNINI AND CELLINI PANIC BARS

- > Double-handed and/or reversible
- > Full range to meet all needs
- > New versions with cylinder in the lever, keyed alike or keyed different

GB 12/2005

AV SAVIO
by
pininfarina

Range of external controls for BERNINI/CELLINI panic bars

DOUBLE-HANDED AND/OR REVERSIBLE

The new model with cylinder on the lever is fully double-handed. For the others access devices, the right- or left-hand version is obtained merely by inserting the lever in the required direction and turning the cylinder by 360°.

OPTIMUM GRIPPING

The special shape of the lever ensures optimum gripping and also reduce possibility of inserting cheater bars for attempted break-ins.

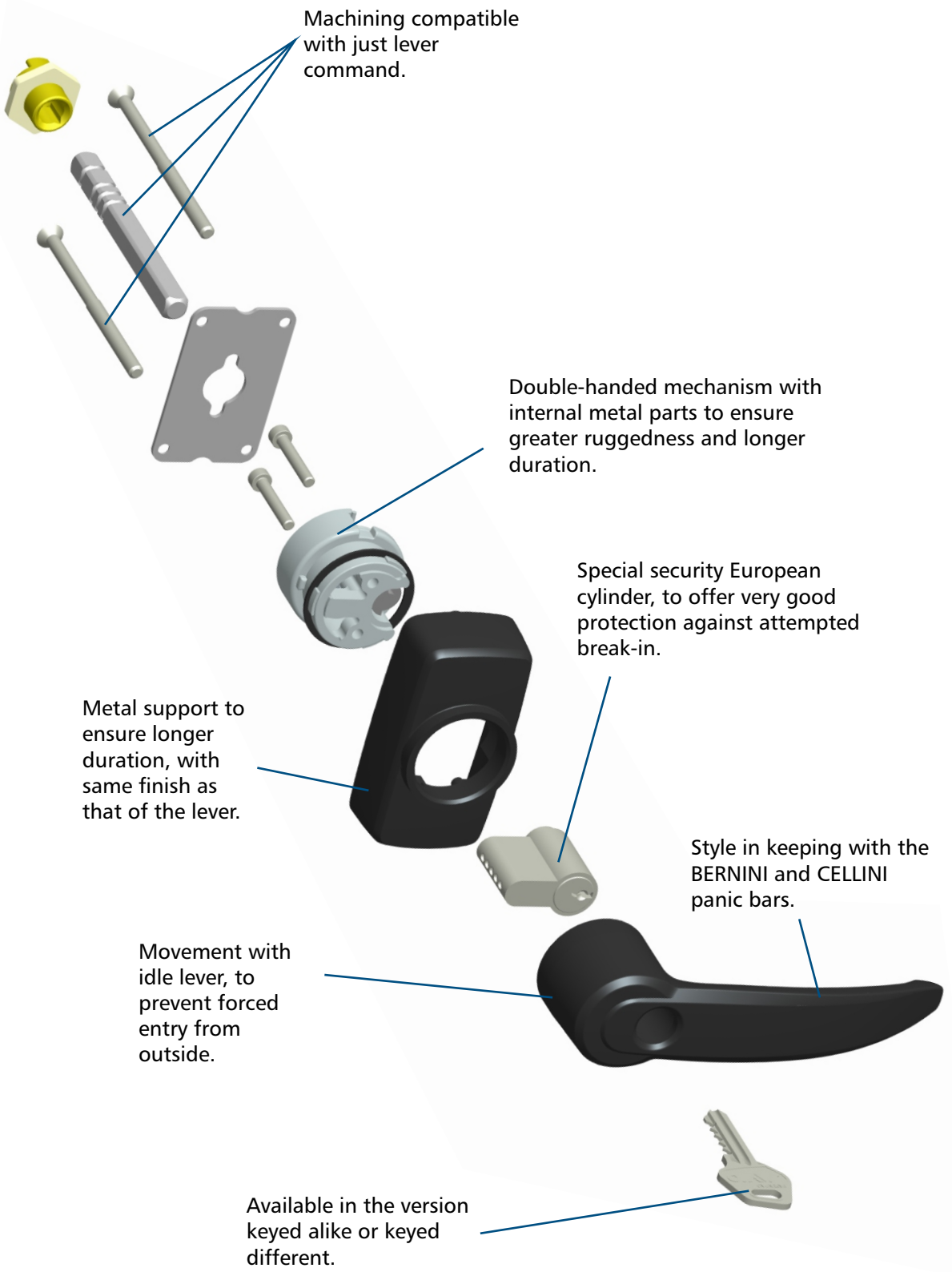
BURGLAR-PROOF

In all models with idle lever, when the cylinder is locked, the lever remains free but the latch does not retract, thus preventing forced entry from outside while locking of the mechanism is ensured.

FULL RANGE TO MEET ALL NEEDS

Version with or without cylinder; with lever or knob; with cylinder on the lever or case; keyed different o keyed alike. The lever is idle on all models.

New external access devices with cylinder on the lever



External access devices

Art.	Description	Pcs.	Finishing
6000.870	Painted mazak and galvanized steel external access device with simple lever, painted die-cast aluminium lever, square galvanized steel spindle galvanized steel screws (1 socket head cap screw M5x30 and 2 countersunk head screws M5x80).	1	9005, 9006, 9010



Art.	Description	Pcs.	Finishing
6000.873	Painted mazak and galvanized steel external access device with idle lever, mazak lever, European cylinder on the lever, keyed different , 3 nickel-plated keys, white galvanized steel square spindle, 2 galvanized steel countersunk head screws M5x80.	1	9005, 9006, 9010
6000.874	Like 6000.873 but with cylinder, keyed alike.		



Art.	Description	Pcs.	Finishing
6000.875	Painted mazak and galvanized steel external access device with idle lever, painted die-cast aluminium lever, European cylinder, keyed different , 3 nickel-plated keys, white galvanized steel square spindle, galvanized steel screws (1 socket head cap screw M5x30 and 2 countersunk head screws M5x80). Provided with key retention with cylinder unlocked	1	9005, 9006, 9010
6000.876	Like 6000.875 but without cylinder.		
6000.877	Like 6000.875 but with European cylinder, keyed alike .		

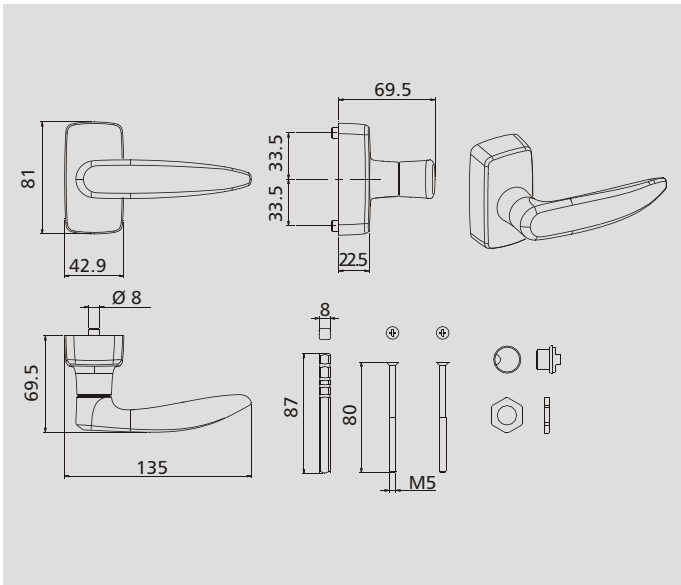
**The key retention device is designed to prevent extracting the key when the cylinder is released. Hence it requires the cylinder to be relocked before the key can be removed.*



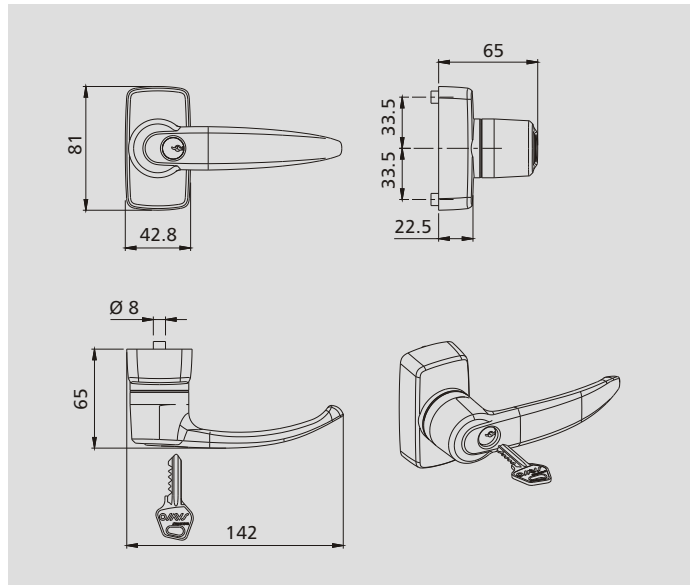
Art.	Description	Pcs.	Finishing
6000.880	Painted mazak and galvanized steel external access control, fixed knob, European cylinder, keyed different and 3 nickel-plated keys, galvanized steel square spindle, 2 galvanized steel countersunk head screws M5x80). Best combined with the one-point locking version.	1	9005, 9006, 9010

Finish code
 9005 = black RAL powder coated 9006 = silver RAL liquid varnish 9010 = white RAL powder coated

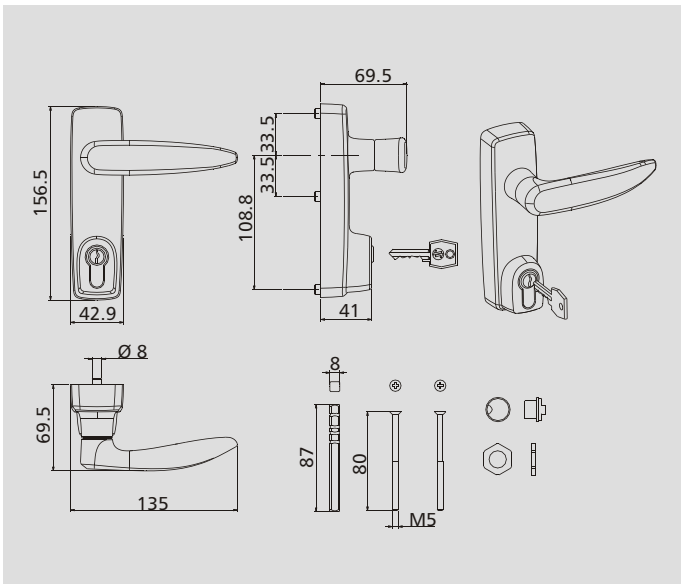
6000.870



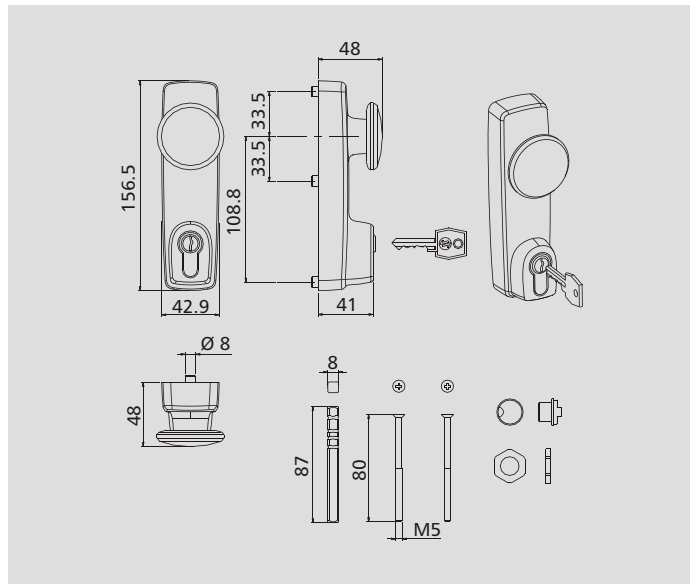
6000.873/.874



6000.875/.876/.877



6000.880





- DIN EN ISO 14001
- Certified Management System
- DIN EN ISO 9001

Savio S.p.A. Via Torino, 25 (S.S. 25)
10050 Chiusa S. Michele (TO) Italy
Tel.+39.011.964.34.64 - Fax+39.011.964.34.74
www.savio.it - e-mail: export@savio.it

SAVIO
*Quality and innovation
for closing systems*