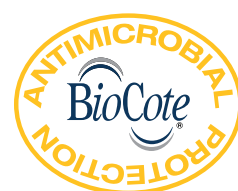


# NEW MANJON



## Range of handles for casement opening and tilt-and-turn mechanisms

Application solutions for any need  
Sturdiness and fluid operation  
Permanent fixing  
Guaranteed durability  
Biocote® Antimicrobial protection



**MANJON**  
by  
*pininfarina*



# We've improved excellence.

New Manon lasts even longer:  
34 years of continuous use  
and it is still smooth as the first time



## Lighter, yet sturdier

The new mechanical design reduces the weight and improves solidity over time, for reliability at the utmost levels.

## The value of BioCote hygiene

New Manon is also available with the BioCote anti-bacterial treatment, which eliminates 99% of microbes potentially harmful to human health.

## Guaranteed durability

New Manon will be like new for next 34 years (with an average of 2 openings per day); tested in accordance with strict standard EN 13126-3, Manon exceeded the maximum number of required cycles.

## Functionality and style

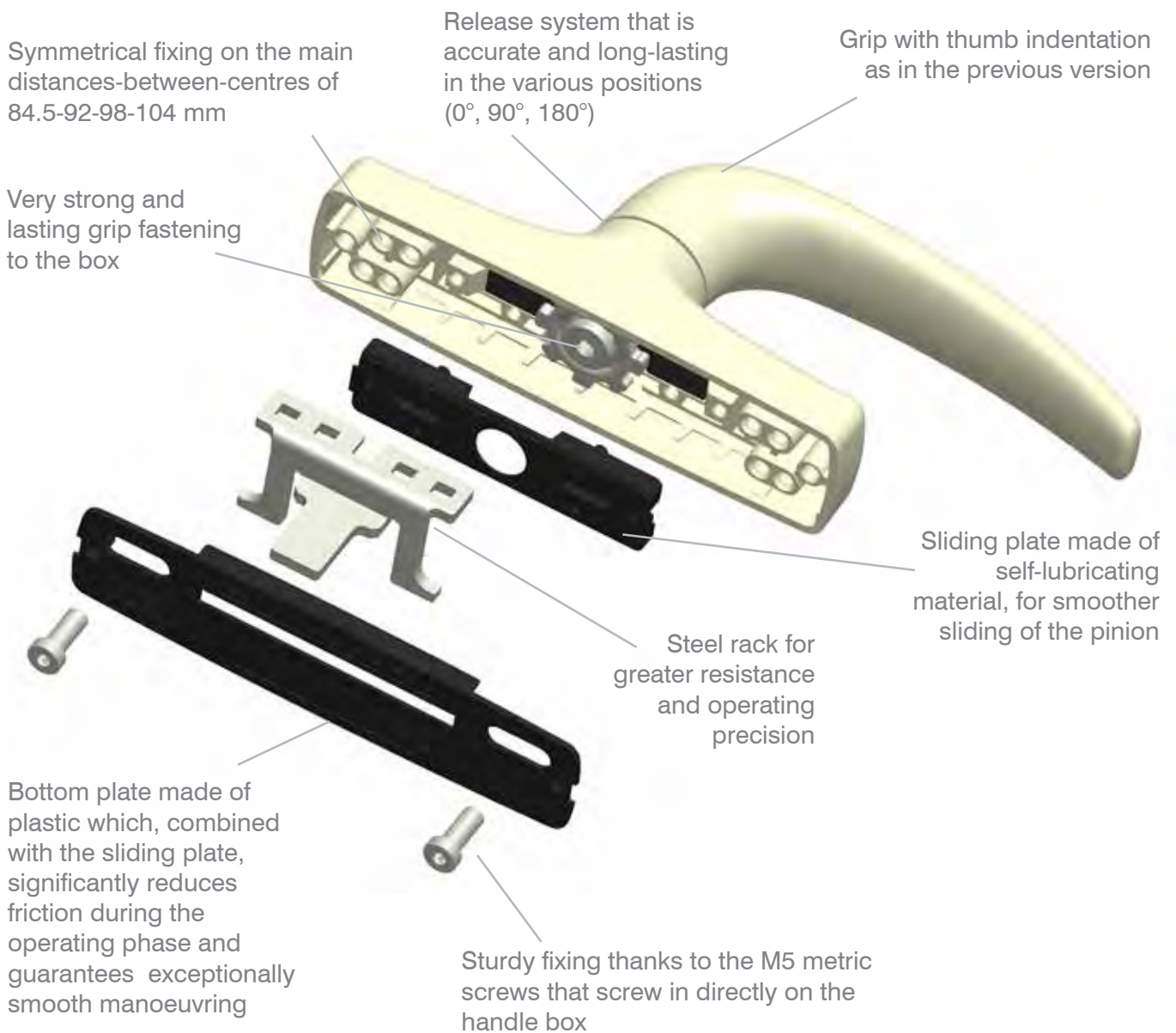
The Pininfarina design with the typical grip with thumb indentation that has made Manon a huge success, combined with a lowered box, allow easier gripping and an increasingly refined look.



## New model with key

Use of a sturdier and more secure cylinder and improved appearance of the grip.

# MANON



ANTIBACTERIAL PROTECTION  
SILVER ION TECHNOLOGY

## Antibacterial safety.

The excellence of MANON extends to hygiene, thanks to the antibacterial treatment that uses extremely high-quality paints, crucial in public places such as schools, hospitals and offices.

**To offer the best that is currently available in this field, Savio has chosen BioCote®, international leader in antimicrobial and antibacterial technologies.**

# Standard EN 13126-3

## MANON handles classification

<b>2</b>	<b>5/180</b>	<b>-</b>	<b>0</b>	<b>1</b>	<b>4</b>	<b>0/0</b>	<b>3/C2</b>	<b>-</b>
----------	--------------	----------	----------	----------	----------	------------	-------------	----------

Digit 1:  
**Category of use**  
Grade 2

Digit 9:  
**Test size**  
- (no requirement)

Digit 2:  
**Durability**  
Grade 5/180 = 25,000 cycles  
for tilt and turn mechanisms

Digit 8:  
**Application**  
Grade 3/C2 (handle with  
snap guide)

Digit 3:  
**Mass**  
- (no requirement)

Digit 7:  
**Anti-burglar safety**  
Grade 0/0 (without security and  
without closing mechanism)




Digit 4:  
**Fire resistance**  
Grade 0 (no requirement)

Digit 6:  
**Corrosion resistance**  
Grade 4 (very high resistance)



Digit 5:  
**Safety in use**  
Grade 1 (safe for the user)

Manon new handles:  
we've improved excellence.











## Handles for casement opening

	Article	Description	Pcs.	Finishes
		870.7	MANON (patented) Handle for casement in die-cast metal, dist. between centres 84.5-98 mm, 2 TORX® (T15) cap screws M5x13 in stainless steel.	20
870.8		Like 870.7 but with dist. between centres of 92-104 mm. <b>Note: for versions in OTT, PVD H and X remain in production the old code 870.1 and 870.2</b>	20	1013, 1015, 3003, 6002, 6005, 7016, 7032, 7035, 7047, 8017, 8019, 9001, 9005, 905, 9010, 910, 9016, B.MA, B.SA, BL10, BR5, BR801, BW21, C, GR217, GR50, GR51, GR606, RD501, SILV, SLV
	Article	Description	Pcs.	Finishes
		870.779	MANON (pat.) Handle for casement in die-cast metal, with safety cylinder (same keys), dist. between centres 84.5-98 mm, 2 TORX® (T15) cap screws M5x13 in stainless steel.	10
870.780		Like 870.779 but with dist. between centres of 92-104 mm. <b>Note: for versions in OTT, PVD H and X remain in production the old code 870.753 and 870.754</b>	10	1013, 1015, 6002, 7032, 7035, 8017, 8019, 9001, 9005, 905, 9010, 910, 9016, B.MA, B.SA, BL10, BR5, BR801, BW21, C, GR217, SILV, SLV
	Article	Description	Pcs.	Finishes
		870.755	MANON (patented) Handle for casement in die-cast metal, without grip handle (grip handle art.1243.599), dist. between centres 84.5-98 mm, 2 TORX® (T15) cap screws M5x13 in stainless steel.	10
870.756		Like 870.755 but with dist. between centres of 92-104 mm.	10	1013, 7035, 8019, 9001, 9005, 905, 9010, 910, B.SA, BL10, BR5, GR217, PVD H, PVD X, SILV, SLV

## Handles for tilt and turn mechanisms

	Article	Description	Pcs.	Finishes
		873.7	MANON (patented) Handle for tilt and turn in die-cast metal, dist. between centres 84.5-98 mm, 2 TORX® (T15) cap screws M5x13 in stainless steel.	5
873.8		Like 873.7 but with dist. between centres of 92-104 mm. <b>Note: for versions in OTT, PVD H and X remain in production the old code 873.1 and 873.2</b>	5	1013, 1015, 1035, 6002, 6005, 7016, 7032, 7035, 7047, 8017, 8019, 9001, 9005, 905, 9010, 910, 9016, B.MA, B.SA, BL10, BL25, BR5, BR801, BW21, C, GR217, GR50, GR51, GR606, RD501, SILV, SLV, WT005
	Article	Description	Pcs.	Finishes
		873.779	MANON (patented) Handle for tilt and turn in die-cast metal, with safety cylinder (same keys), dist. between centres 84.5-98 mm, 2 TORX® (T15) cap screws M5x13 in stainless steel.	5
873.780		Like 873.779 but with dist. between centres of 92-104 mm. <b>Note: for versions in OTT, PVD H and X remain in production the old code 873.753 and 873.754</b>	5	1013, 1015, 6002, 7032, 8017, 8019, 9001, 9005, 905, 9010, 910, 9016, B.MA, B.SA, BL10, BR5, BW21, C, GR217, SILV, SLV, WT005

## Handles for tilt and turn mechanisms

	Article	Description	Pcs.	Finishes
	873.771	MANON (patented) Left handle for tilt and turn tilt-first function in die-cast metal or brass, with safety cylinder (same keys), dist. between centres 84.5-98 mm, 2 TORX® (T15) cap screws M5x13 in stainless steel.	5	1013, 1035, 7016, 7032, 7035, 8019, 9001, 9005, 905, 9010, 910, 9016, B.SA, BL10, GR217, OTT, PVD X, SILV, SLV
	Article	Description	Pcs.	Finishes
	873.772	Like 873.771 but right handle.	5	1013, 1035, 7016, 7032, 7035, 8019, 9001, 9005, 905, 9010, 910, 9016, B.SA, BL10, BR801, GR217, GREY, OTT, PVD X, SILV, SLV
	Article	Description	Pcs.	Finishes
	873.773	MANON (patented) Left handle for tilt and turn tilt-first function in die-cast metal or brass, with safety cylinder (same keys), dist. between centres 92-104 mm, 2 TORX® (T15) cap screws M5x13 in stainless steel.	5	1013, 6005, 7016, 8019, 9001, 9005, 905, 9010, 910, 9016, BL10, BR5, GR217, OTT, PVD H, PVD X, SILV, SLV
	Article	Description	Pcs.	Finishes
	873.774	Like 873.773 but right handle.	5	1013, 6005, 7016, 8019, 9001, 9005, 905, 9010, 910, 9016, BL10, BR5, BR801, GR217, OTT, PVD H, PVD X, SILV, SLV
	Article	Description	Pcs.	Finishes
	873.781	MANON (patented) Left handle for tilt and turn with microventilation device and with tilt-first gearing, in die-cast metal, with safety cylinder (same keys), dist. between centres 84.5-98 mm, 2 TORX® (T15) cap screws M5x13 in stainless steel.	5	1013, 7032, 7035, 8019, 9001, 9005, 905, 9010, 910, 9016, B.SA, BL10, OTT, PVD X, SILV, SLV
	Article	Description	Pcs.	Finishes
	873.782	Like 873.781 but right handle.	5	1013, 7032, 7035, 8019, 9001, 9005, 905, 9010, 910, 9016, B.SA, BL10, OTT, PVD X, SILV, SLV
	Article	Description	Pcs.	Finishes
	873.783	MANON (brevettato) Cremonese versione sinistra per anta-ribalta dotata di dispositivo di microventilazione e con manovra logica, in metallo pressofuso, con cilindro di sicurezza (chiavi uguali), interassi mm 92-104, 2 viti TORX® (T15) TC M5x13 in acciaio inox.	5	1013, 7032, 7035, 8019, 9001, 9005, 905, 9010, 910, 9016, B.SA, BL10, OTT, PVD X, SILV, SLV
	Article	Description	Pcs.	Finishes
	873.784	Like 873.783 but right handle.	5	1013, 7032, 7035, 8019, 9001, 9005, 905, 9010, 910, 9016, B.SA, BL10, OTT, PVD X, SILV, SLV
	Article	Description	Pcs.	Finishes
	873.755	MANON (patented) Left handle for tilt and turn with microventilation device and with tilt-first gearing, in die-cast metal, with safety cylinder (same keys), dist. between centres 92-104 mm, 2 TORX® (T15) cap screws M5x13 in stainless steel.	5	1013, 7035, 8019, 9005, 905, 9010, 910, B.SA, GR217, SILV, SLV
	Article	Description	Pcs.	Finishes
	873.756	Like 873.755 but with dist. between centres of 92-104 mm.	5	1013, 7032, 8019, 9005, 905, 9010, 910, BL10, BR5, C, PVD X, SILV, SLV

## MANON handle accessories

	Article	Description	Pcs.	Finishes
	865.801	Handle reinforcement plate in black galvanized zamak, 1 countersunk head screw M5X18 in stainless steel.	200	
	Article	Description	Pcs.	Finishes
	870.705	Black nylon device replacing leaf handles during the window/door transportation.	20	.74
	Article	Description	Pcs.	Finishes
	870.802	Stiffening snap in galvanized zamak for Eurogrooves profiles and NC International.	200	
	Article	Description	Pcs.	Finishes
	870.802W	Stiffening snap in white galvanized zamak for Eurogrooves profiles and NC International.	200	
	Article	Description	Pcs.	Finishes
	870.803	Stiffening snap in die-cast metal for profiles "R 40/50 and NEW TEC".	200	
	Article	Description	Pcs.	Finishes
	870.850	Black nylon spacer (70 mm radius) for MANON handle. Suitable to "NC 40 N rounded overlapped" profiles and similars.	50	
	870.851	Black nylon spacer (115 mm radius) for MANON handle. Suitable to "ALL.CO P4 rounded overlapped" profiles and similars.	50	



## MANON handle accessories

	Article	Description	Pcs.	Finishes
	873.705	Black nylon device replacing tilt and turn handles during the window/door transportation.	20	.74
	Article	Description	Pcs.	Finishes
	873.801	Handle rotation restrictor for tilt and turn art. 873.755/.756 - 873.771/.772/.773/.774 - 873.781/.782/.783/.784 in black nylon.	20	
	Article	Description	Pcs.	Finishes
	873.802	Handle rotation restrictor for tilt and turn art. 873.7/.8/.779/.780 in black nylon.	20	

## Legend of finishes

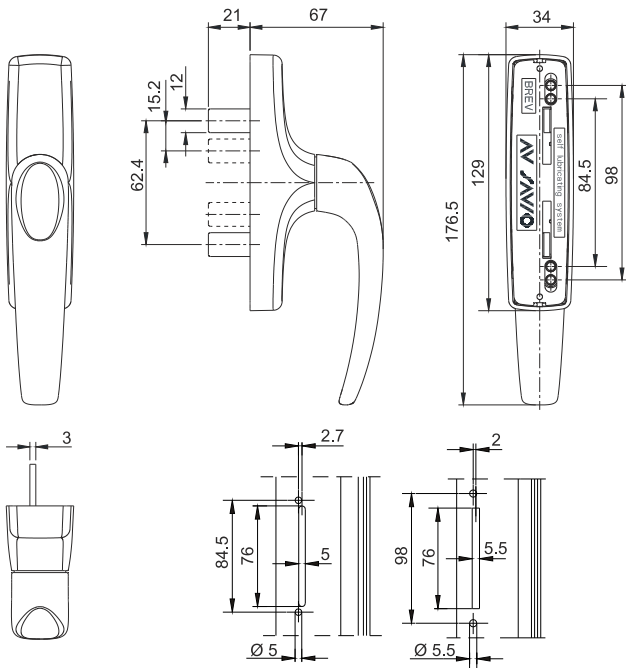
Code	Description
1013	ivory RAL powder coated
1015	dark ivory RAL powder coated
1035	pearl beige powder coated RAL
1247	dark brown powder coated
3001	signal red RAL powder coated
3003	red RAL powder coated
6002	leaf green RAL powder coated
6005	moss green RAL powder coated
7016	anthracite grey RAL powder coated
7032	pebble grey RAL powder coated
7035	light grey RAL powder coated
7047	telegrey 4 RAL powder coated
8017	chocolate brown RAL powder coated
8019	coffee RAL powder coated
8077	dark brown powder coated
9001	cream RAL powder coated
9005	jet black RAL powder coated
905	black ANTIBACTERIAL powder coated
9010	white RAL powder coated
910	white ANTIBACTERIAL powder coated

Code	Description
9016	traffic white RAL powder coated
B.MA	matte white RAL powder coated
B.SA	pure white RAL powder coated
BL10	10 Gloss black powder coated
BL25	25 Gloss black powder coated
BR5	dark bronze powder coated
BR801	marbled brown
BW21	ice white powder coated
C	mill finished
GR217	dark marbled grey
GR50	green textured
GR51	brown textured
GR606	marbled green
GREY	silver RAL powder coated
OTT	polished brass
PVD H	bright gold PVD treated
PVD X	satin steel PVD treated
RD501	marbled red
SILV	silver powder coated
SLV	silver ANTIBACTERIAL powder coated

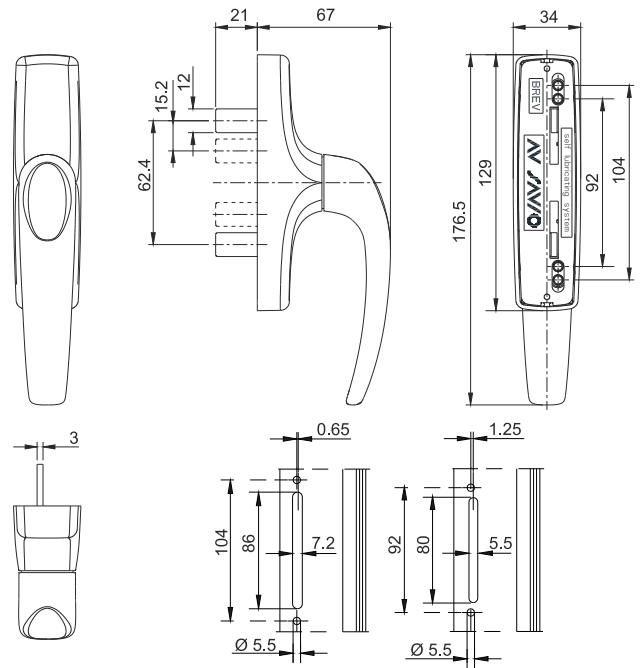
Code	Description
VRD27	water green powder coated
WT005	gothic white
.74	black

Handles for casement opening

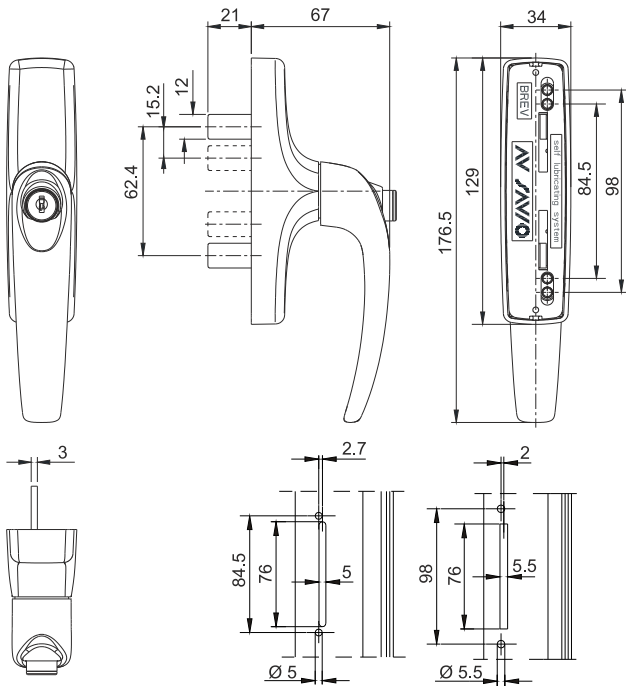
870.7



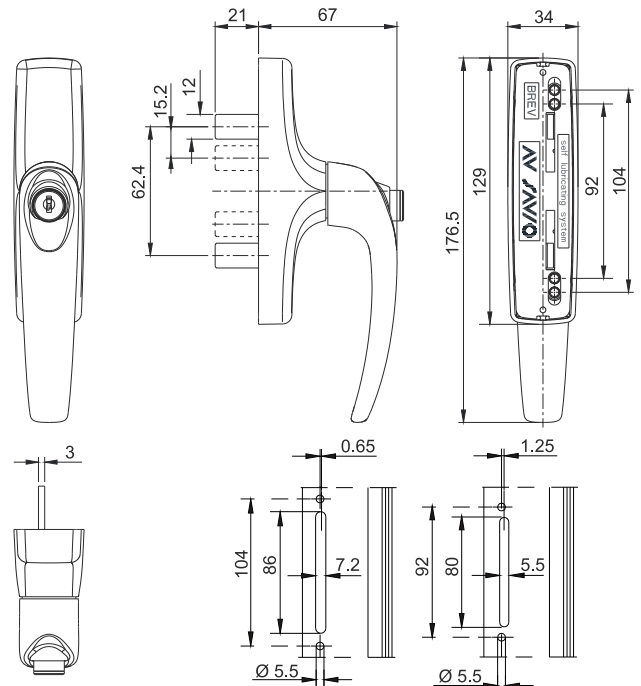
870.8



870.779

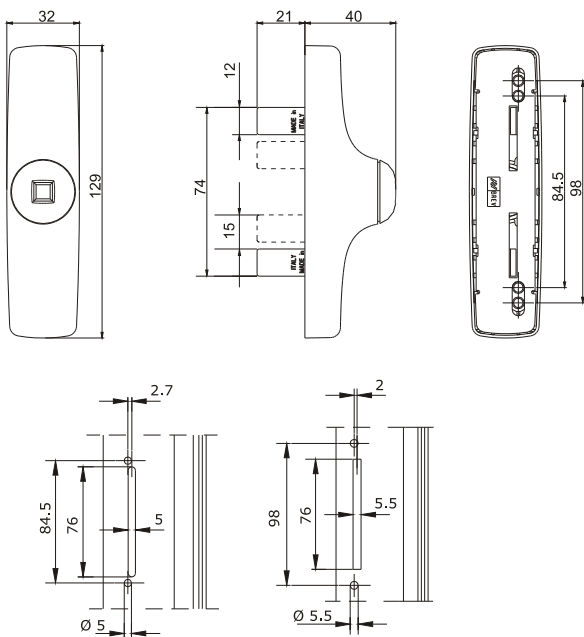


870.780

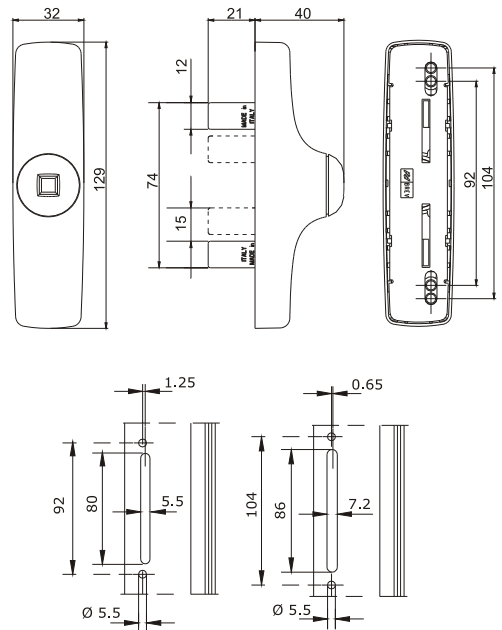


Handles for casement opening

870.755

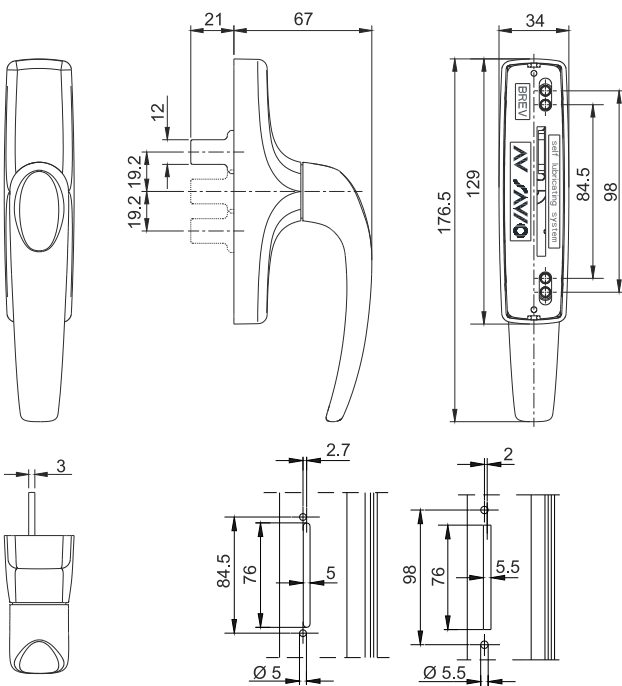


870.756

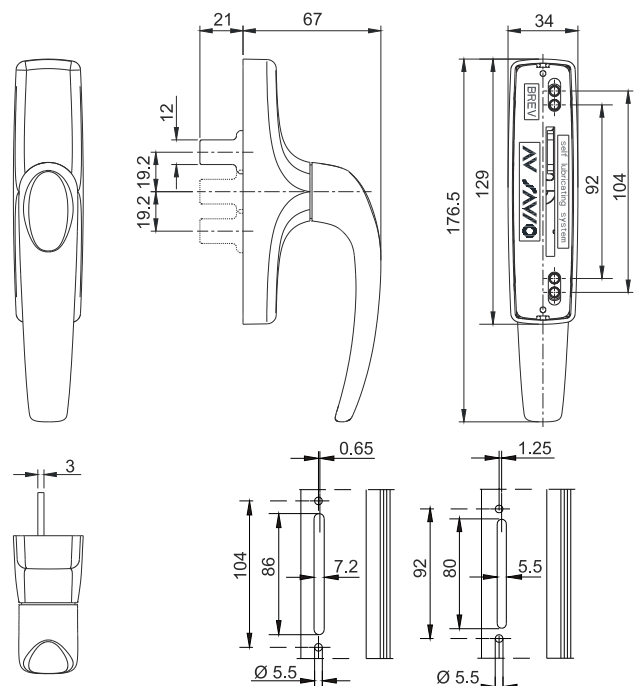


Handles for tilt and turn mechanisms

873.7

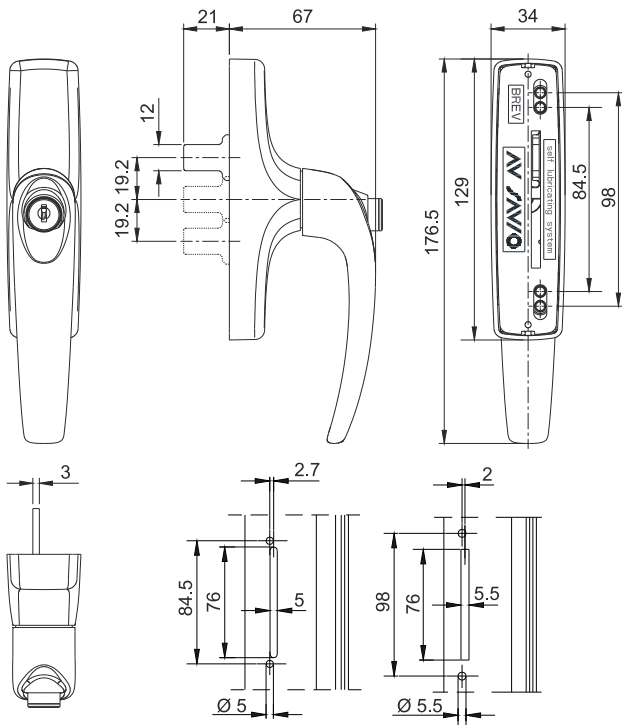


873.8

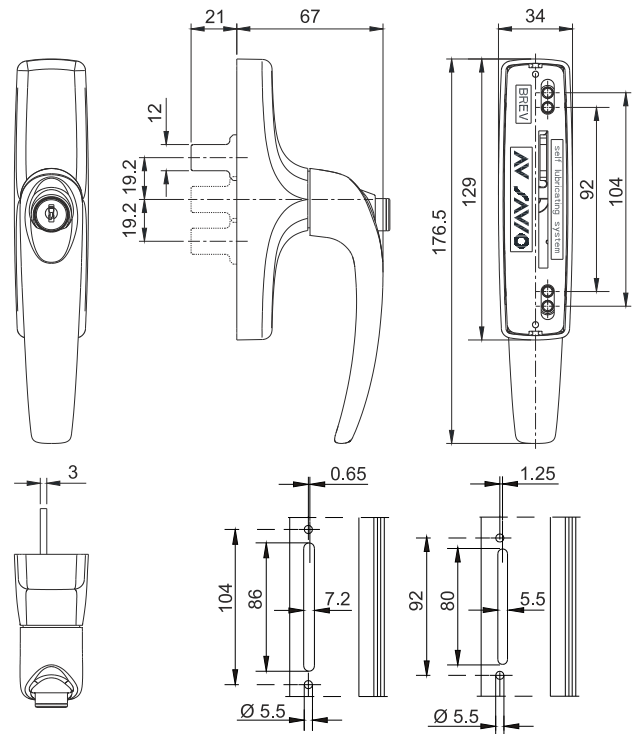


Handles for tilt and turn mechanisms

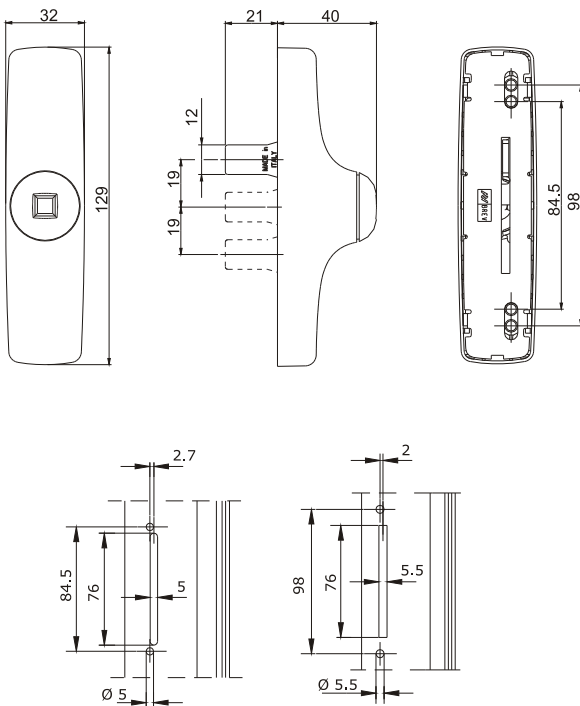
873.779



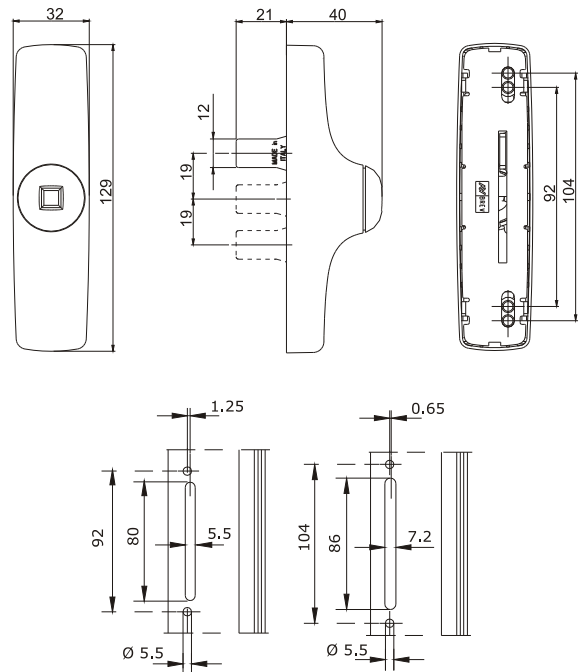
873.780



873.755



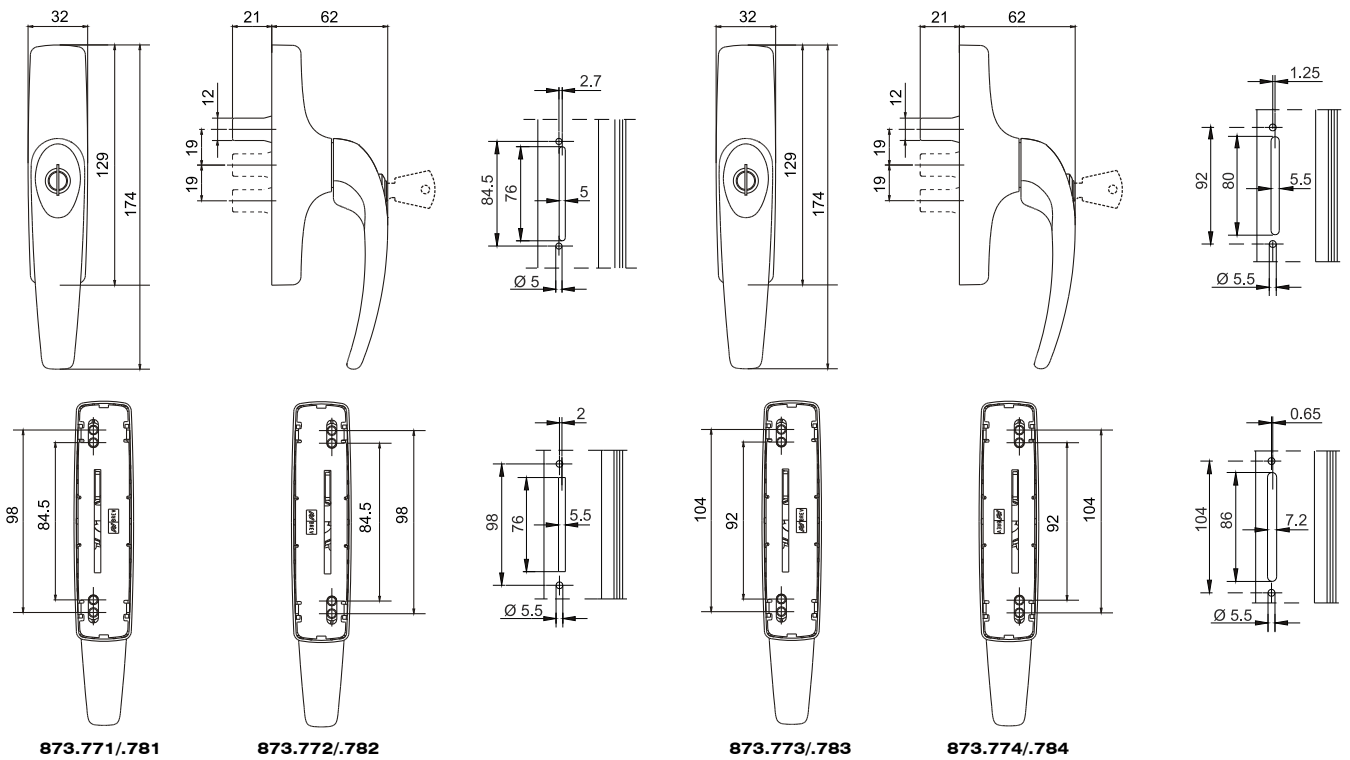
873.756



Handles for tilt and turn mechanisms

873.771/.781 - 873.772/.782

873.773/.783 - 873.774/.784

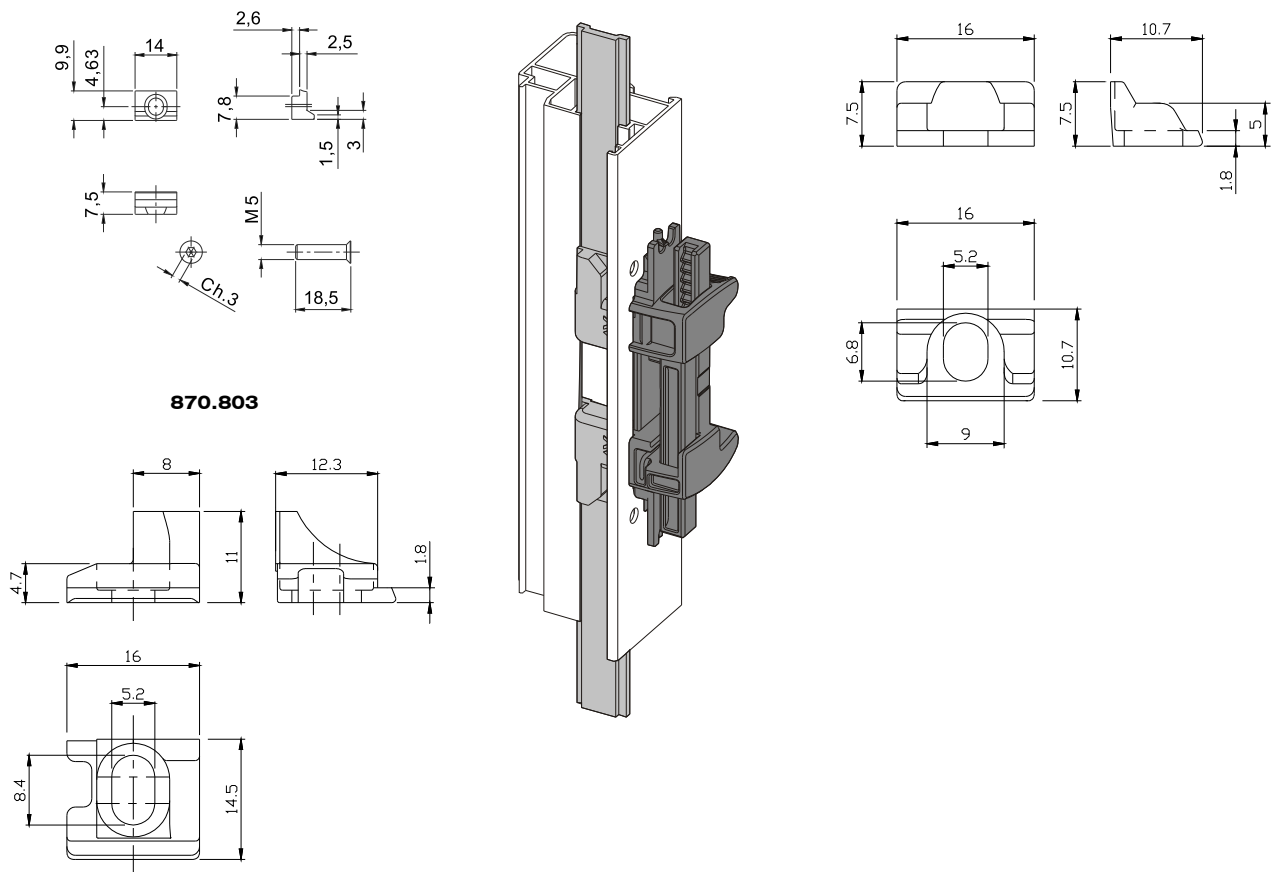


Complementary accessories

865.801

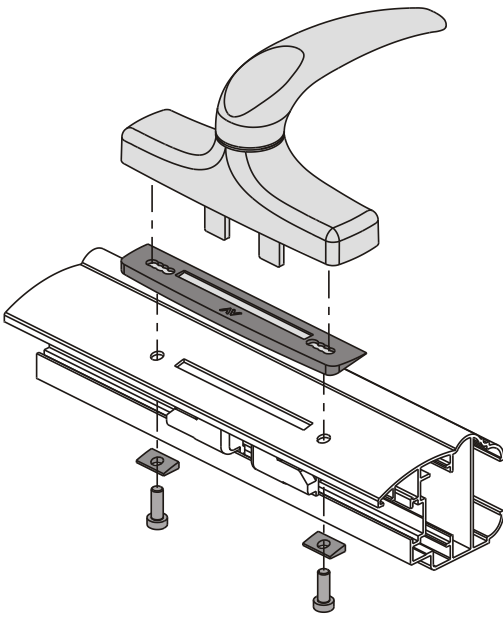
870.705

870.802/.802W

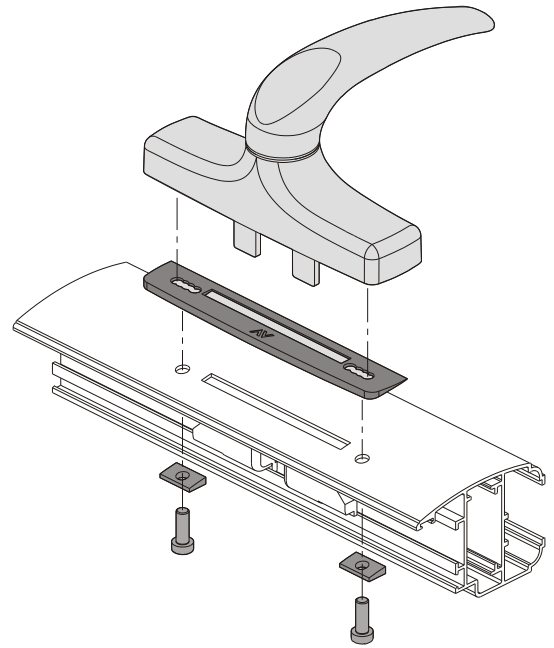


Complementary accessories

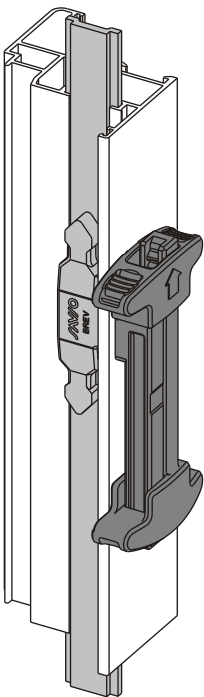
870.850



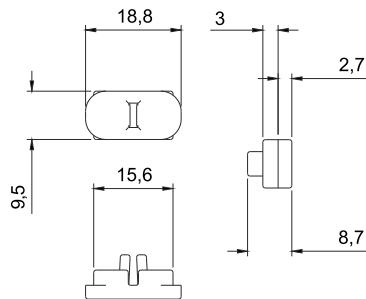
870.851



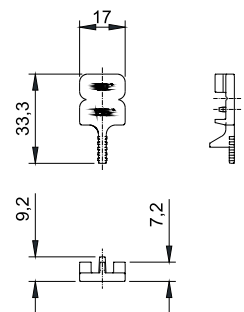
873.705



873.801



873.802







Savio S.p.A.  
Via Torino, 25 (S.S. 25) - 10050 Chiusa S. Michele (TO)  
Tel. +39 011 964 34 64 - Fax +39 011 964 34 74  
[www.savio.it](http://www.savio.it) - [export@savio.it](mailto:export@savio.it)

