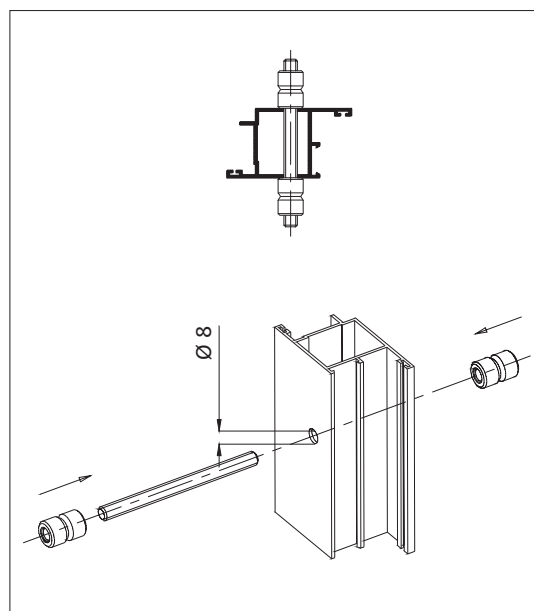
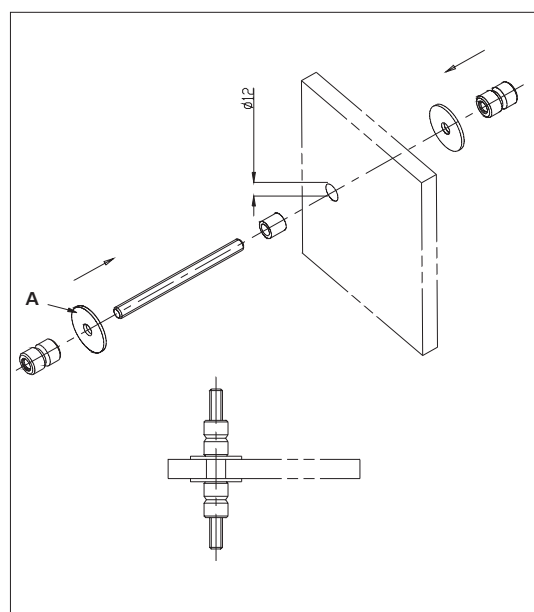


Fasteners for EXCALIBUR tubular handle

SUITABLE FOR STAINLESS STEEL AND NYLON



Art.	Description	Pcs.
1811.1	Double fastener. Consisting of: 2 threaded bars M8x100, 4 bushings M8.	1



Art.	Description	Pcs.
1811.2	Double fasteners for glass. Consisting of: 2 threaded bars M8x100, 4 bushings M8, 4 rubber washers Ø 32 mm, 4 rubber washers Ø 35 mm, 2 rubber bushings Ø 2 mm. A = Ø 32 mm for stainless steel handles, Ø 35 mm for nylon handles. <i>Not suitable for art. 1802.5</i>	1

Finishes key

S	satin finished stainless steel	.74	black
P	polished stainless steel	.79	light grey (RAL 7001)
PVD H	bright gold PVD coated	.81	dark grey (RAL 7043)

Savio S.p.A. reserves the right to modify the technical specifications of products featured in this catalogue at any moment and without warning.

SAVIO S.p.A. Via Torino, 25 (S.S. 25)
10050 Chiusa S. Michele (TO) Italy
Tel. +39.011.964.34.64 - Fax +39.011.964.34.74
www.savio.it - e-mail: export@savio.it

SAVIO
Quality and Innovation
for closing systems

9507.443 - REV. 0 - 223074

EXCALIBUR

TUBULAR HANDLE

- ▶ Stainless steel
- ▶ Nylon
- ▶ Universal fasteners

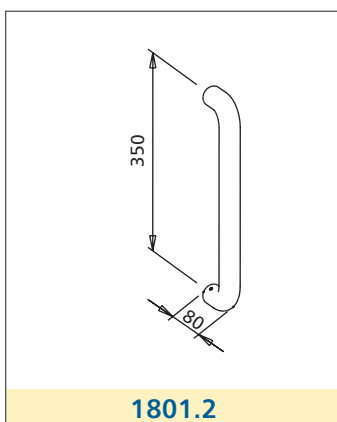
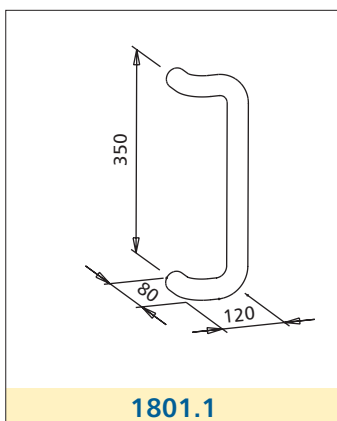


GB 09/2004

SAVIO

EXCALIBUR nylon handles

BLACK - DARK GREY - LIGHT GREY



Handles of series 1801 are made of specially treated nylon to ensure maximum resistance to light (UV rays) with no alteration to colour or shine. All models are available in 3 finishes:

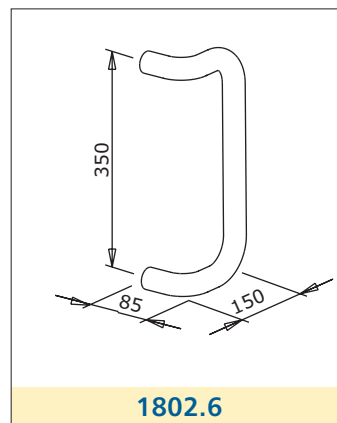
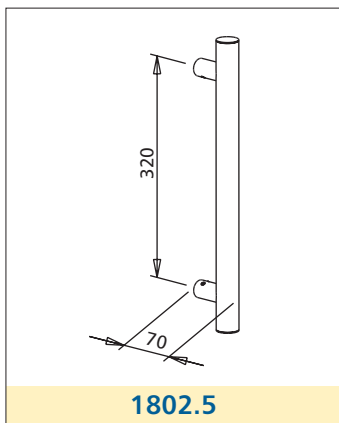
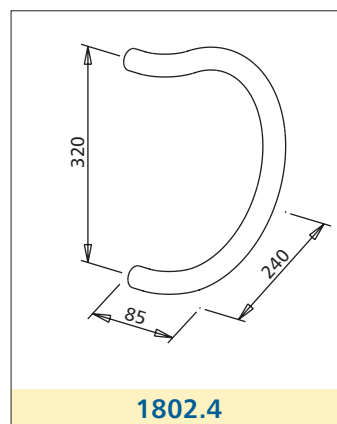
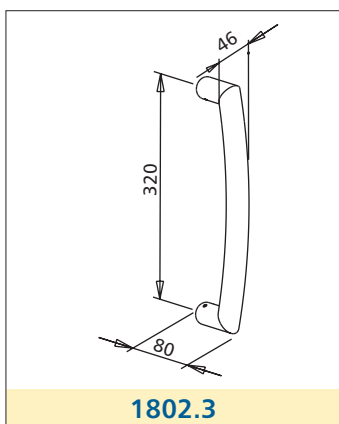
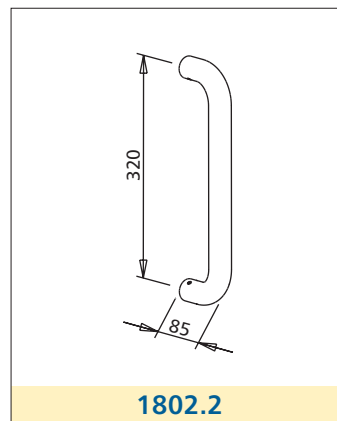
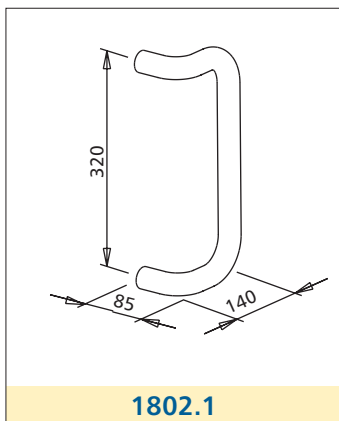
- ▶ black .74
- ▶ light grey .79 (RAL 7001)
- ▶ dark grey .81 (RAL 7043)

The fasteners, which are quick and easy to mount, are universal; they can be suitable for both nylon and steel handles.

Art.	Description	Pcs.	Finishes
1801.1 1801.2	Nylon 6 handle with pre-mounted stainless steel set screws. Diameter 35 mm.	2	.74, .79, .81

EXCALIBUR stainless steel handle

SATIN FINISHED - POLISHED - GOLD PVD



Handles of series 1802 are made of stainless steel AISI 304. All models are available in 3 finishes:

- ▶ satin-finished natural steel (S)
- ▶ polished natural steel (P)
- ▶ polished steel with bright gold PVD coating (PVD H)

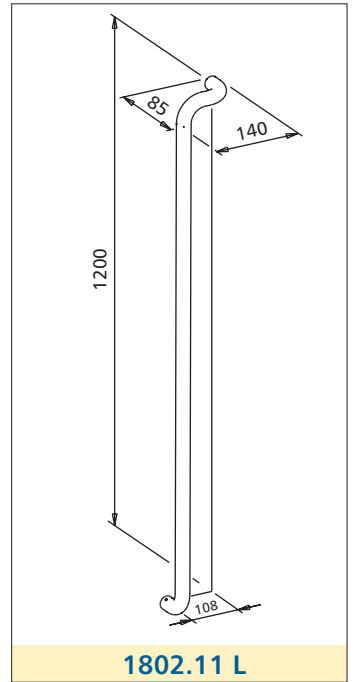
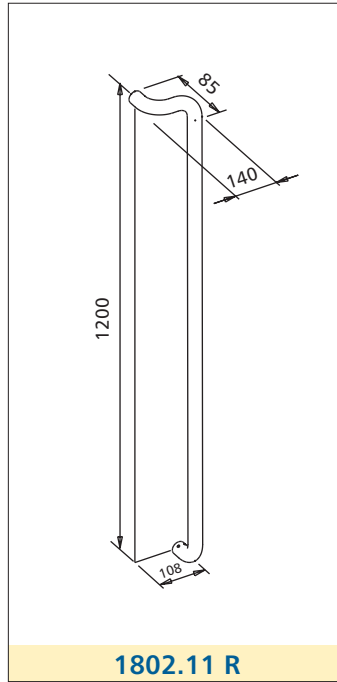
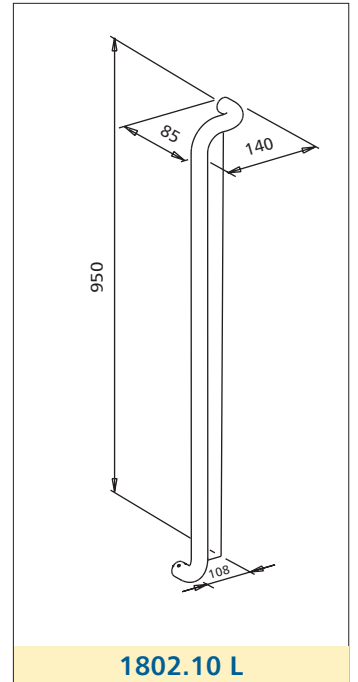
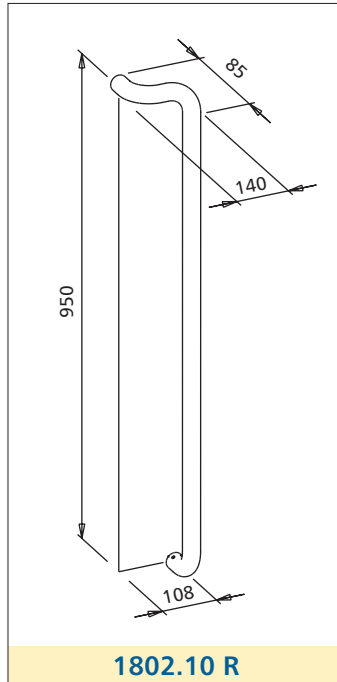
The fasteners, which are quick and easy to mount, are universal; they can be suitable for both steel and nylon handles.

Art.	Description	Pcs.	Finishes
1802.1 1802.2 1802.3 1802.4 1802.5	Stainless steel (AISI 304) handle with brass bushings and pre-mounted stainless steel set screws. Diameter 32 mm.	2	S, P, PVD H
1802.6	Like 1802.1/.2/.3/.4/.5 but with diameter 35 mm.	2	S



EXCALIBUR stainless steel handle

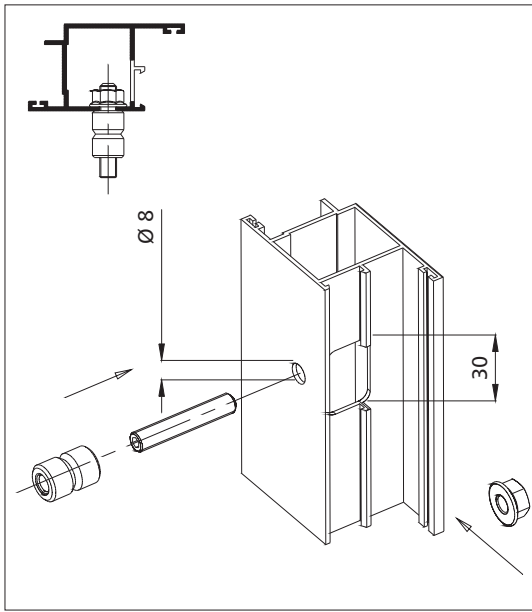
SATIN FINISHED - POLISHED - GOLD PVD



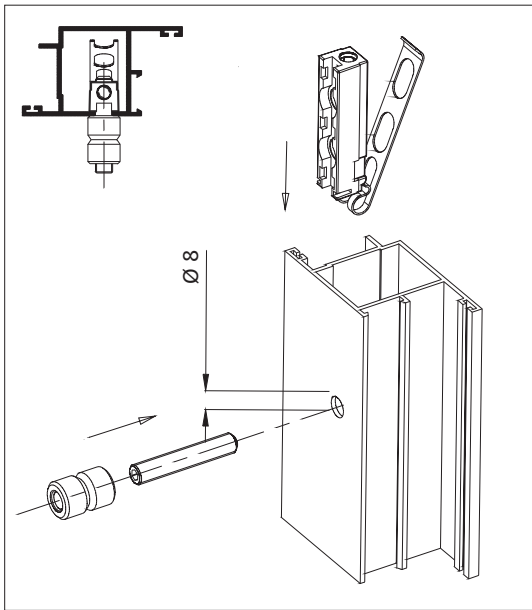
Art.	Description	Pcs.	Finishes
1802.10 R	Stainless steel (AISI 304) handle with brass bushings and pre-mounted stainless steel set screws. Diameter 32 mm.	1	S, P, PVD H
1802.10 L			
1802.11 R			
1802.11 L			

Fasteners for EXCALIBUR tubular handle

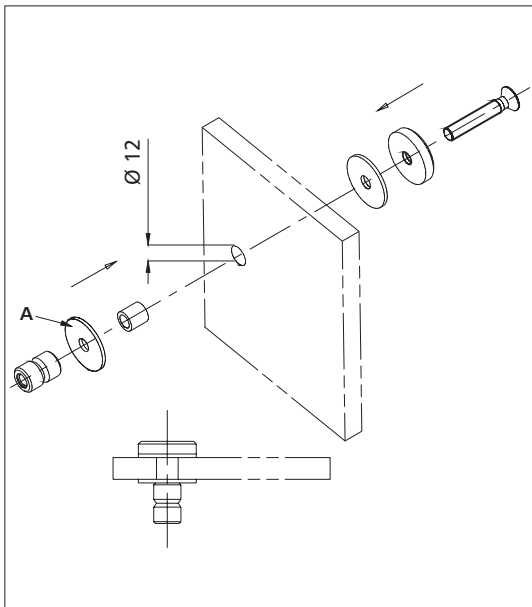
SUITABLE FOR STAINLESS STEEL AND NYLON



Art.	Description	Pcs.
1810.1	<p>Single fastener.</p> <p>Consisting of: 2 galvanized set screws M8x45, 2 bushings M8, 2 extra-large nuts.</p>	1



Art.	Description	Pcs.
1810.2	<p>Single fastener with counter-plate.</p> <p>Consisting of: 2 galvanized set screws M8x45, 2 bushings M8, 2 counter-plates with spring.</p>	1



Art.	Description	Pcs.
1810.3	<p>Single fastener for glass.</p> <p>Consisting of: 2 stainless steel (304) screws M8x45, 2 bushings M8, 2 stainless steel (304) washers, 4 rubber washers Ø 32 mm, 2 rubber washers Ø 35 mm, 2 rubber bushings Ø 12 mm.</p> <p>A = Ø 32 mm for stainless steel handles; Ø 35 mm for nylon handles.</p> <p><i>Not suitable for art. 1802.5</i></p>	1