

CHIUSURE PER PORTE

DOOR CLOSING KIT






Design e ampia adattabilità
Design and wide suitability

I/GB 11/2006

NSAVIO

Maniglie per porte e accessori / Door handle and accessories

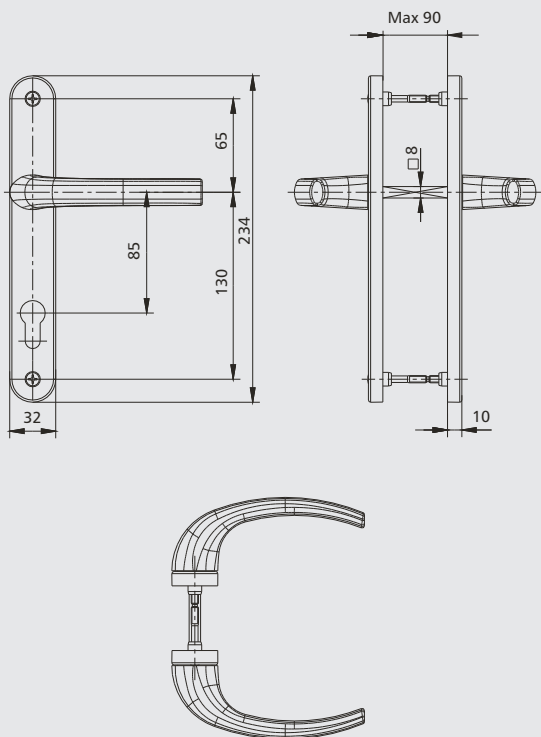
	Art.	Descrizione / Description	Pz./Pcs.	Finiture/Finishes
	1699	<p>Maniglia per porte in zama, interasse 85 mm, albero quadro 8x145 mm, 2 viti TCEI M5x80 e 2 viti TCEI M5x100 in acciaio inox.</p> <p>Zamak door handle, dist. between centres of 85 mm, 8x145 mm square spindle, 2 socket head cap screws M5x80 and 2 socket head cap screws M 5x100.</p>	20	9005, 9010, CHRM
	1852.19/25 1852.19/30 1852.19/35	<p>Serratura da montante con frontale in acciaio inox, entrata 25 mm e interasse 85 mm, con scrocco reversibile, catenaccio a una mandata maggiorata, 1 vite in acciaio inox M5x55. Predisposta per cilindro sagomato.</p> <p>Jamb lock with stainless steel frontal, 30 mm backset, distance between centres of 85 mm, with reversible latch, one throw deadbolt, 1 stainless steel screw M5x55. For shaped cylinder.</p> <p>Come 1852.19/25 ma entrata da 30 mm. Like 1852.19/25 but 35 mm backset.</p> <p>Come 1852.19/25 ma entrata da 35 mm. Like 1852.19/25 but 35 mm backset.</p>	20	
	1852.801/70 1852.801/75 1852.801/80 1852.801/85	<p>Doppio cilindro di sicurezza sagomato in ottone nichelato, con chiavi a cifratura diversa, lunghezza 70 mm (30x40 mm).</p> <p>Double security european-shaped cylinder in nicked brass, with different key combination, dimension of 70 mm (30x40 mm).</p> <p>Come 1852.801/70 ma con lunghezza di 75 mm (30x45). Same as 1852.801/70 but dimension of 75 mm (30x45).</p> <p>Come 1852.801/70 ma con lunghezza di 75 mm (30x50). Same as 1852.801/70 but dimension of 80 mm (30x50).</p> <p>Come 1852.801/70 ma con lunghezza di 75 mm (30x55). Same as 1852.801/70 but dimension of 85 mm (30x55).</p>	10	

Key to Finiture/Finishes

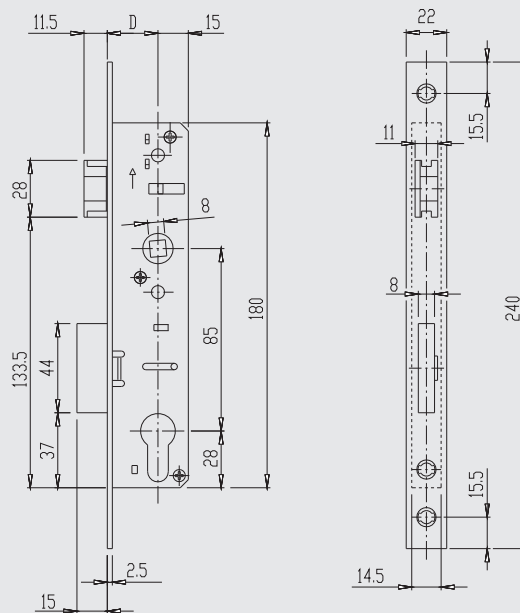
9005 = RAL black powder coated
9010 = RAL white powder coated
CHRM = chrom mat

9005 = verniciato nero RAL
9010 = verniciato bianco RAL
CHRM = grigio cromato

1699

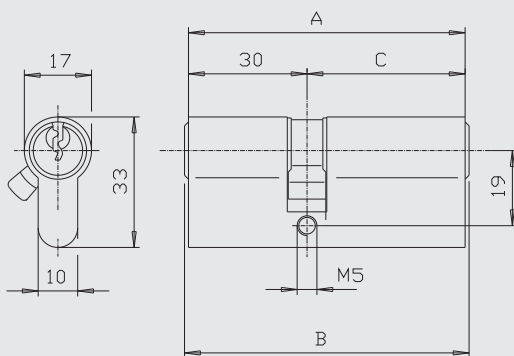


1852.19/25 - 1852.19/30 - 1852.19/35



Art./Code	A
1852.19/25	25
1852.19/30	30
1852.19/35	35

1852.801/70 - 1852.801/75 - 1852.801/80 - 1852.801/85



Art./Code	A	B	C
1852.801/70	70	70,6	40
1852.801/75	75	75,6	45
1852.801/80	80	80,6	50
1852.801/85	85	85,6	55



- DIN EN ISO 14001
- Certified Management System
- DIN EN ISO 9001

Savio S.p.A. Via Torino, 25 (S.S. 25)
10050 Chiusa S. Michele (TO) Italy
Tel.+39.011.964.34.64 - Fax+39.011.964.34.74
www.savio.it - e-mail: export@savio.it

NSAVIO
*Quality and Innovation
for closing systems*