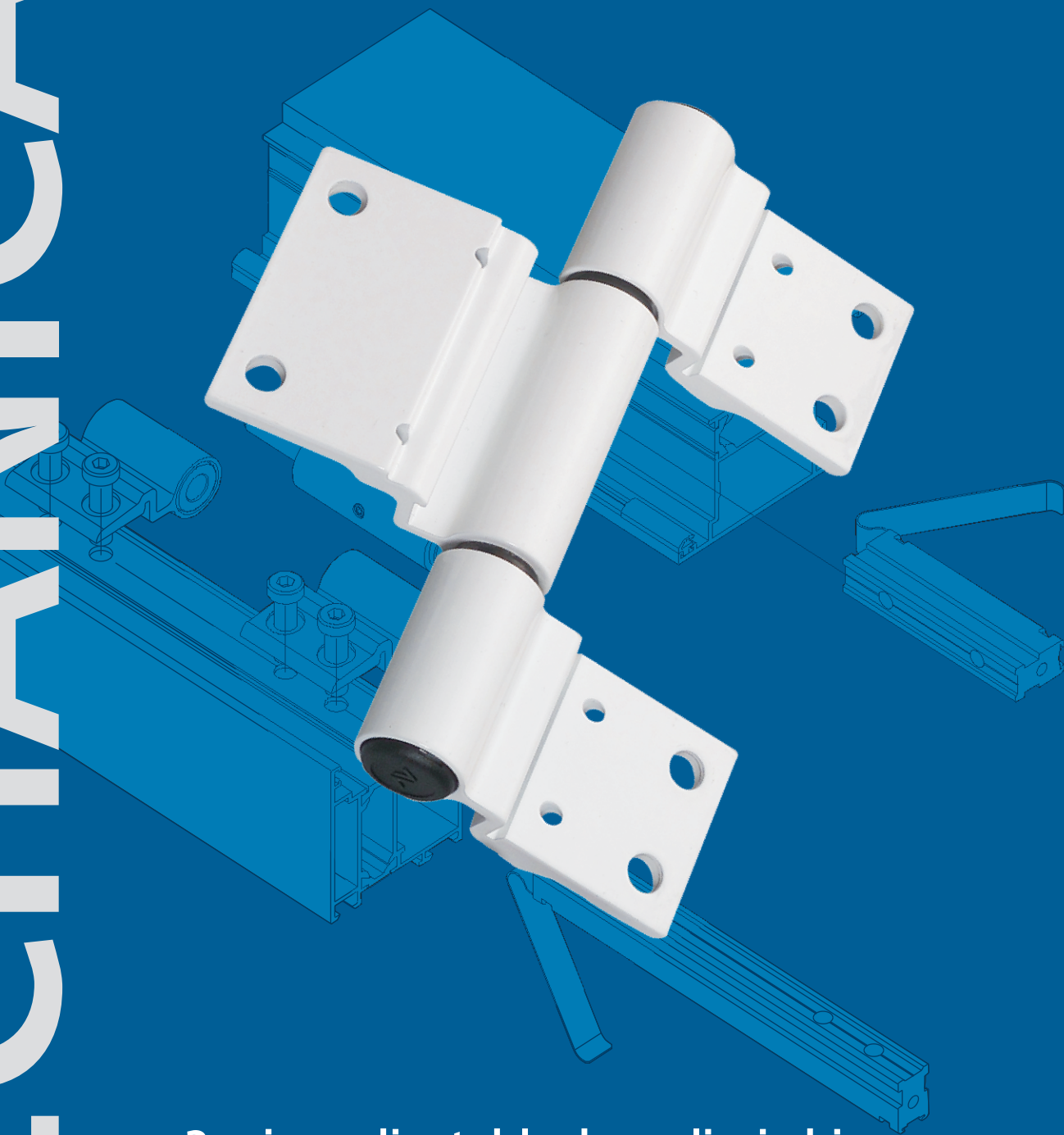


MECHANICA



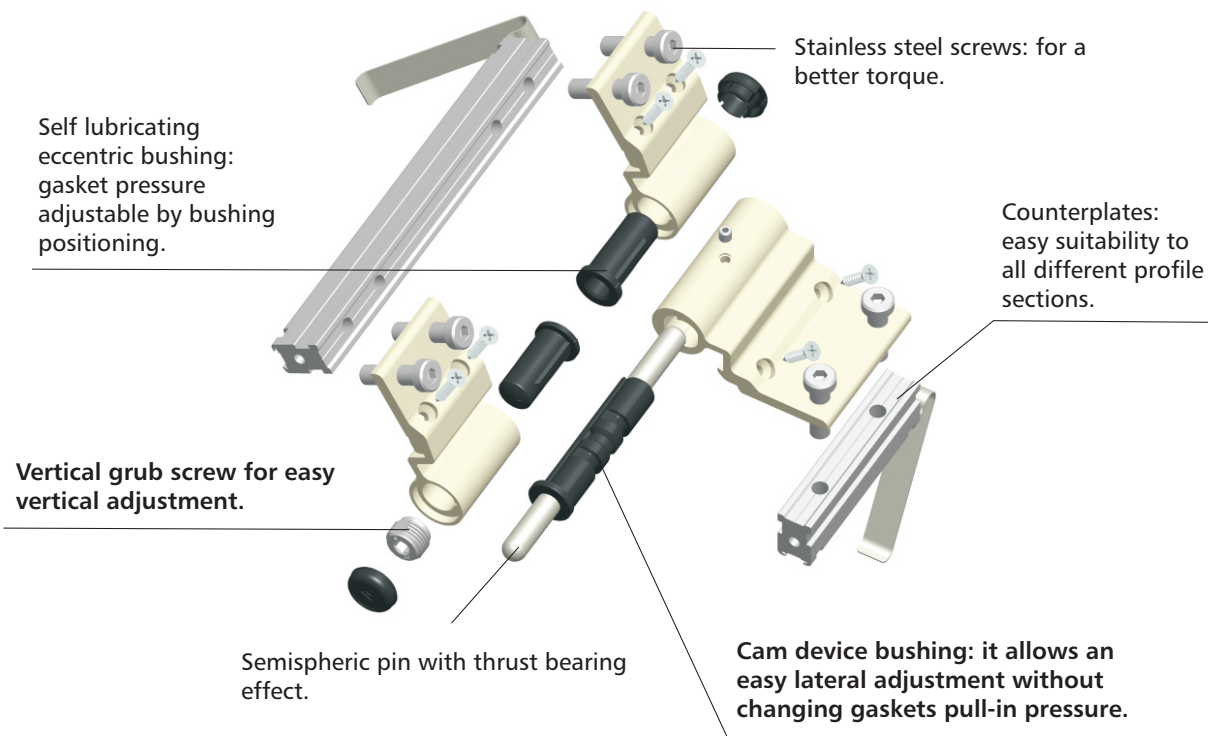
3-wing adjustable door slip-in hinge

CE *Mark*

IN CONFORMITY OF EN 1935 : 2002+AC : 2003

for internal and external openings

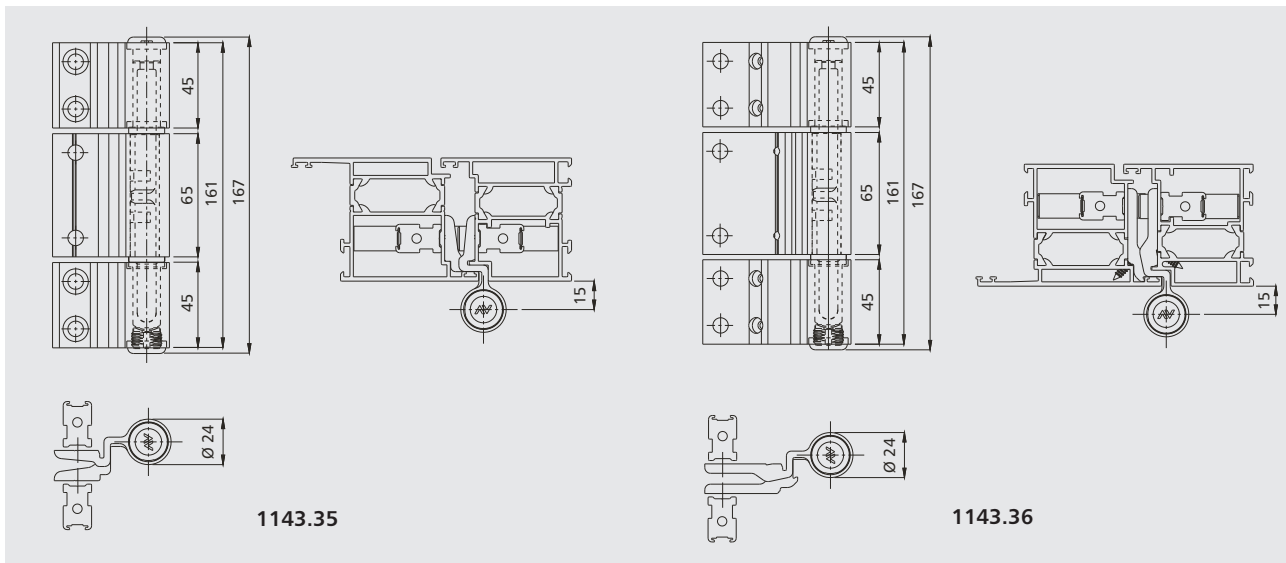
MECHANICA door hinge Art. 1143.35-1143.36



MECHANICA door slip-in hinge

Art.	Description	Pcs.	Finishing
1143.35	MECHANICA (patented) 3-wing adjustable door slip-in hinge made of aluminium, for internal openings, centre of rotation 15 mm, 2 aluminium counterplates, 6 socket head cap screws M8x30 in stainless steel, 2 springs for counterplates in stainless steel, 2 nylon self-lubricating bushings, 2 stainless steel pins, pre-assembled on black galvanized zamak cam device bushing. Carrying capacity: 2 hinges 100 Kg, 3 hinges 120 Kg.	10	8017, 9010, 9016, F
1143.36	MECHANICA (patented) Like 1143.35 but with 4 self-tapping countersunk head screws 4.2x22 and 2 self-tapping countersunk head screws 4.2x19 in galvanized steel. Carrying capacity: 2 hinges 120 Kg, 3 hinges 140 Kg.		

Technical drawings



- DIN EN ISO 14001
- Certified Management System
- DIN EN ISO 9001

Savio S.p.A. Via Torino, 25 (S.S. 25)
10050 Chiusa S. Michele (TO) Italy
Tel. +39.011.964.34.64 - Fax +39.011.964.34.74
www.savio.it - e-mail: export@savio.it

SAVIO
Quality and innovation
for closing systems