

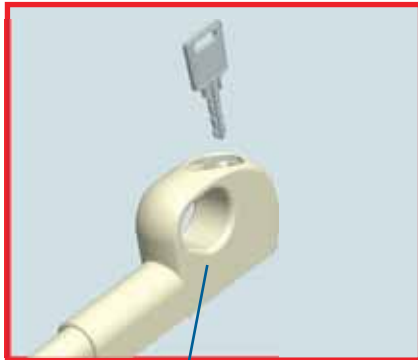
# SICURO



## N E W D O O R B O L T

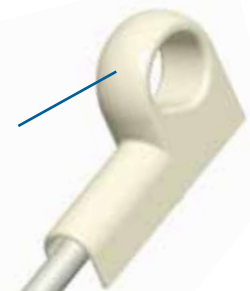
- ▶ New design
- ▶ Excellent ergonomics
- ▶ Enhanced security against intrusion
- ▶ Extensive range: versions with and without key; lengths: 25 cm or 50 cm
- ▶ Travel limitation in the version with key locking
- ▶ Security keeper

# SICURO door bolt



Facility to reduce travel in the key locking version: with bolt in open position, by setting the lock cylinder to the closed position and removing the key.

Excellent ergonomics thanks to the special shape of the grip.



Travel of 40 mm to ensure maximum insertion into keeper.

Rounded end in 304 AISI stainless steel.



Inaccessibility of the fixing screws ensures maximum security of the bolt.

Innovative lock release system.

Outer body in painted ABS liquid varnished, colour coordinated with the body of the bolt.

Made of metal throughout for a uniform finish.

Nylon insert for reduced friction in movements and proper locking action.



Security keeper: ensures enhanced break-in resistance thanks to fixing by means of a central screw that is not accessible when the bolt in its locked position.

Variable spacers: allow the product to be fitted for inward and outward opening doors with rebate depth from 0 to 10 mm.

**Bolts range**

Art.	Description	Pcs.	Finishing
1572/25	(patented) <b>cm 25</b> bolt (travel 40 mm) made of aluminium, stainless steel, nylon and Zamak, 3 countersunk screws Ø 4.2x16 in 304 AISI stainless steel.	10	8019, 9005, 9010, 9660, BR4
1572/50	(patented) As per 1572/25 but <b>50 cm</b> length, 3 countersunk screws Ø 4.2x19 in 304 AISI stainless steel.		

Art.	Description	Pcs.	Finishing
1572.53/25	(patented) <b>cm 25</b> bolt (travel 40 mm) <b>with key</b> , made of aluminium, stainless steel, nylon and Zamak, 3 countersunk screws Ø 4.2x16 and 1 cap screw 4.2x19 in 304 AISI stainless steel.	10	8019, 9005, 9010, 9660, BR4
1572.53/50	(patented) As per 1572.53/25 but <b>50 cm</b> length, 3 countersunk screws Ø 4.2x16 and two cap screws 4.2x19 in 304 AISI stainless steel.  <i>N.B. Travel reduction: with bolt in open position, by setting the lock cylinder to the closed position and removing the key.</i>		

Art.	Description	Pcs.	Finishing
1572.801	Kit composed of: keeper (outer body in painted ABS liquid varnished, core in Zamak), 1 spacer of 5 mm, 2 spacers of 4 mm, 1 spacer of 2 mm made of nylon, 3 cap screws Ø 4.2x32 in white galvanised steel.	10	8019, 9660, BR4, .74, .78

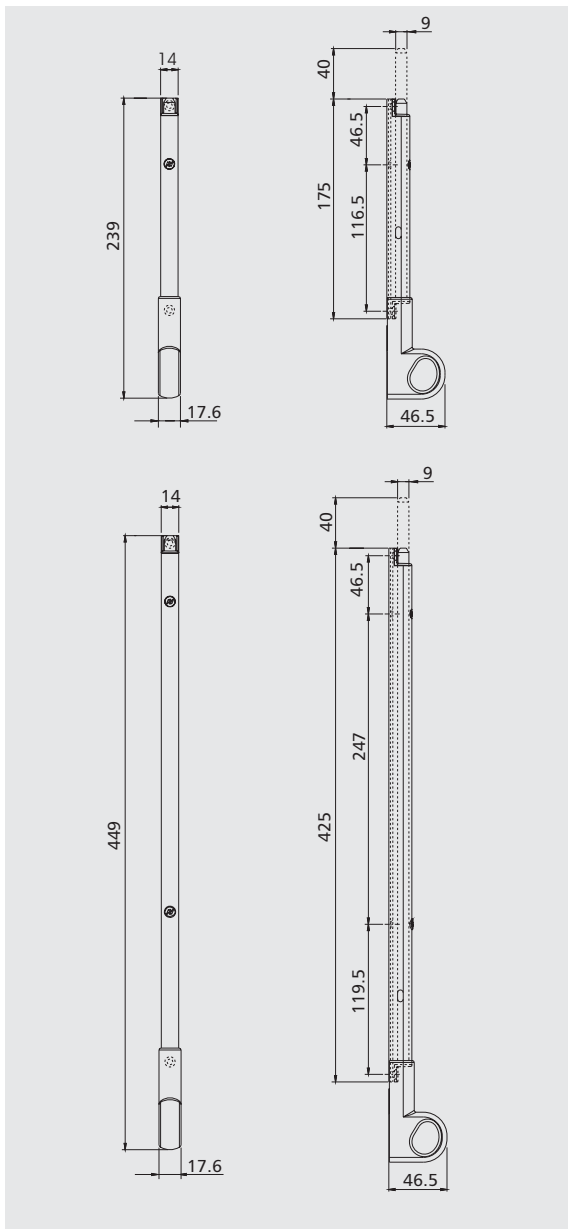
Art.	Description	Pcs.	Finishing
1409/10	Dust-proof brass floor socket Ø 10 mm.	100	

**Finishing table**

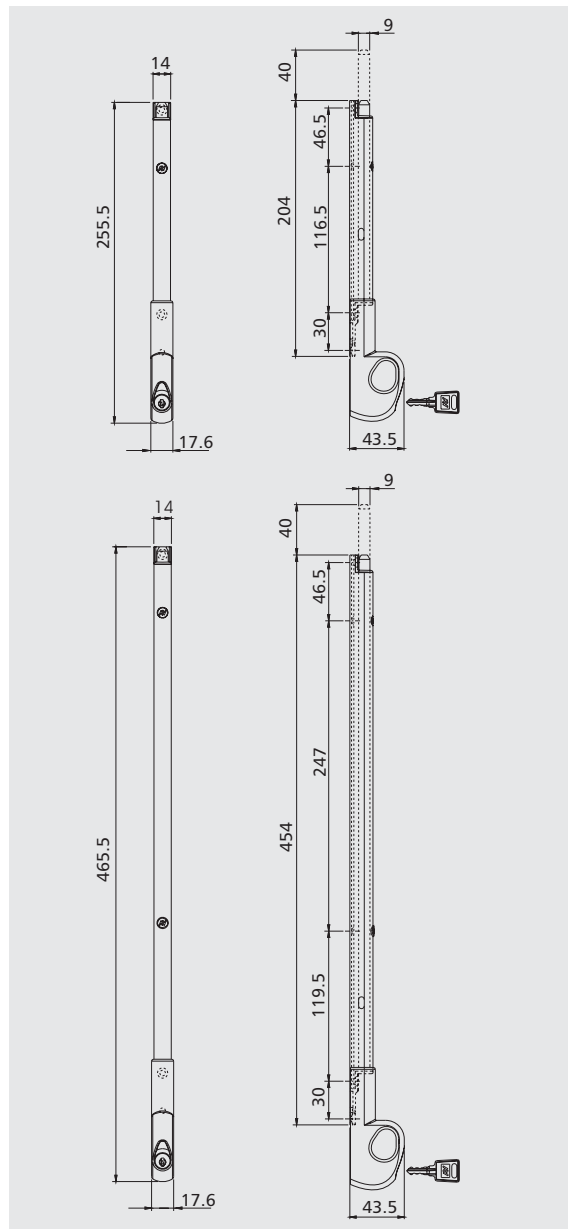
.74 = black	RAL 8019 = coffee RAL powder coated	RAL 9660 = silver powder coated
.78 = white	RAL 9005 = black RAL powder coated	
BR4 = dark bronze liquid varnished	RAL 9010 = white RAL powder coated	

SICURO

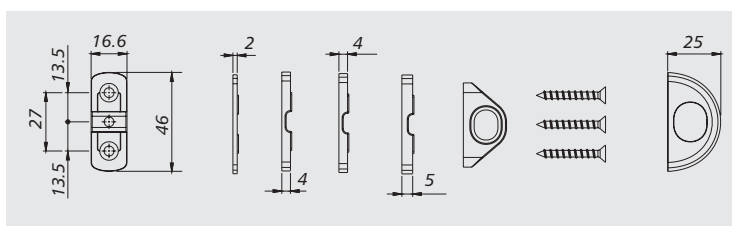
1572/25 - 1572/50



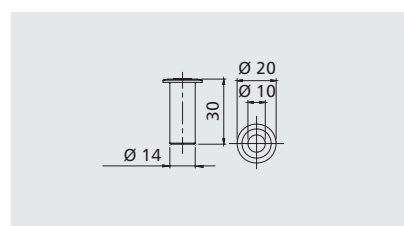
1572.53/25 - 1572.53/50



1572.801



1409/10



Savio S.p.A. reserves the right to modify the technical specifications of products featured in this catalogue at any moment and without warning.



- DIN EN ISO 14001
- Certified Management System
- DIN EN ISO 9001

Savio S.p.A. Via Torino, 25 (S.S. 25)  
10050 Chiusa S. Michele (TO) Italy  
Tel. +39.011.964.34.64 - Fax +39.011.964.34.74  
www.savio.it - e-mail: export@savio.it

**SAVIO**  
*Quality and innovation  
for closing systems*