

SINTESI



NEW MULTIFUNCTION DEVICE

Releaseable

For top hung casements opening out and
horizontal pivot casements



GB 04/2004

AV SAVIO

Top hung casements opening out and horizontal pivot casements : new SINTESI for both solutions

DOUBLE FUNCTIONALITY

Multifunction device is both a locking point and an opening limiter.

It's a single element, quick to install thanks to its frontal fixing.

EASY MANOEUVRING AND REDUCED DIMENSIONS

The device is provided with a big gripping ring that permits a simple and secure manoeuvre.

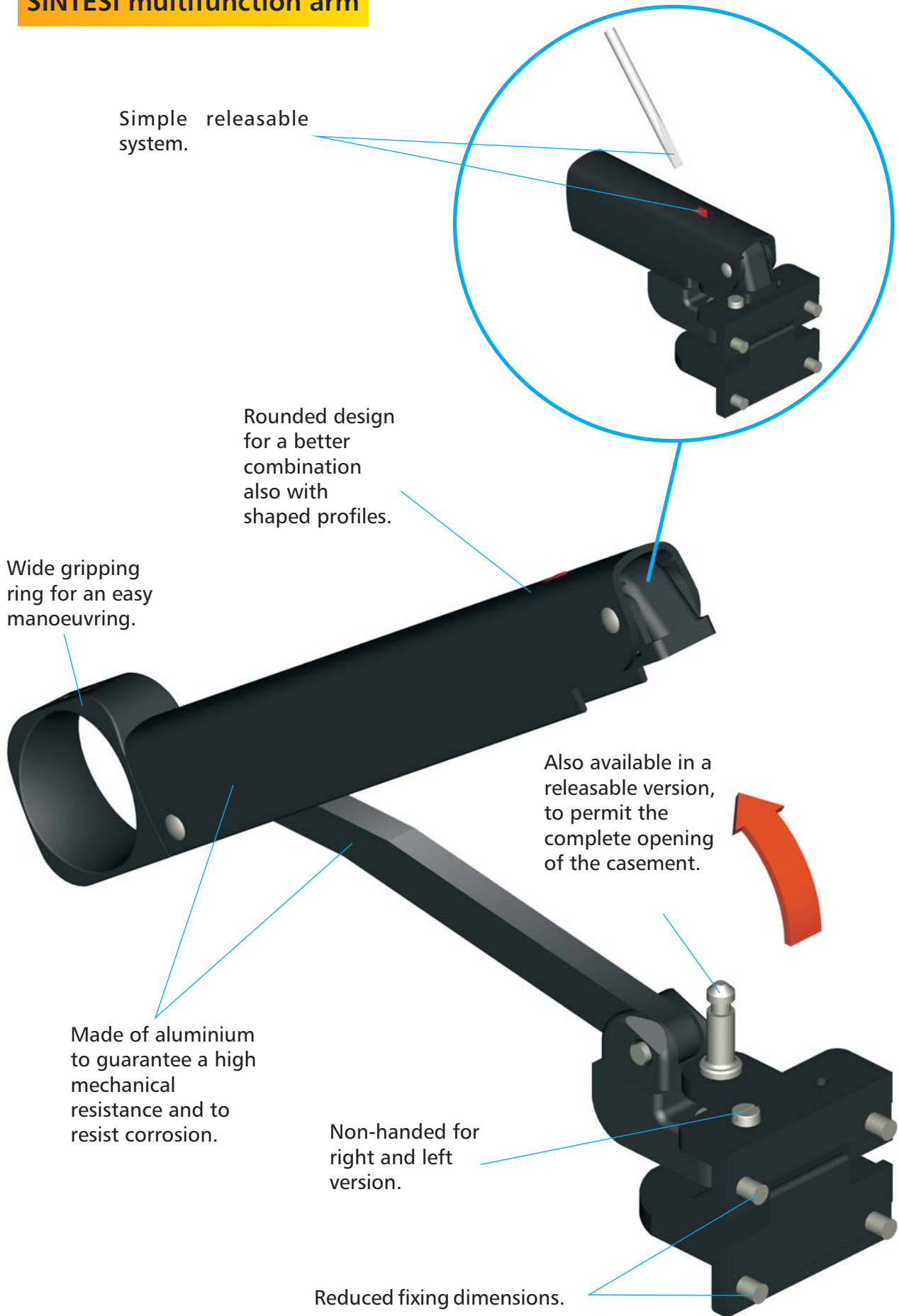
Fixing surfaces with reduced dimensions permit the application of SINTESI on nearly all the profiles.

ALSO RELEASABLE

When SINTESI is combined with a horizontal pivot casement, the possibility to release the device in a simple operation allows the leaf to be completely reversed.

Moreover, in standard unreleased mode, the device restricts the opening position, guaranteeing maximum security and safety against persons manoeuvring the window.

SINTESI multifunction arm



Simple releasable system.

Rounded design for a better combination also with shaped profiles.

Wide gripping ring for an easy manoeuvring.

Also available in a releasable version, to permit the complete opening of the casement.

Made of aluminium to guarantee a high mechanical resistance and to resist corrosion.

Non-handed for right and left version.

Reduced fixing dimensions.

Multifunction devices



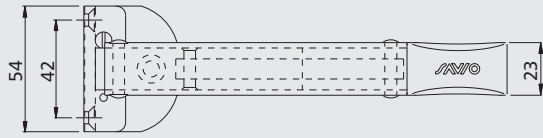
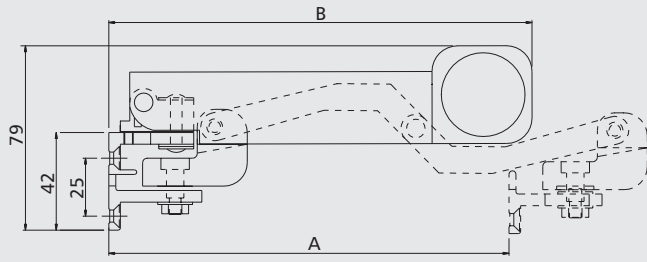
Art.	Description	Pcs.	Finishes
1206/1	(pat.) Aluminium, nylon and stainless steel inox 430 multifunction device, 1 pre-assembled cap screw M4x5 and 4 stainless steel 304 c'sk hd. screws M5x12 (self-forming), dimension 1 (172 mm).	10	F, NE, ZE, 9010
1206/2	(pat.) Like 1206/1 but dimension 2 (300 mm).	10	F, NE, ZE, 9010



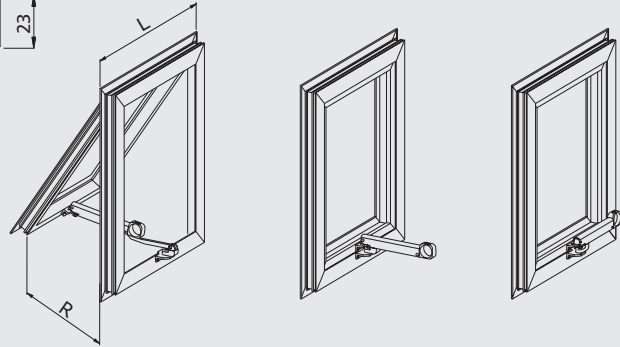
Art.	Description	Pcs.	Finishes
1206.1/1	(pat.) Aluminium, nylon and stainless steel inox 430 releasable multifunction device, 1 pre-assembled cap screw M4x5 and 4 stainless steel 304 c'sk hd. screws M5x12 (self-forming), dimension 1 (172 mm).	10	F, NE, ZE, 9010
1206.1/2	(pat.) Like 1206.1/1 but dimension 2 (300 mm).	10	F, NE, ZE, 9010

NEW!

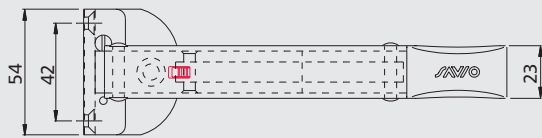
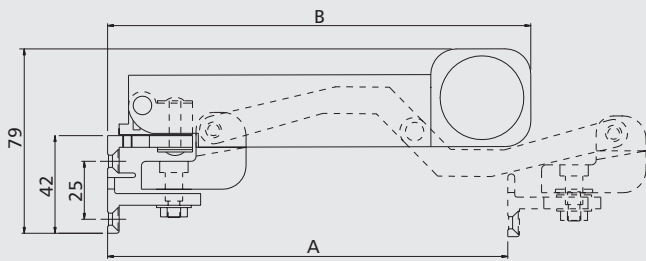
1206/1 - 1206/2



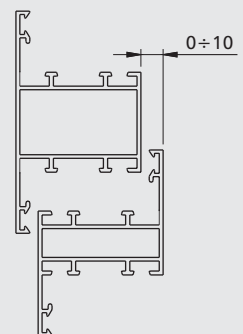
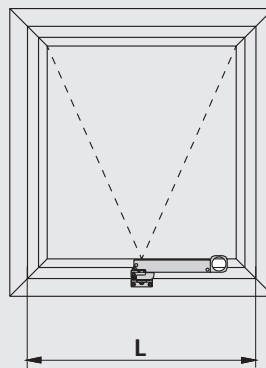
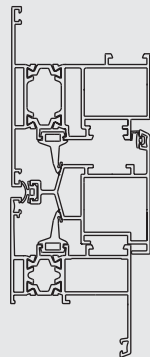
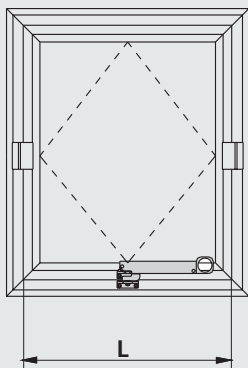
Art.	A	B	R	L
1206/1	172	182	125	300 - 1200
1206/2	300	246	255	



1206.1/1 - 1206.1/2



Art.	A	B	R	L
1206.1/1	172	182	125	300 - 1200
1206.1/2	300	246	255	



Suitability table for italian profiles

EXTRUDER	PROFILE	1206/1	1206/2	1206.1/2	1206.1/1
AL SYSTEM	GLOBAL 41	•	•	•	•
	GLOBAL 48	•	•	•	•
ALCAN	GREEN 45 sorm.	•	•	•	•
	GREEN ragg.	•	•	•	•
	POINT ragg.	•	•	•	•
	POINT sorm.	•	•	•	•
ALCOA	R 40	•	•	•	•
	R 40 ragg.	•	•	•	•
	R 50	•	•	•	•
	R 50 TT	•	•	•	•
	R 50 TT barra cont.	•	•	•	•
	WIN54 sorm.			•	•
	WIN54TT sorm.			•	•
	WIN62 sorm.			•	•
	WIN62TT sorm.			•	•
	WIN70TT			•	•
ALEXIA	ESEDRA GA 53	•	•	•	•
	ESEDRA GA 53 ragg.	•	•	•	•
	ESEDRA LIGHT 42/50	•	•	•	•
ALL.CO	ALL.CO 5 compl.	•	•	•	•
	ALL.CO 5 sorm.	•	•	•	•
	ALL.CO 5 TT compl.	•	•	•	•
	ALL.CO P 4 sorm.	•	•	•	•
	ALL.CO P 4 sorm.ragg.	•	•	•	•
	EXPORT 40	•	•	•	•
	EXPORT 45	•	•	•	•
	EXPORT 45 Raggiato	•	•	•	•
	EXPORT 45 T	•	•	•	•
	EXPORT 45 T Ragg.	•	•	•	•
	EXPORT 45 TT	•	•	•	•
	EXPORT 45 TT Ragg.	•	•	•	•
	EXPORT 50	•	•	•	•
	EXPORT 50 T			•	•
	EXPORT 50 TT			•	•
	K 40	•	•	•	•
	K 40 Ragg.	•	•	•	•
	K 45T	•	•	•	•
	K 64T	•	•	•	•
K 70T	•	•	•	•	
	NEW AGE	•	•	•	•
ALUMEC	SYNTESES 45	•	•	•	•
	SYNTESES 57	•	•	•	•
	SYNTESES 60TT			•	•
ASTE INTERNE	FB 12	•	•	•	•
	GR 9	•	•	•	•
	NC 40	•	•	•	•
	NC 50	•	•	•	•
BODEGA	BGA 50 Ragg.	•	•	•	•
	BT 60 TT			•	•
CLL	TECNO 50	•	•	•	•
DEMAL	PRESTIGE 48	•	•	•	•
EQUIPE	SERIE 8000	•	•	•	•
HYDRO	BREAK PA 52			•	•
	BREAK PA 63			•	•
	BREAK PA 70			•	•
	BREAK PA 70 S			•	•
	DOMAL 40	•	•	•	•
	DOMAL 40 ragg.	•	•	•	•
	STOPPER PG	•	•	•	•
	STOPPER PG ragg.	•	•	•	•

EXTRUDER	PROFILE	1206/1	1206/2	1206.1/1	1206.1/2
IND.INVEST	ALPHA 255	●	●	●	●
	ALPHA 445	●	●	●	●
	GOLD 400	●	●	●	●
	GOLD 400 ragg.	●	●	●	●
	GOLD 450	●	●	●	●
	GOLD 490	●	●	●	●
	GOLD 500	●	●	●	●
	GOLD 500 ragg.	●	●	●	●
	GOLD 600	●	●	●	●
METRA	N. NC 40 sorm.	●	●	●	●
	NC 45 INT.	●	●	●	●
	NC 45 INT.ragg.	●	●	●	●
	NC 45 STH	●	●	●	●
	NC 55 INT.			●	●
	NC 68 STH			●	●
MORELLI	MA 9600	●	●	●	●
	MA 9800	●	●	●	●
OCMA	FC 55 MONTECARLO	●	●	●	●
	FC 55 RESTAURO	●	●	●	●
	FC TT 60 POLO			●	●
	SV 39	●	●	●	●
	SV 39/47 ragg.	●	●	●	●
	SV 47/55	●	●	●	●
	SV TT55			●	●
PASSERINI	EKIP 40 NUOVO compl.			●	●
	MAASTRICHT 53	●	●	●	●
	MAASTRICHT LIGHT	●	●	●	●
	MAASTRICHT TH 60			●	●
	MAASTRICHT TH 68			●	●
PONZIO SUD	NEW TEC 50	●	●	●	●
	NEW TEC 52	●	●	●	●
	WINDSTOP 45 by PONZIO	●	●	●	●
	WINDSTOP 45 by PONZIO ragg.	●	●	●	●
	WINDSTOP 45 TT by PONZIO			●	●
PROFILATI	EKU 53	●	●	●	●
	EKU 53 ragg.	●	●	●	●
	PE 40	●	●	●	●
	PE 40 ragg.	●	●	●	●
	PE 50	●	●	●	●
SCHUCO	ROYAL S 50 N sorm.	●	●	●	●
	ROYAL S 55 sorm.	●	●	●	●
	ROYAL S 65 sorm.	●	●	●	●

Savio Spa reserves the right to modify the technical specifications of products featured in this catalogue at any moment and without warning.

Enter the world of SAVIO on-line:
www.savio.it

Look for the quality of SAVIO new multifunction device and the full range of SAVIO products on the group's site. Discover the advantages offered by a company portal, constantly evolving to offer market operators new services. As well as company information and the product news, you will find a series of free services aimed at the professional sector.

Just register and fill in the provided on-line form.

Every day, around the clock, you will be able to :

- *consult all technical documentation (catalogues, brochures, assembly instructions, etc.) and download it in PDF format;*
- *use the "Savio Web Assistance" service;*
- *be constantly updated on all new developments on the site via e-mail;*
- *be the first to know about promotional offers.*

It's easy to stay up-to-date with www.savio.it all it takes is a click!

