

VARIABLE GEOMETRY FRICTIONING STAY ARMS FOR CURTAIN WALLS AND WINDOWS

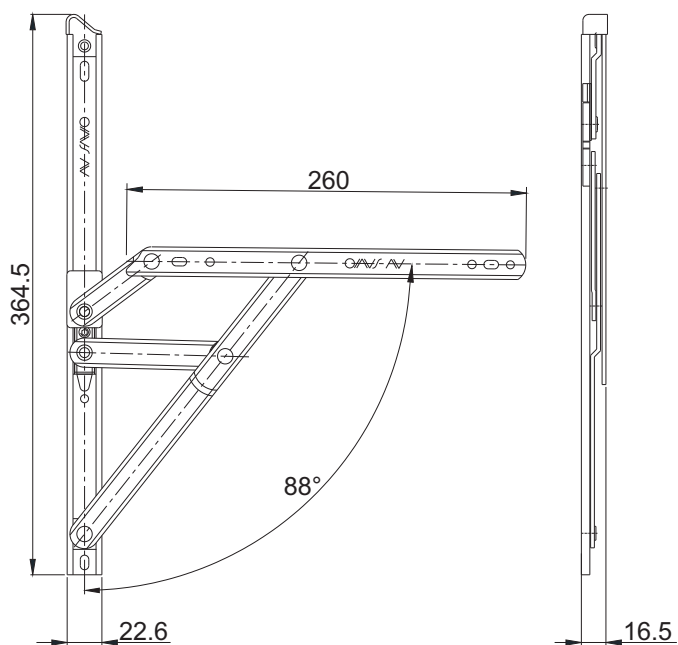
MAIN FEATURES:

- Easy to install
- Longlasting
- High performances
- Tested for 25.000 cycles (EN 13126-6)
- Weight capacity until 45 Kg (/16 version)

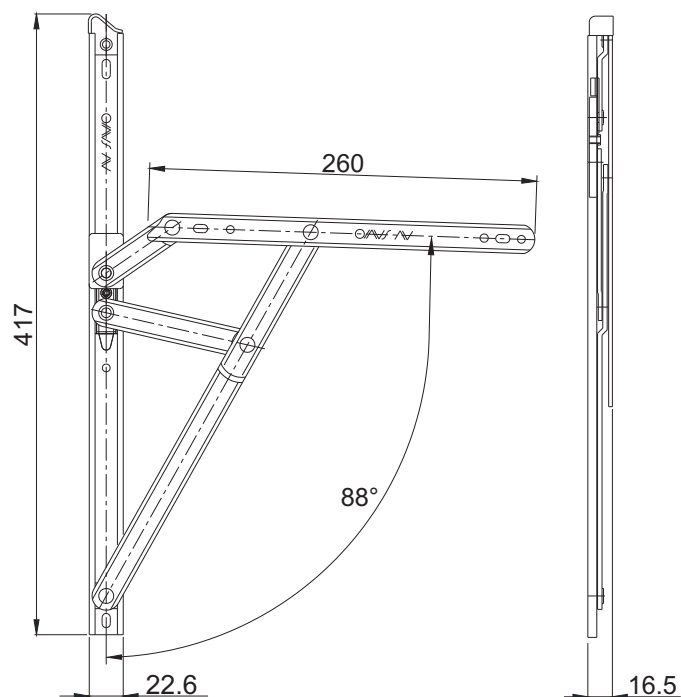


TECHNICAL DRAWINGS

1330.1SH/14



1330.1SH/16



**VARIABLE GEOMETRY
FRICTIONING STAY ARMS
FOR CURTAIN WALLS AND
WINDOWS**

**1330.1SH/14
1330.1SH/16**



CODE	DESCRIPTION	FINISHES	PCS.
1330.1SH/14	Couple of stay arms for side hung window, length of 14" (355,6 mm), in austenitic (not magnetic) AISI 304 stainless steel, adjustment frictioning grub screw, opening angle 88°. Weight capacity 43 Kg (94,80 lbs). Suitable to profiles with clearance ≥ 16.5 mm.		5
1330.1SH/16	Couple of stay arms for side hung window, length of 16" (406,40 mm), in austenitic (not magnetic) AISI 304 stainless steel, adjustment frictioning grub screw, opening angle 88°. Weight capacity 45 Kg (99,208 lbs). Suitable to profiles with clearance ≥ 16.5 mm.		5

APPLICATION FIELD

CODE		MIN/MAX HEIGHT (mm)	MAX WIDTH (mm)	OPENING ANGLE (+/- 2°)	WEIGHT CAPACITY (Kg)
1330.1SH/14	14"	1200	550/700	88	43
1330.1SH/16	16"	1200	650/800	88	45