

MULTI-POINT CLOSURES FOR SLIDING SYSTEMS

MAIN FEATURES:

- Stainless and galvanized steel versions
- Backset of 7.5 and 15 mm each available in lengths of 300, 600, 1000 or 1800 mm
- Equipped with security against false operation (except for the length of 300 mm) and anti-lifting device (except for the length of 300 mm in stainless steel)



MULTI-POINT CLOSURES



ITEM	DESCRIPTION	PCS.
2154.7/30	Multi-point closure for sliding systems in galvanized steel, 1 closing point, with anti-lifting device , backset of 7.5 mm. Length of 300 mm. Tested at 480 hours in salt spray.	6



ITEM	DESCRIPTION	PCS.
2154.7/30X	Multi-point closure for sliding systems in stainless steel, 2 closing points, backset of 7.5 mm. Length of 300 mm.	6

MULTI-POINT CLOSURES FOR SLIDING SYSTEMS

2154...

MULTI-POINT CLOSURES



ITEM	DESCRIPTION	PCS.
2154.7/60	Multi-point closure for sliding systems in galvanized steel , 2 closing points, with anti-lifting device and security against false operation , backset of 7.5 mm. Length of 600 mm. Tested at 480 hours in salt spray.	6



ITEM	DESCRIPTION	PCS.
2154.7/60X	Multi-point closure for sliding systems in stainless steel , 2 closing points, with anti-lifting device and security against false operation , backset of 7.5 mm. Length of 600 mm.	6



ITEM	DESCRIPTION	PCS.
2154.7/100	Multi-point closure for sliding systems in galvanized steel , 2 closing points, with anti-lifting device and security against false operation , backset of 7.5 mm. Length of 1000 mm. Tested at 480 hours in salt spray.	6



ITEM	DESCRIPTION	PCS.
2154.7/100X	Multi-point closure for sliding systems in stainless steel , 2 closing points, with anti-lifting device and security against false operation , backset of 7.5 mm. Length of 1000 mm.	6

MULTI-POINT CLOSURES FOR SLIDING SYSTEMS

2154...

MULTI-POINT CLOSURES



ITEM	DESCRIPTION	PCS.
2154.7/180	Multi-point closure for sliding systems in galvanized steel , 3 closing points, with anti-lifting device and security against false operation , backset of 7.5 mm. Length of 1800 mm. Tested at 480 hours in salt spray.	6



ITEM	DESCRIPTION	PCS.
2154.7/180X	Multi-point closure for sliding systems in stainless steel , 4 closing points, with anti-lifting device and security against false operation , backset of 7.5 mm. Length of 1800 mm.	6



ITEM	DESCRIPTION	PCS.
2154.15/30	Multi-point closure for sliding systems in galvanized steel , 1 closing point, with anti-lifting device , backset of 15 mm. Length of 300 mm. Tested at 480 hours in salt spray.	6



ITEM	DESCRIPTION	PCS.
2154.15/30X	Multi-point closure for sliding systems in stainless steel , 2 closing points, backset of 15 mm. Length of 300 mm.	6

MULTI-POINT CLOSURES FOR SLIDING SYSTEMS

2154...

MULTI-POINT CLOSURES



ITEM	DESCRIPTION	PCS.
2154.15/60	Multi-point closure for sliding systems in galvanized steel , 2 closing points, with anti-lifting device and security against false operation , backset of 15 mm. Length of 600 mm. Tested at 480 hours in salt spray.	6



ITEM	DESCRIPTION	PCS.
2154.15/60X	Multi-point closure for sliding systems in stainless steel , 2 closing points, with anti-lifting device and security against false operation , backset of 15 mm. Length of 600 mm.	6



ITEM	DESCRIPTION	PCS.
2154.15/100	Multi-point closure for sliding systems in galvanized steel , 2 closing points, with anti-lifting device and security against false operation , backset of 15 mm. Length of 1000 mm. Tested at 480 hours in salt spray.	6



ITEM	DESCRIPTION	PCS.
2154.15/100X	Multi-point closure for sliding systems in stainless steel , 2 closing points, with anti-lifting device and security against false operation , backset of 15 mm. Length of 1000 mm.	6

MULTI-POINT CLOSURES FOR SLIDING SYSTEMS

2154...

MULTI-POINT CLOSURES AND RECESSED HANDLE



ITEM	DESCRIPTION	PCS.
2154.15/180	Multi-point closure for sliding systems in galvanized steel , 3 closing points, with anti-lifting device and security against false operation , backset of 15 mm. Length of 1800 mm. Tested at 480 hours in salt spray.	6



ITEM	DESCRIPTION	PCS.
2154.15/180X	Multi-point closure for sliding systems in stainless steel , 4 closing points, with anti-lifting device and security against false operation , backset of 15 mm. Length of 1800 mm.	6



ITEM	DESCRIPTION	PCS.
2154.751/180	Multi-point closure for sliding systems preset for cylinder , 3 closing points, in galvanized steel , with anti-lifting device and security against false operation , backset of 15 mm. Length of 1800 mm. Tested at 480 hours in salt spray.	6



ITEM	DESCRIPTION	FINISHES	PCS.
2061	Recessed handle with grip and base in zamak, distance between centres of 43 mm , square spindle of 7 mm , 2 countersunk head screws M5x50 in galvanized steel and 2 nylon cover machining caps.	9005, 9010, SILV	20

MULTI-POINT CLOSURES FOR SLIDING SYSTEMS

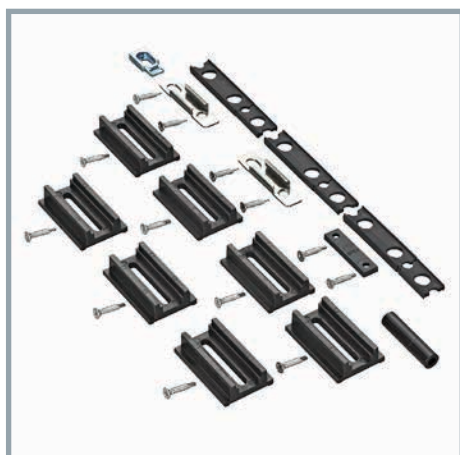
2154...

FITTING KIT



ITEM	DESCRIPTION	PCS.
2154.801/30	Fitting kit for multi-point closures of 300 mm, including: 2 nylon lock shims, 1 nylon spacer, 2 nylon keeper shims, 1 zamak adapter for anti-lifting device, 2 keepers in stainless steel 304, 6 self-drilling countersunk head screws Ø 3.5x19 mm in stainless steel. For NC 60 Int. profiles.	12
2154.802/30	Like 2154.801/30 but for Win 90 S profiles.	12
2154.803/30	Like 2154.801/30 but for Domal Slide PA 80 profiles.	12
2154.804/30	Like 2154.801/30 but for Triall.co 65 S/65 TT profiles.	12
2154.811/30	Like 2154.801/30 but for Skeit 60/Export 60 profiles.	12

ITEM	DESCRIPTION	PCS.
2154.801/60	Fitting kit for multi-point closures of 600 mm, including: 6 nylon lock shims, 1 nylon spacer, 3 nylon keeper shims, 1 zamak adapter for anti-lifting device, 1 nylon shim for security against false operation, 2 keepers in stainless steel 304, 12 self-drilling countersunk head screws Ø 3.5x19 mm in stainless steel. For NC 60 Int. profiles.	12
2154.802/60	Like 2154.801/60 but for Win 90 S profiles.	6
2154.803/60	Like 2154.801/60 but for Domal Slide PA 80 profiles.	12
2154.804/60	Like 2154.801/60 but for Triall.co 65 S/65 TT profiles.	12
2154.811/60	Like 2154.801/60 but for Skeit 60/Export 60 profiles.	12



ITEM	DESCRIPTION	PCS.
2154.801/100	Fitting kit for multi-point closures of 1000 mm, including: 7 nylon lock shims, 1 nylon spacer, 3 nylon keeper shims, 1 zamak adapter for anti-lifting device, 1 nylon shim for security against false operation, 2 keepers in stainless steel 304, 13 self-drilling countersunk head screws Ø 3.5x19 mm in stainless steel. For NC 60 Int. profiles.	12
2154.802/100	Like 2154.801/100 but for Win 90 S profiles.	6
2154.803/100	Like 2154.801/100 but for Domal Slide PA 80 profiles.	12
2154.804/100	Like 2154.801/100 but for Triall.co 65 S/65 TT profiles.	12
2154.811/100	Like 2154.801/100 but for Skeit 60/Export 60 profiles.	12

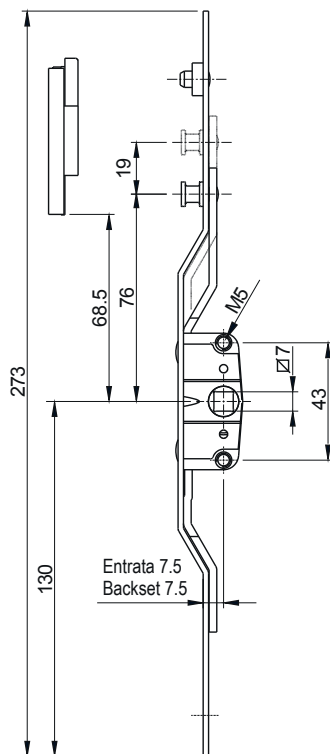
ITEM	DESCRIPTION	PCS.
2154.801/180	Fitting kit for multi-point closures of 1800 mm, including: 11 nylon lock shims, 1 nylon spacer, 5 nylon keeper shims, 1 zamak adapter for anti-lifting device, 1 nylon shim for security against false operation, 4 keepers in stainless steel 304, 19 self-drilling countersunk head screws Ø 3.5x19 mm in stainless steel. For NC 60 Int. profiles.	12
2154.802/180	Like 2154.801/180 but for Win 90 S profiles.	6
2154.803/180	Like 2154.801/180 but for Domal Slide PA 80 profiles.	6
2154.804/180	Like 2154.801/180 but for Triall.co 65 S/65 TT profiles.	12
2154.811/180	Like 2154.801/180 but for Skeit 60/Export 60 profiles.	12

MULTI-POINT CLOSURES FOR SLIDING SYSTEMS

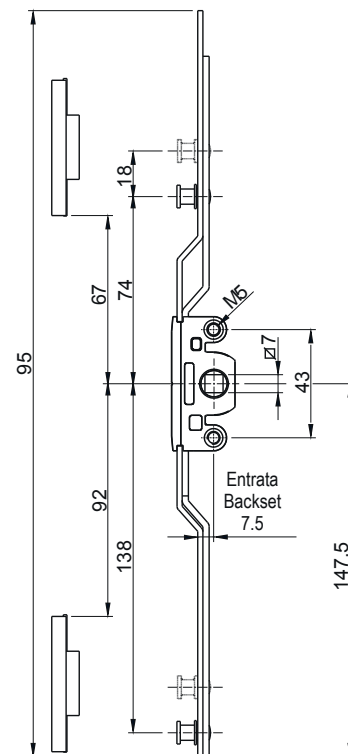
2154...

TECHNICAL DRAWINGS

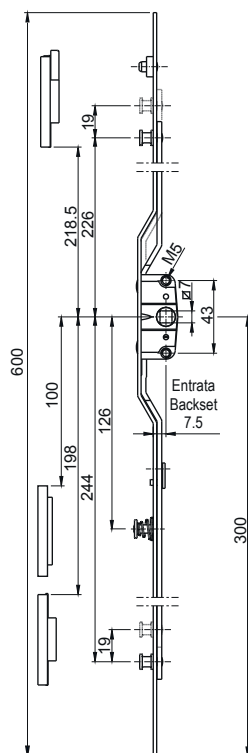
2154.7/30



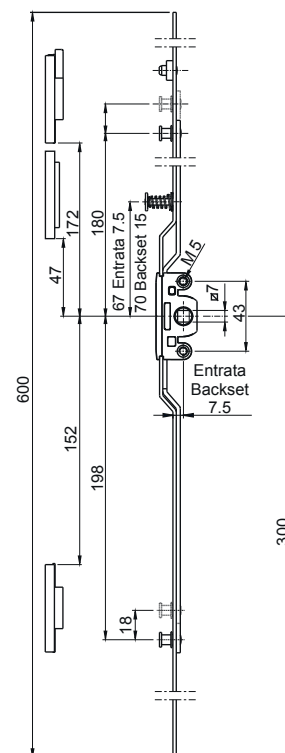
2154.7/30X



2154.7/60



2154.7/60X

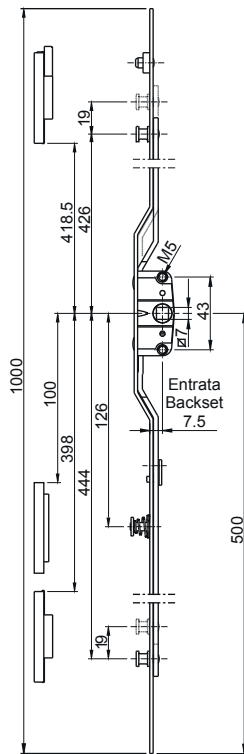


MULTI-POINT CLOSURES FOR SLIDING SYSTEMS

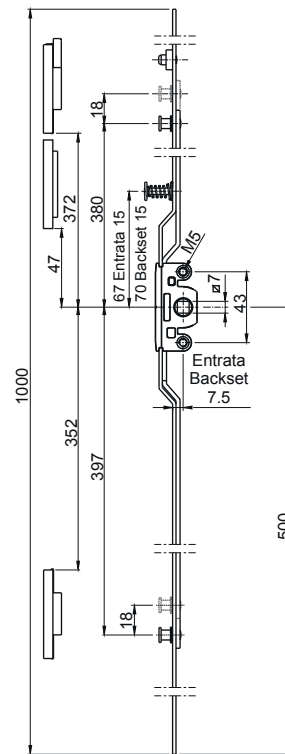
2154...

TECHNICAL DRAWINGS

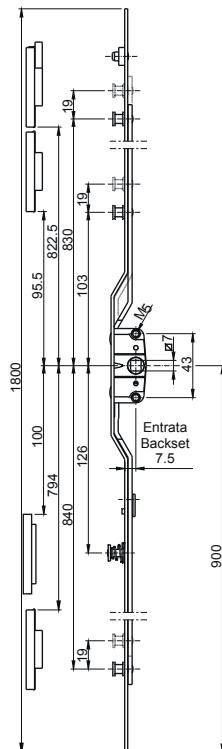
2154.7/100



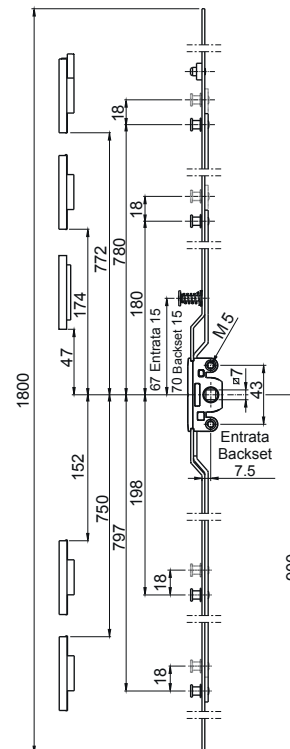
2154.7/100X



2154.7/180



2154.7/180X

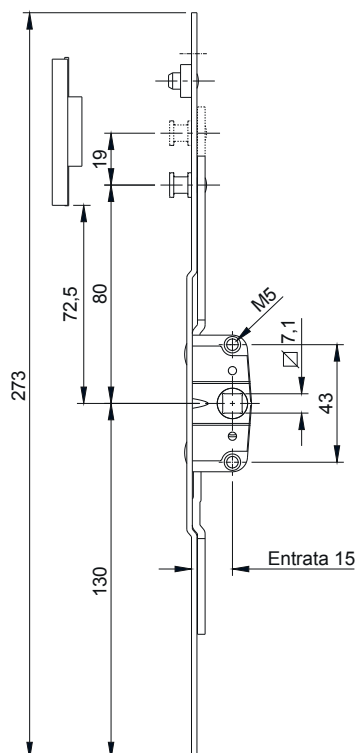


MULTI-POINT CLOSURES FOR SLIDING SYSTEMS

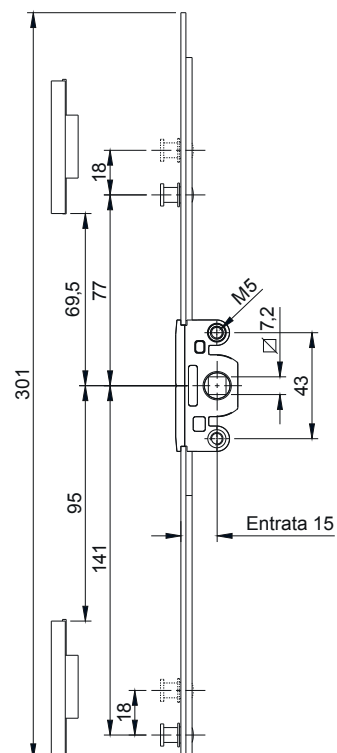
2154...

TECHNICAL DRAWINGS

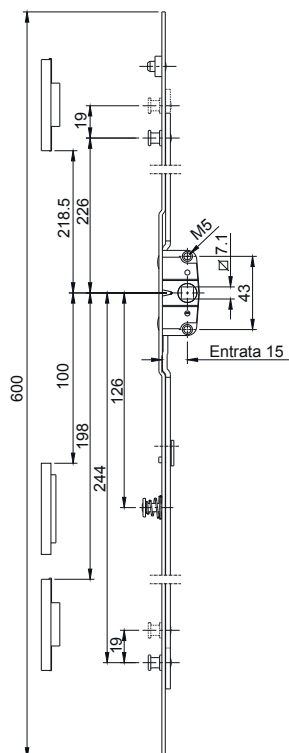
2154.15/30



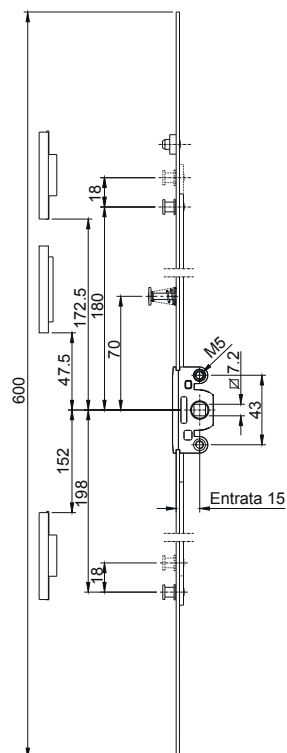
2154.15/30X



2154.15/60



2154.15/60X

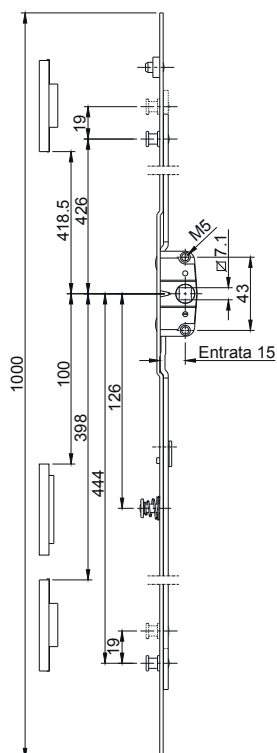


MULTI-POINT CLOSURES FOR SLIDING SYSTEMS

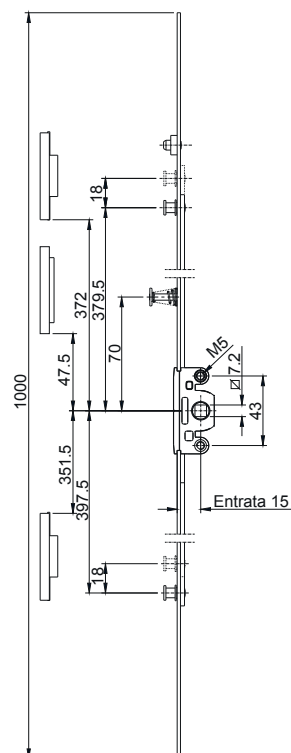
2154...

TECHNICAL DRAWINGS

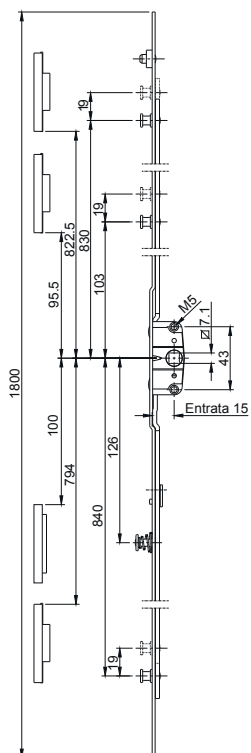
2154.15/100



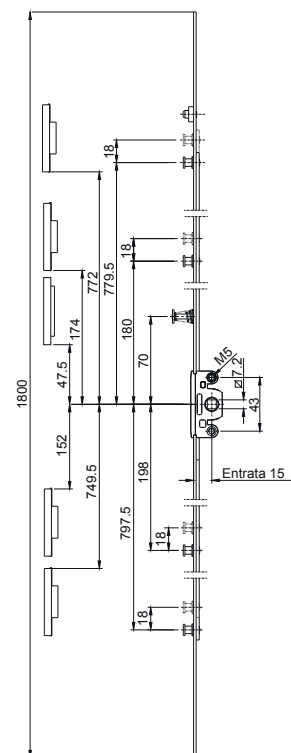
2154.15/100X



2154.15/180



2154.15/180X

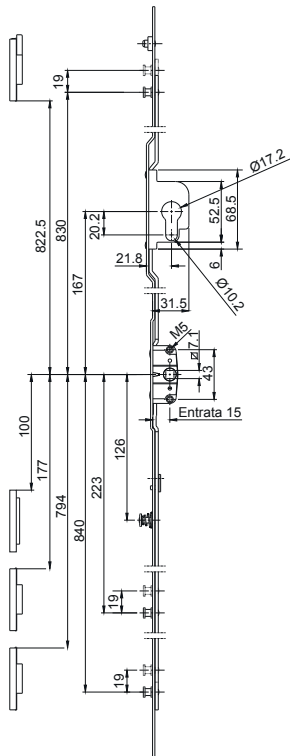


MULTI-POINT CLOSURES FOR SLIDING SYSTEMS

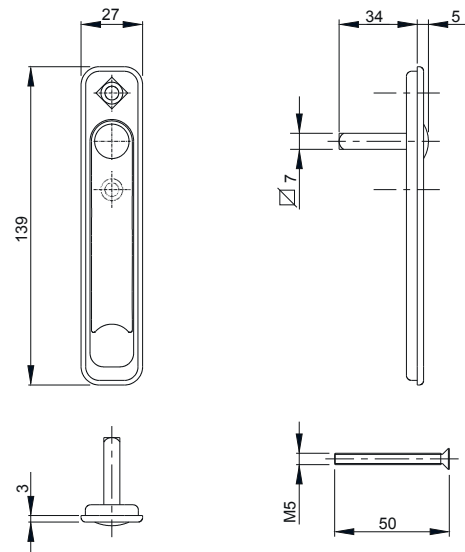
2154...

TECHNICAL DRAWINGS

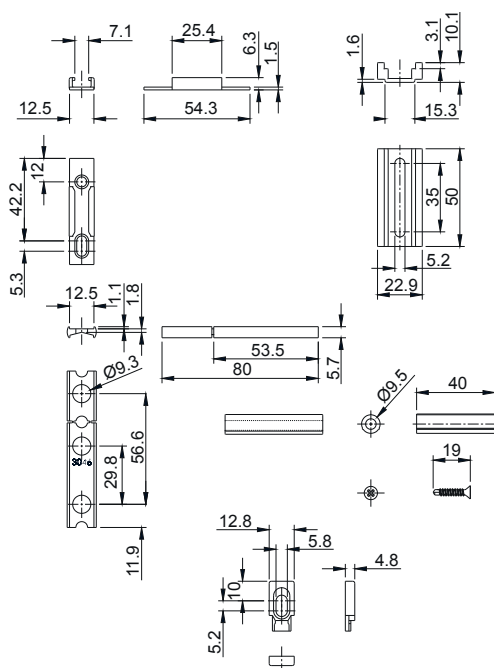
2154.751/180X



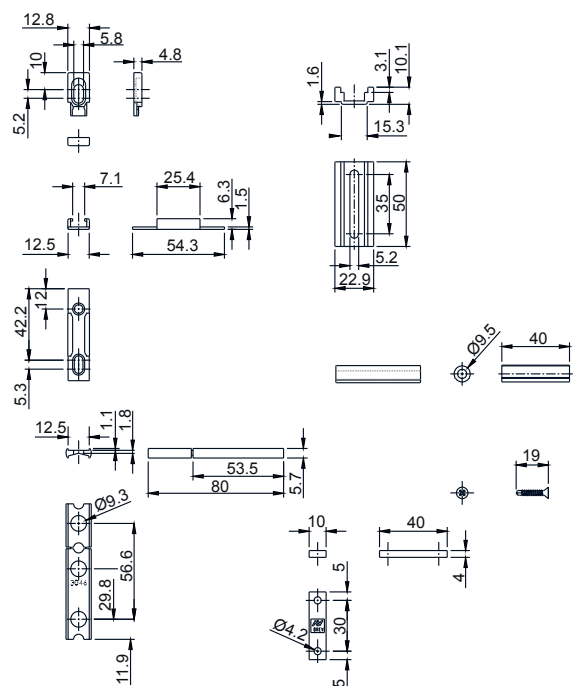
2061



2154.801/30



2154.801/60

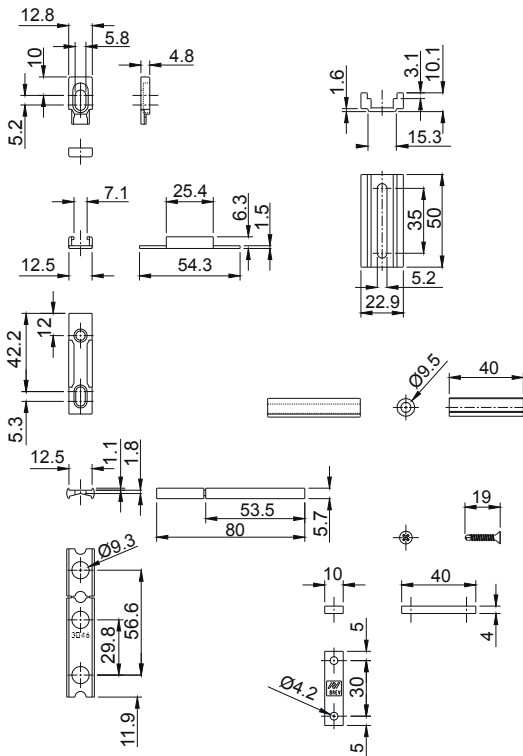


MULTI-POINT CLOSURES FOR SLIDING SYSTEMS

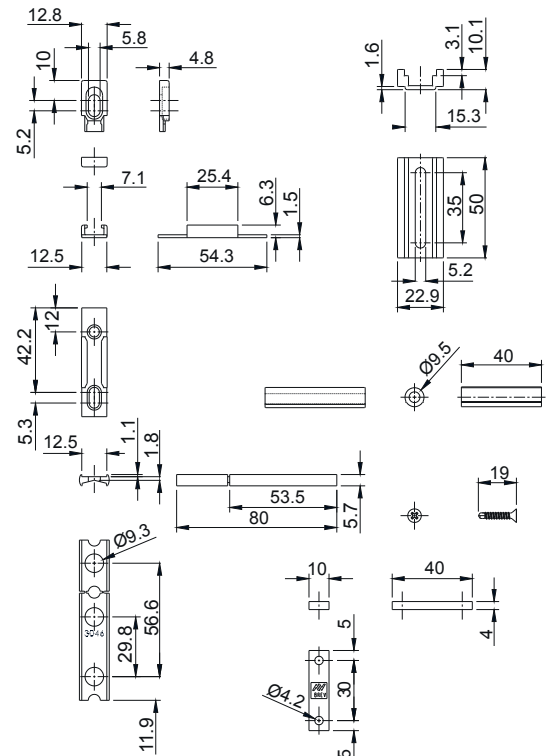
2154...

TECHNICAL DRAWINGS

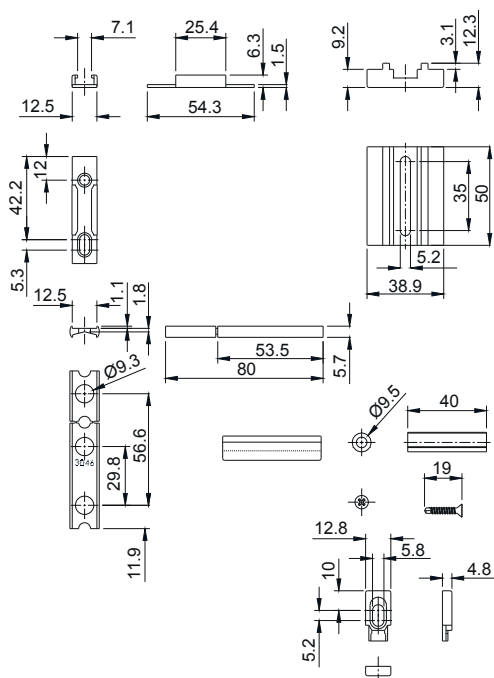
2154.801/100



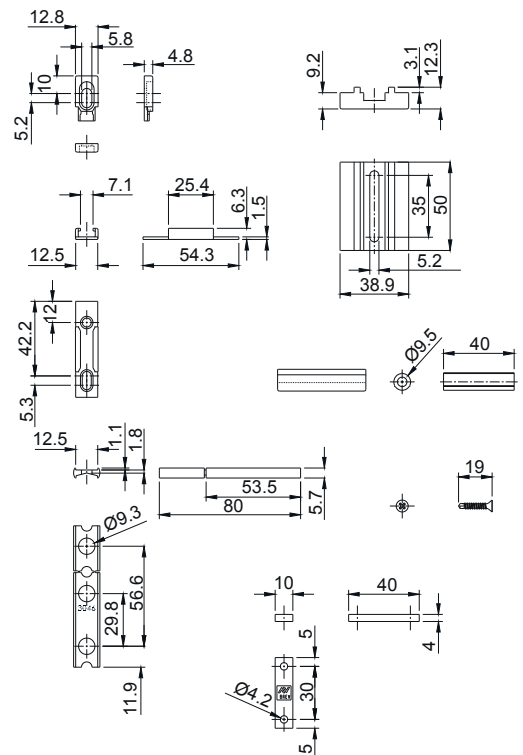
2154.801/180



2154.802/30



2154.802/60

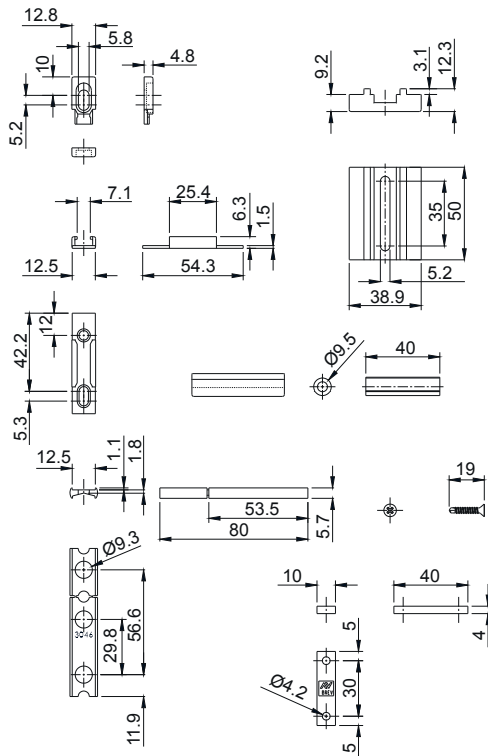


MULTI-POINT CLOSURES FOR SLIDING SYSTEMS

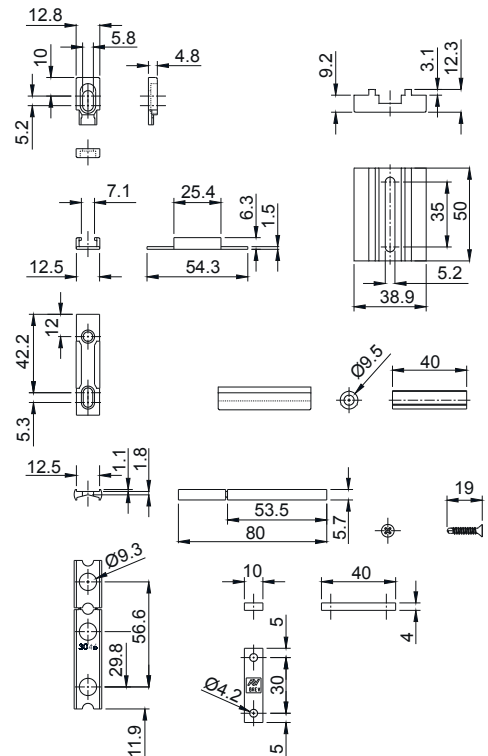
2154...

TECHNICAL DRAWINGS

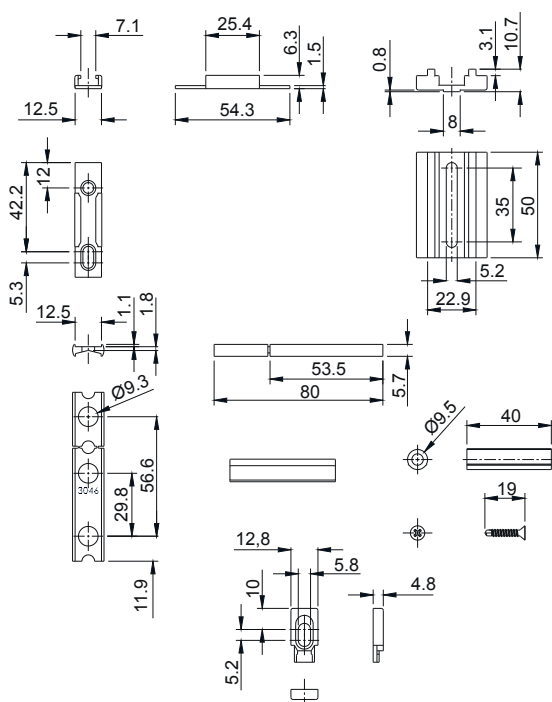
2154.802/100



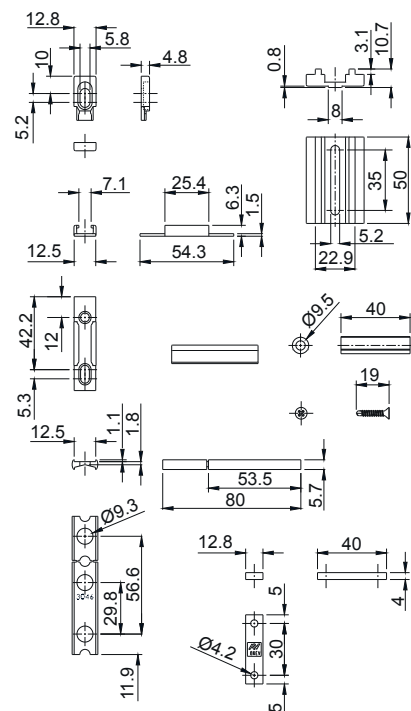
2154.802/180



2154.803/30



2154.803/60

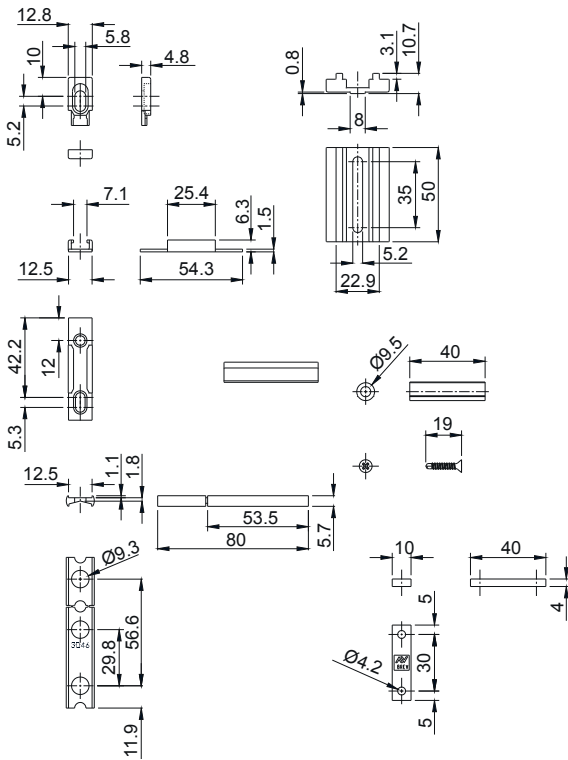


MULTI-POINT CLOSURES FOR SLIDING SYSTEMS

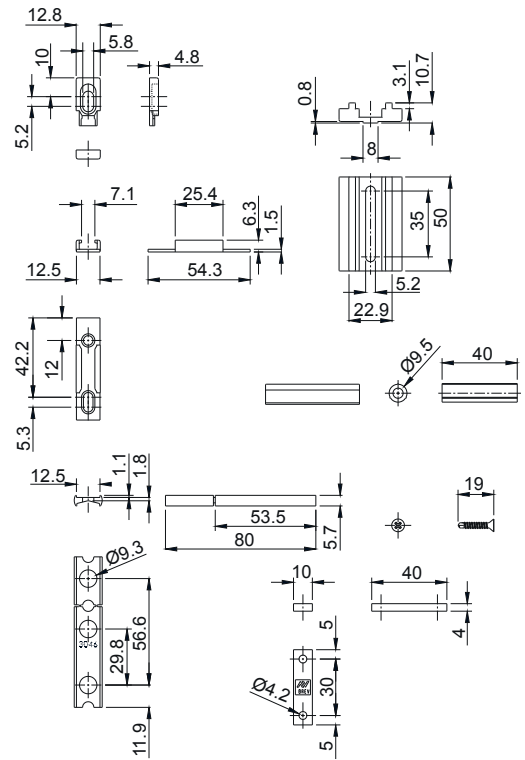
2154...

TECHNICAL DRAWINGS

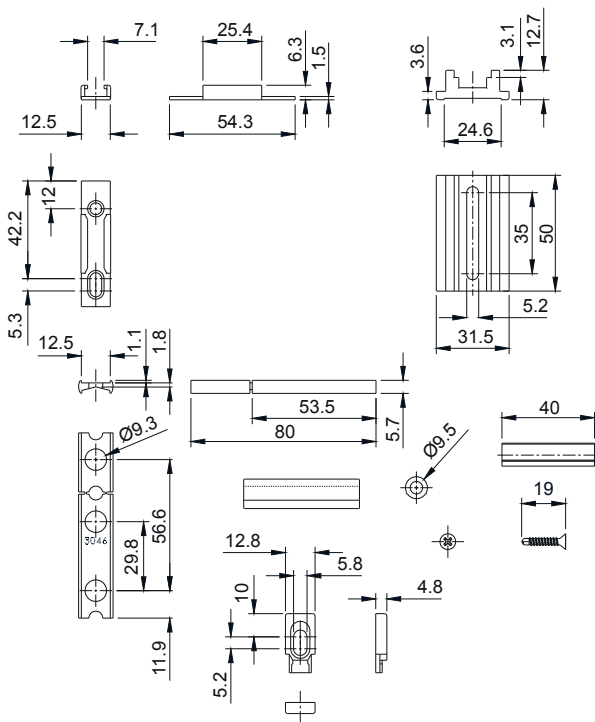
2154.803/100



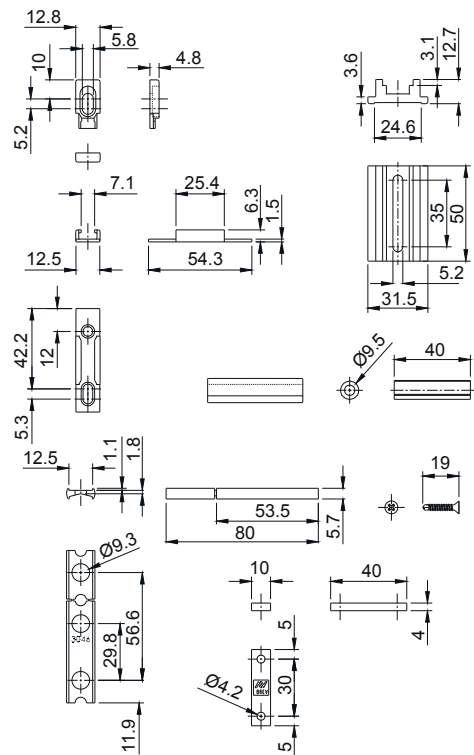
2154.803/180



2154.804/30



2154.804/60

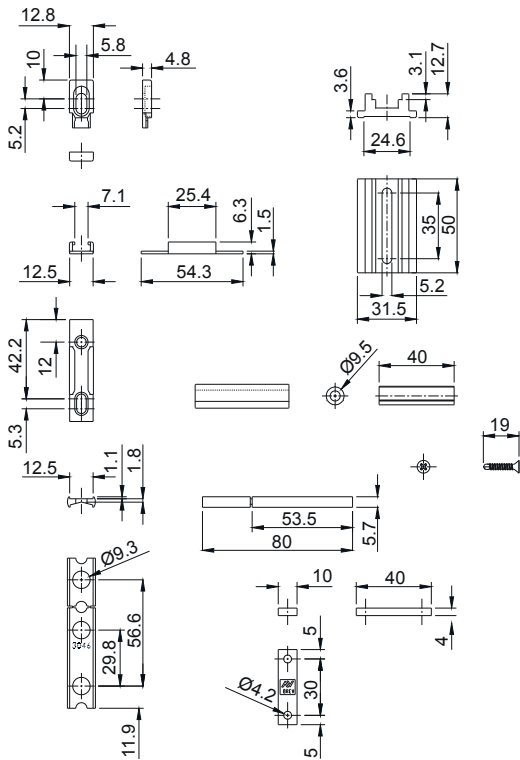


MULTI-POINT CLOSURES FOR SLIDING SYSTEMS

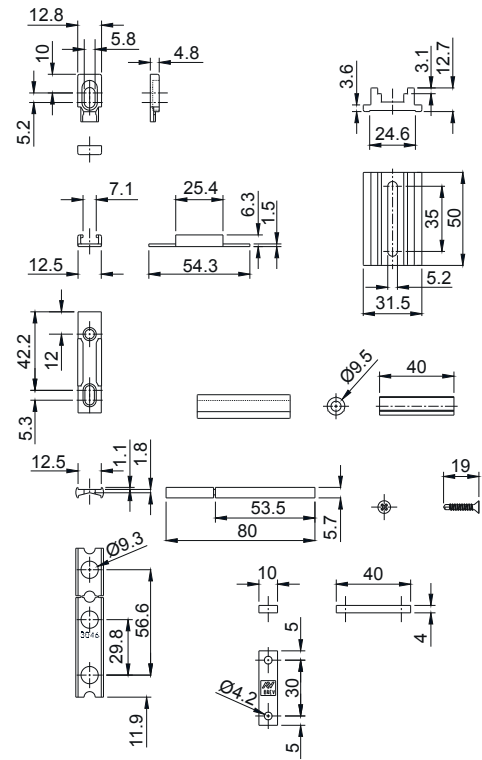
2154...

TECHNICAL DRAWINGS

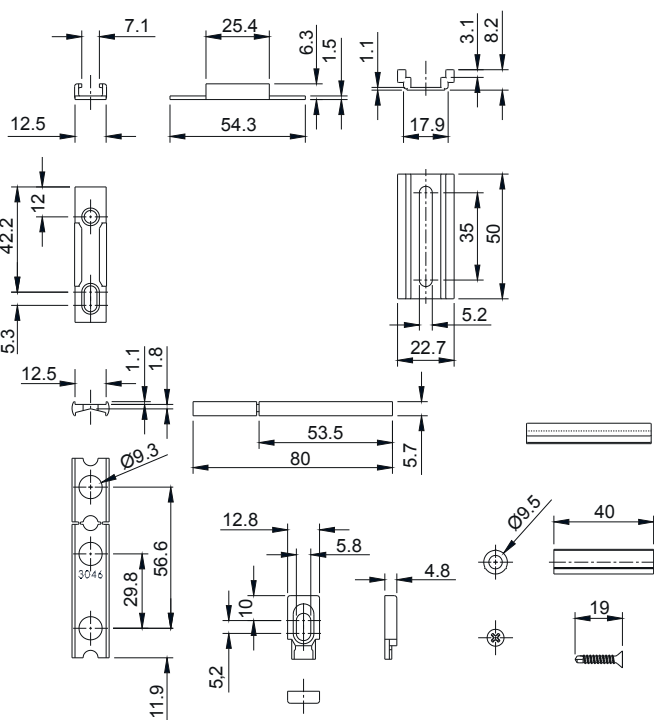
2154.804/100



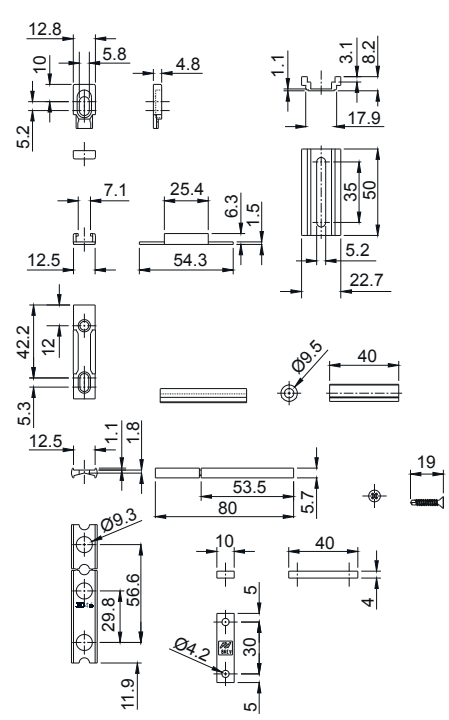
2154.804/180



2154.811/30



2154.811/60

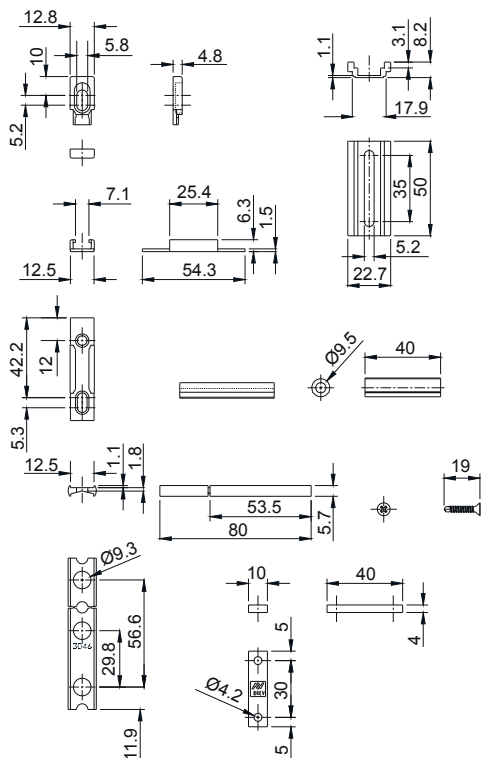


MULTI-POINT CLOSURES FOR SLIDING SYSTEMS

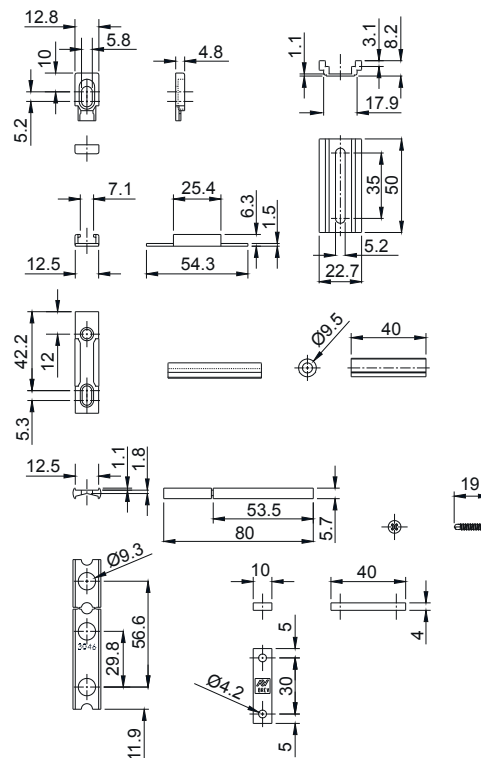
2154...

TECHNICAL DRAWINGS

2154.811/100



2154.811/180



MULTI-POINT CLOSURES FOR SLIDING SYSTEMS

2154...

CLOSURE AND KIT SUMMARY TABLE

Item	Description	H mm	Version	N° of locking points
2154.7/30	Multi-point closure for sliding systems backset of 7,5mm	300	galvanized	1
2154.15/30	Multi-point closure for sliding systems backset of 15mm	300	galvanized	1
2154.7/60	Multi-point closure for sliding systems backset of 7,5mm	600	galvanized	2
2154.15/60	Multi-point closure for sliding systems backset of 15mm	600	galvanized	2
2154.7/100	Multi-point closure for sliding systems backset of 7,5mm	1000	galvanized	2
2154.15/100	Multi-point closure for sliding systems backset of 15mm	1000	galvanized	2
2154.7/180	Multi-point closure for sliding systems backset of 7,5mm	1800	galvanized	3
2154.15/180	Multi-point closure for sliding systems backset of 15mm	1800	galvanized	3
2154.751/180	Multi-point closure preset for cylinder backset of 15mm	1800	galvanized	3
2154.7/30X	Multi-point closure for sliding systems backset of 7,5mm	300	stainless	2
2154.15/30X	Multi-point closure for sliding systems backset of 15mm	300	stainless	2
2154.7/60X	Multi-point closure for sliding systems backset of 7,5mm	600	stainless	2
2154.15/60X	Multi-point closure for sliding systems backset of 15mm	600	stainless	2
2154.7/100X	Multi-point closure for sliding systems backset of 7,5mm	1000	stainless	2
2154.15/100X	Multi-point closure for sliding systems backset of 15mm	1000	stainless	2
2154.7/180X	Multi-point closure for sliding systems backset of 7,5mm	1800	stainless	4
2154.15/180X	Multi-point closure for sliding systems backset of 15mm	1800	stainless	4

Item	Description	Profile
2154.801/30	Fitting kit for multi-point closures of 300 mm.	NC 60 Int.
2154.801/60	Fitting kit for multi-point closures of 600 mm.	NC 60 Int.
2154.801/100	Fitting kit for multi-point closures of 1000 mm.	NC 60 Int.
2154.801/180	Fitting kit for multi-point closures of 1800 mm.	NC 60 Int.
2154.802/30	Fitting kit for multi-point closures of 300 mm.	Win 90 S
2154.802/60	Fitting kit for multi-point closures of 600 mm.	Win 90 S
2154.802/100	Fitting kit for multi-point closures of 1000 mm.	Win 90 S
2154.802/180	Fitting kit for multi-point closures of 1800 mm.	Win 90 S
2154.803/30	Fitting kit for multi-point closures of 300 mm.	Domal Slide PA 80
2154.803/60	Fitting kit for multi-point closures of 600 mm.	Domal Slide PA 80
2154.803/100	Fitting kit for multi-point closures of 1000 mm.	Domal Slide PA 80
2154.803/180	Fitting kit for multi-point closures of 1800 mm.	Domal Slide PA 80
2154.804/30	Fitting kit for multi-point closures of 300 mm.	Triall.co 65 S/65 TT
2154.804/60	Fitting kit for multi-point closures of 600 mm.	Triall.co 65 S/65 TT
2154.804/100	Fitting kit for multi-point closures of 1000 mm.	Triall.co 65 S/65 TT
2154.804/180	Fitting kit for multi-point closures of 1800 mm.	Triall.co 65 S/65 TT
2154.811/30	Fitting kit for multi-point closures of 300 mm.	Skeit 60/Export 60
2154.811/60	Fitting kit for multi-point closures of 600 mm.	Skeit 60/Export 60
2154.811/100	Fitting kit for multi-point closures of 1000 mm.	Skeit 60/Export 60
2154.811/180	Fitting kit for multi-point closures of 1800 mm.	Skeit 60/Export 60
2061	Recessed handle with grip and base in zamak.	