

ROLLERS

for sliding doors and windows
for Triall.co 65 S/65 TT/90 S/90 TT
profiles

MAIN FEATURES:

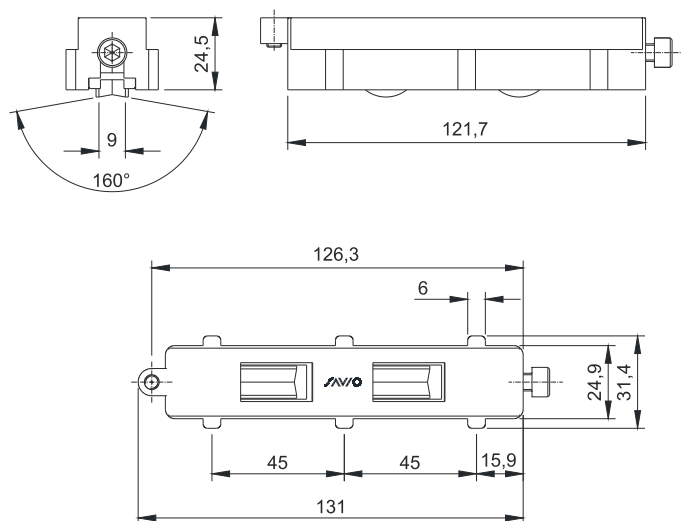
- Complete range
- Millimetric adjustment with stainless steel friction screw
- Fixing to the profile with contrast grub screw
- Tested up to 25,000 cycles
- Weight capacity up to 220 kg/leaf
- Adaptable to standard and thermal break profiles



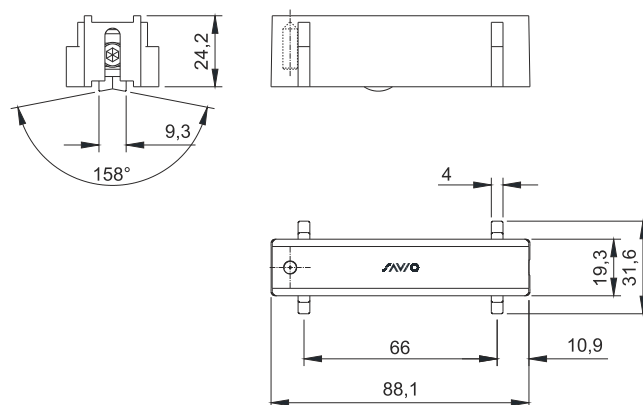
2150.4 - 2151.4
2156.4 - 2157.4

TECHNICAL DRAWINGS

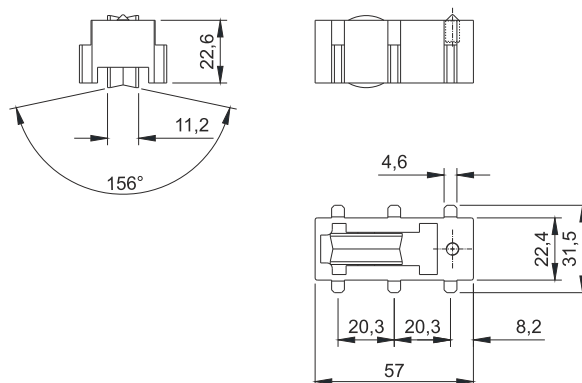
2150.4 - 2151.4



2156.4



2157.4

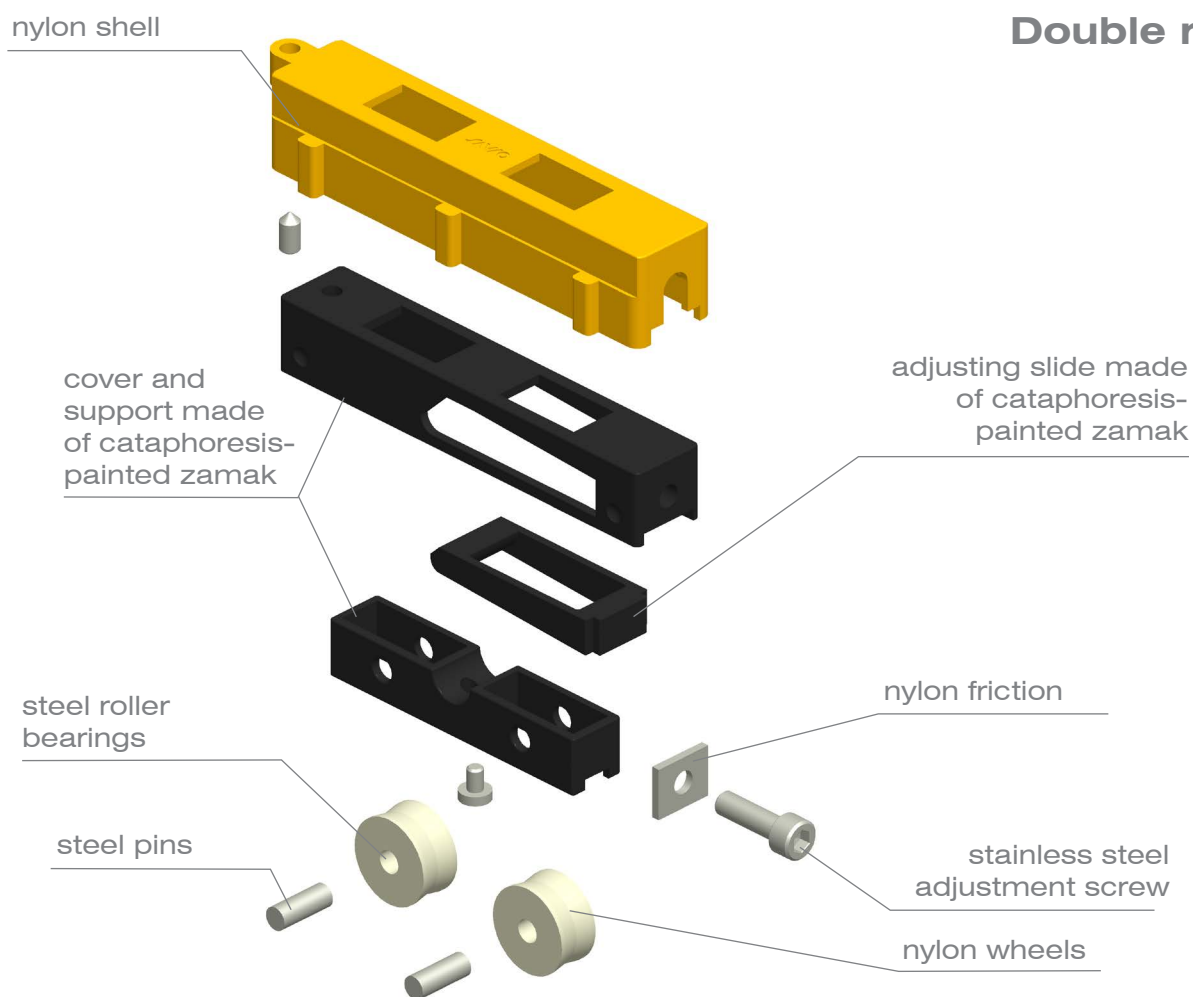


ROLLERS

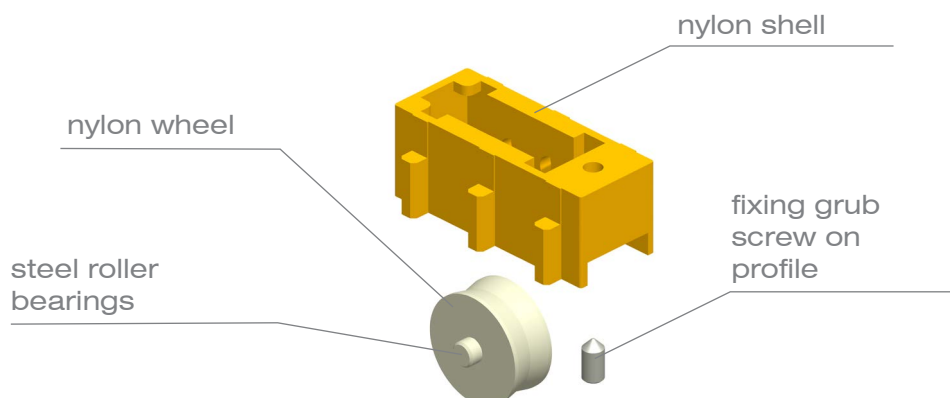
for sliding doors and windows
for Triall.co 65 S/65 TT/90 S/90 TT
profiles

2150.4 - 2151.4
2156.4 - 2157.4

TECHNICAL FEATURES



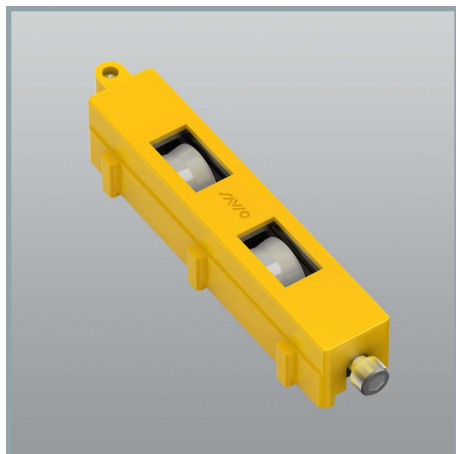
Single rollers



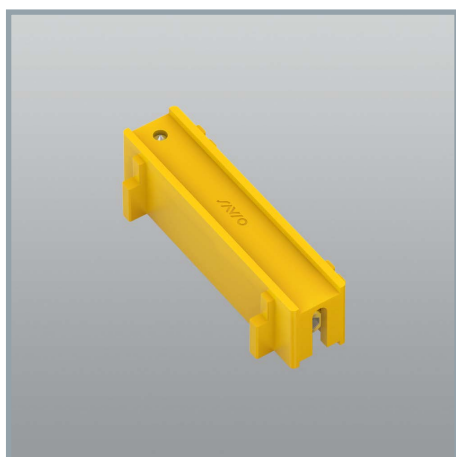
ROLLERS

for sliding doors and windows
for Triall.co 65 S/65 TT/90 S/90 TT
profiles

2150.4 - 2151.4
2156.4 - 2157.4



CODE	DESCRIPTION	FINISHES	PCS.
2150.4	Adjustable double roller in zamak varnished in cataphoresis and nylon, steel roller bearings, stainless steel screws. Weight capacity: max 220 Kg/leaf.		40
2151.4	As 2150.4 but with polymer bearings and max. weight capacity of 120 Kg/leaf.		40



CODE	DESCRIPTION	FINISHES	PCS.
2156.4	Adjustable roller in nylon, steel ball bearings, stainless steel screws. Weight capacity: max 50 Kg/leaf.		40



CODE	DESCRIPTION	FINISHES	PCS.
2157.4	Nylon roller adjustable in 2 positions, steel roller bearings, stainless steel screws. Weight capacity: max 100 Kg/leaf.		40