

MONO

One-way gearbox for Ribanta 5

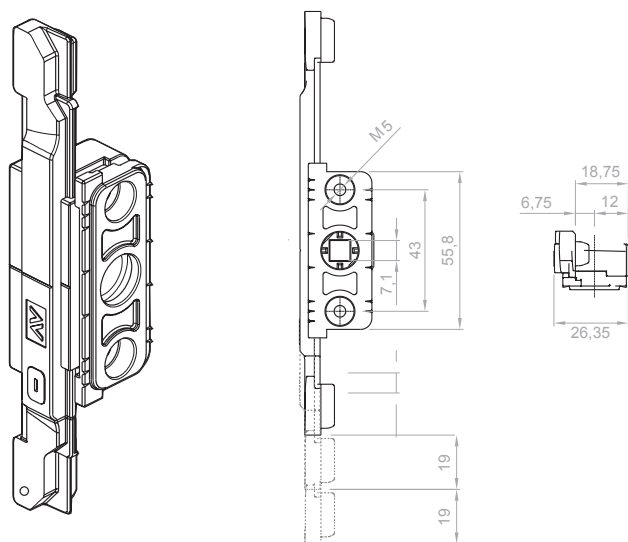
MAIN CHARACTERISTICS:

- It can be used on all Eurogroove profiles;
- Extremely small dimensions;
- It adapts perfectly to different rebate heights;
- It can be used with both traditional and Ribanta 5 rods;
- Very sturdy fixing;
- Pre-blocked at half travel to make assembly easier;
- Suited to all snap-latches with 7-mm square;
- 19+ 19 mm travel, one-way;
- Art. 1212/ 7 can be used with both single-piece and interrupted rod.

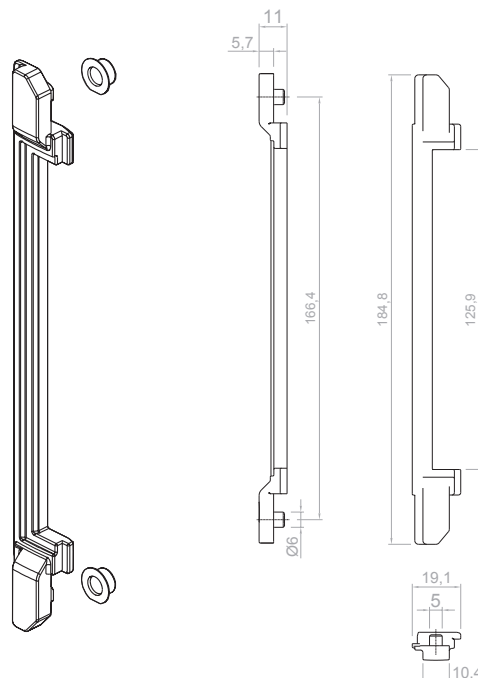


TECHNICAL DRAWINGS

1212/7



1212.801



ARTICLE	NAME	DESCRIPTION	STANDARD FINISHES	PCS./PACK.
1212/7	MONO	One-way movement for RIBANTA 5, 7-mm square		5
1212.705		Carrying device		40
1212.801		Connector for rods		40

MONO

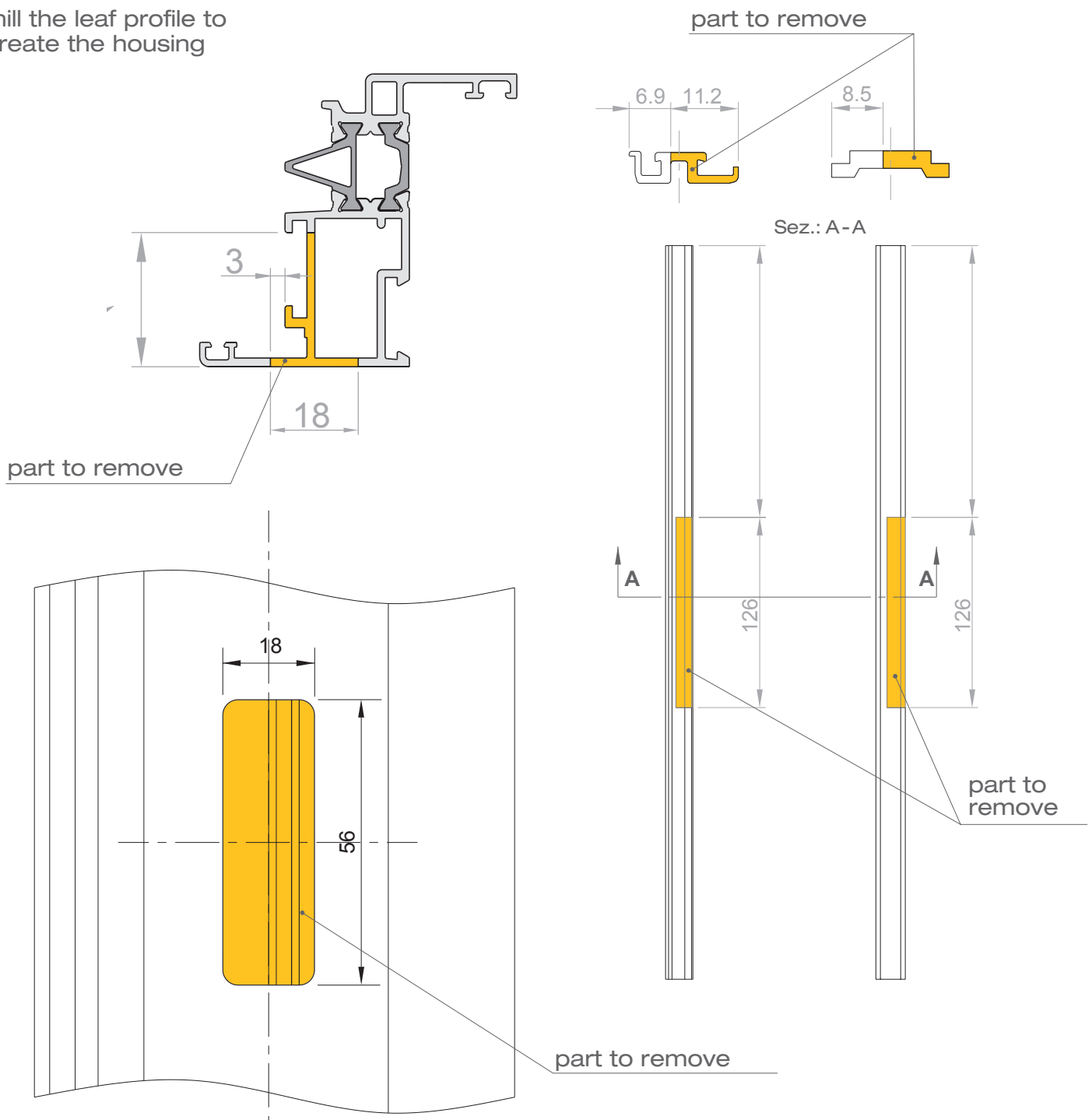
One-way gearbox for Ribanta 5

1212/7

1212.801

MACHINING

mill the leaf profile to
create the housing



MONO

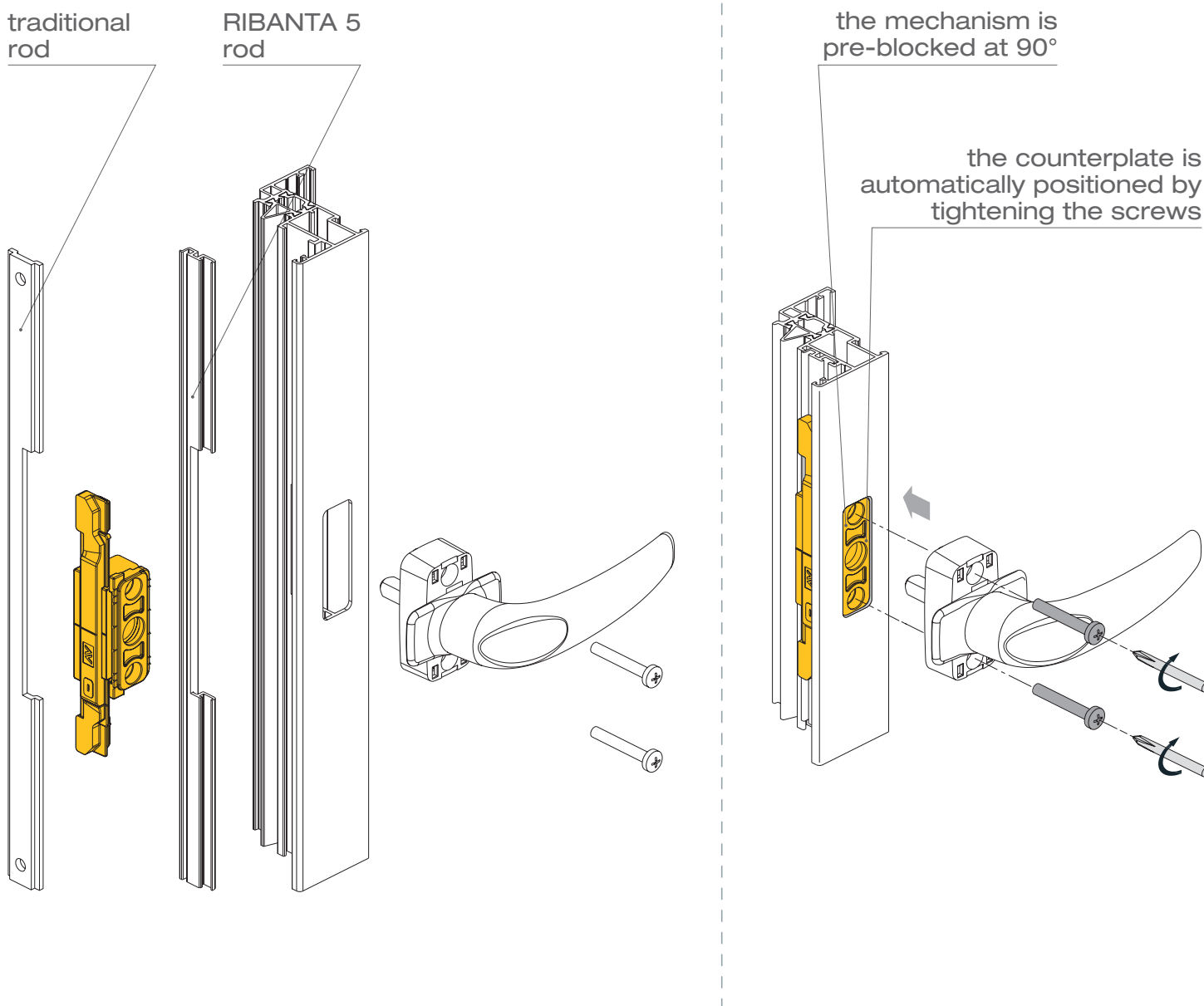
One-way gearbox for Ribanta 5

1212/7

1212.801

ASSEMBLY WITH SHAPED SINGLE-PIECE RODS

The body of the handle is inserted after
positioning the connection rod.



MONO

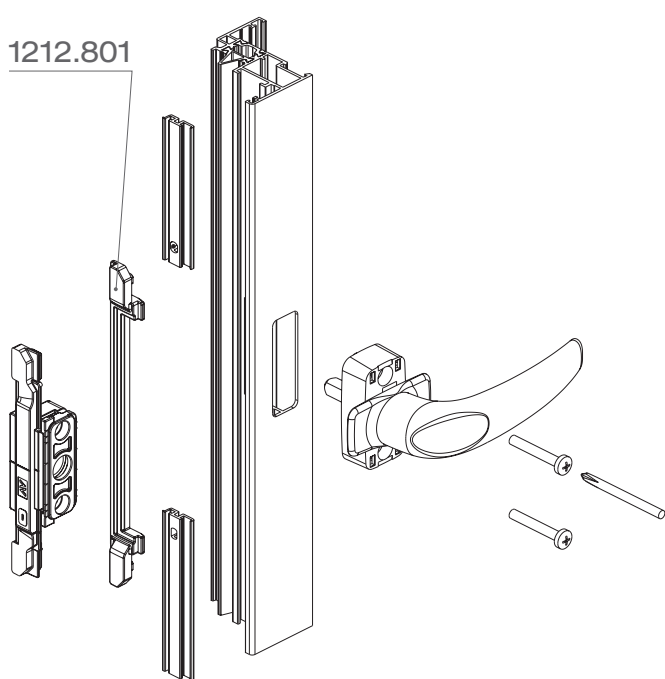
One-way gearbox for Ribanta 5

1212/7

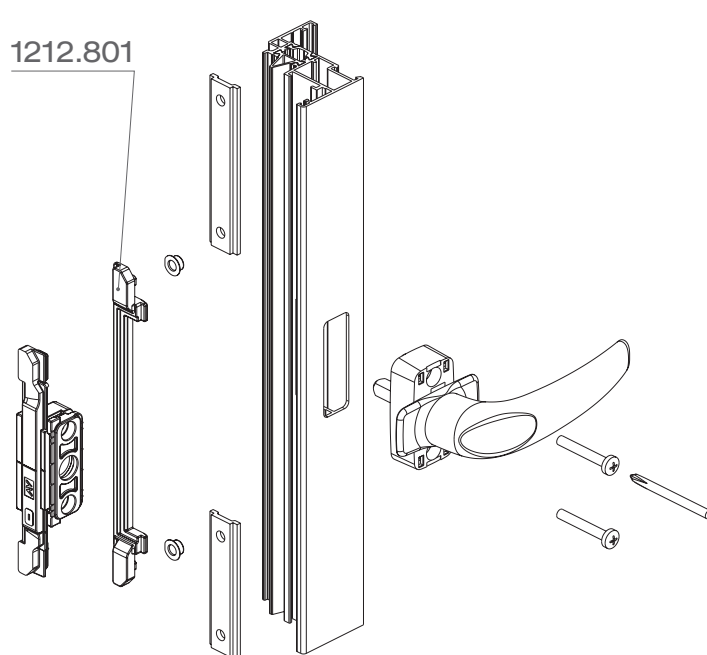
1212.801

ASSEMBLY WITH CUT AND DRILLED RODS

If you wish to avoid machining the rod as described in the previous page, you can simply cut and drill a hole into the rod using connector art. 1212.801.



SOLUTION WITH RIBANTA 5 ROD



SOLUTION WITH TRADITIONAL ROD

CARRYING DEVICE

To carry frames with no snap-latch, a specific device was developed that, once screwed in, keeps everything in place until the permanent assembly with the snap-latch.

