

NEW ADJUSTABLE HINGES for RIBANTATRE 150 RESTYLING

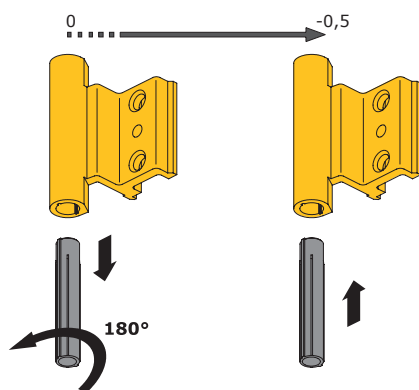
MAIN CHARACTERISTICS:

- Easy lateral and vertical adjustment as well as easy adjustment of the closing pressure for the bottom hinge;
- Elimination of the grub screw to secure the pin in the top hinge;
- Weight capacity 150 kg - 100 kg (with no additional screws);
- Pre-assembled counterplates;
- Counterplates, pins and screws in stainless steel;
- Suitable for the existing version of
- RIBANTATRE 150 RESTYLING;
- Reversible.

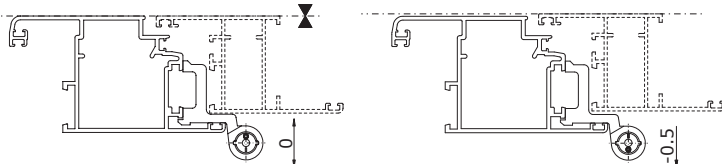


POSSIBLE ADJUSTMENTS

Adjustable bottom hinge: closing pressure -0.5 mm

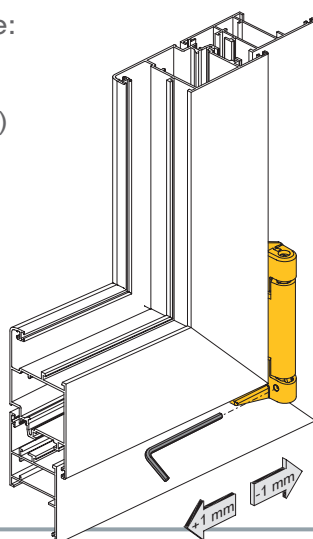


NEW

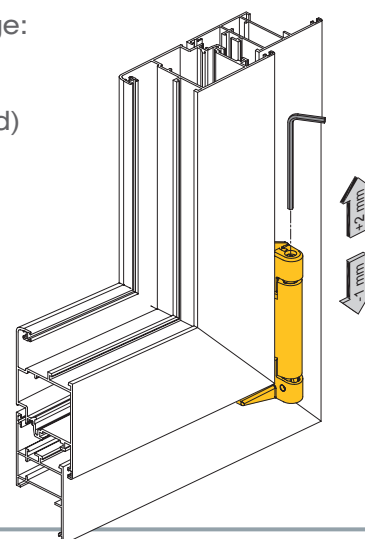


Adjustable bottom hinge:
lateral +/- 1 mm
(can be carried out
with the leaf assembled)

NEW



Adjustable bottom hinge:
vertical -1 / +2 mm
(can be carried out
with the leaf assembled)

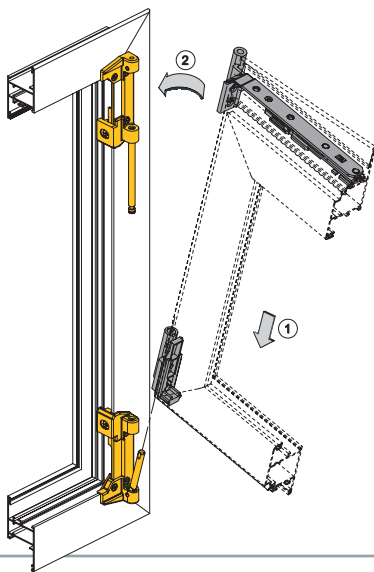


**NEW ADJUSTABLE
HINGES**
for RIBANTATRE 150 RESTYLING

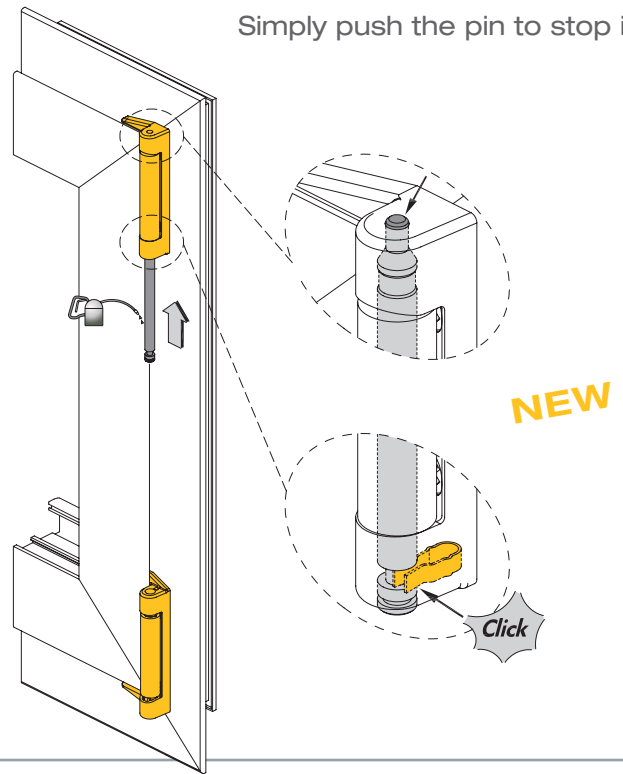
3150.705

LEAF ASSEMBLY

The pin stays in position thanks to the clip.

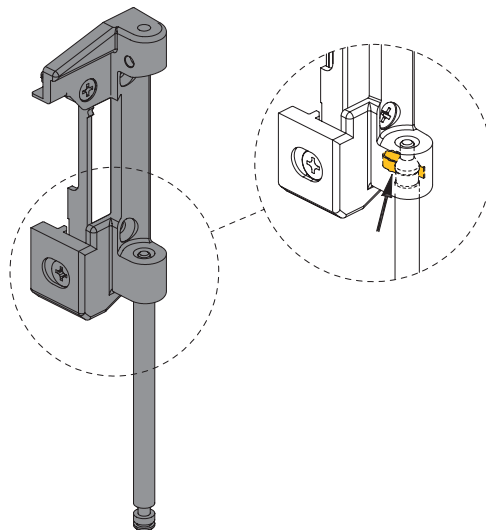
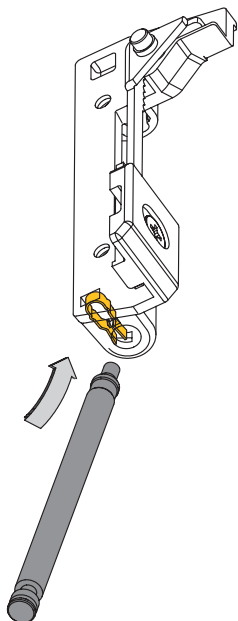


Simply push the pin to stop it.



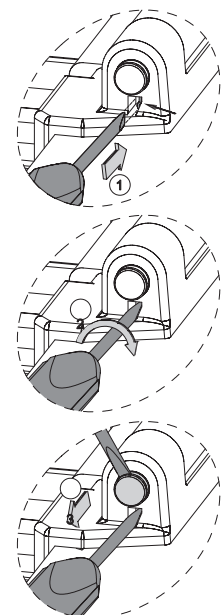
PIN ASSEMBLY

The pin stays in position
thanks to the clip.



PIN DISASSEMBLY

Operate directly on the clip
to disassemble the pin.



N.B.: The hinges for secondary leaf art. 3150.830 stay the same as the current version, with the pin locked by the grub.