

EXTERNAL ELECTRIC CONTROL UNIT for panic bars

MAIN FEATURES:

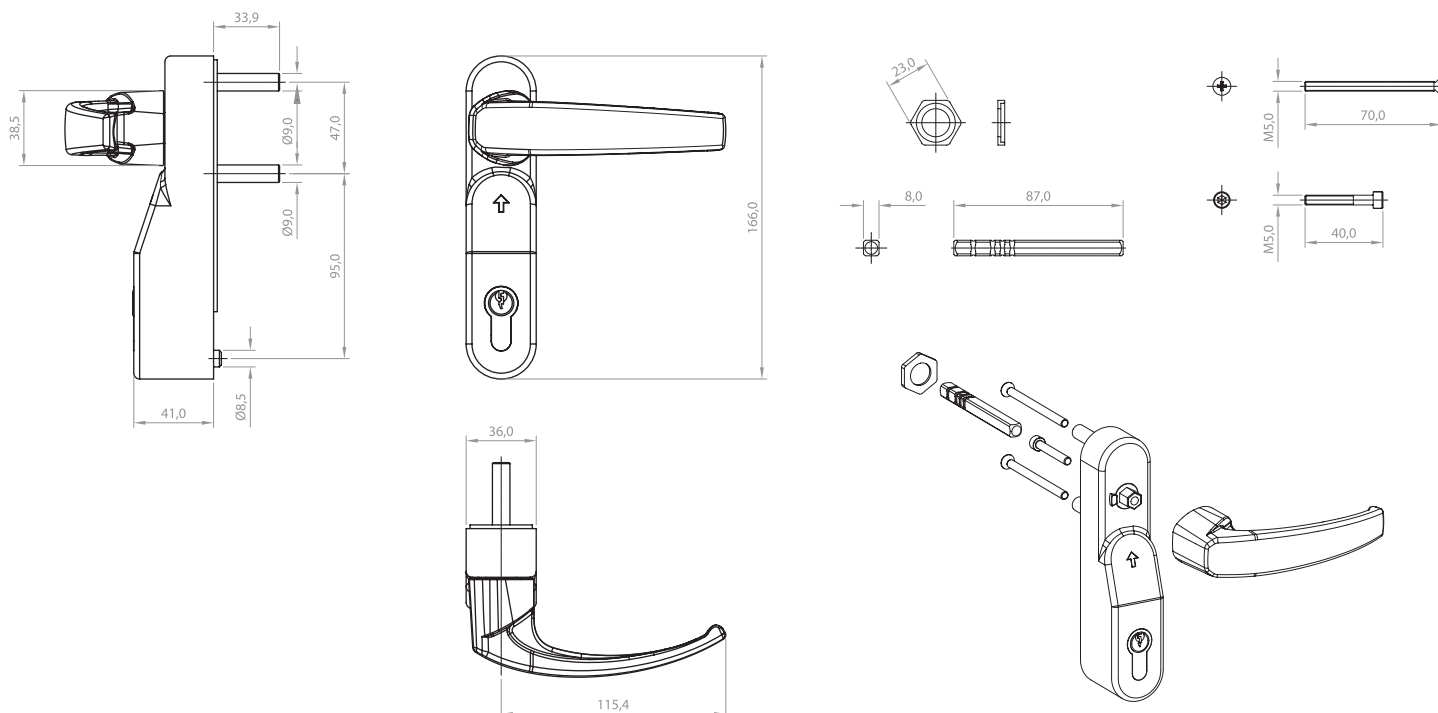
- Non-handed
- Handle disengaged
- Replaces the use of one or more electrical releases
- Suitable for access control
- Remote controlled leave-open function
- Timed opening from 3 to 20 seconds
- 12/24V DC and AC Power supply
- Can always be opened with key
- Uses standard European cylinder
- For doors up to 70 mm thick,
For doors 71-100 mm thick, use kit,
item 6000.897
- Adapts to Juvarra and Brunelleschi with item
6010.401 and to Bernini with item 6000.815.



6010.890

TECHNICAL DRAWINGS

6010.890



ITEM	NAME	DESCRIPTION	STANDARD FINISHES	PCS/PACK.
6010.890		External powered control for BRUNELLESCHI, JUVARRA and BERNINI panic bars	90BI, 90GR, 90NE	1

EXTERNAL ELECTRIC CONTROL UNIT for panic bars

6010.890

OPERATION

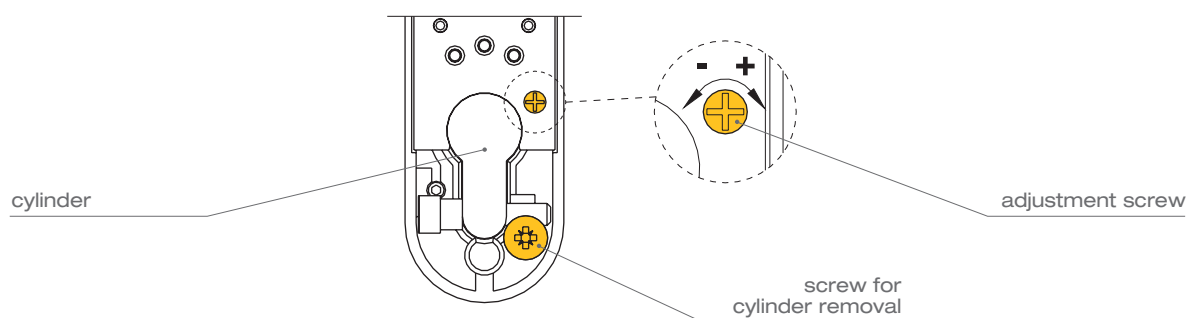
The control unit features the handle disengaged in the closed (standby) position in order to avoid damage due to forcing.

When the electrical circuit is closed (pulse), the handle connects with the panel, connecting it to the panic bar. Following the electrical pulse, the handle remains active for an adjustable time ranging from 3 to 20 seconds. Turning the handle allows a single opening of the panic bar, independent of the timer. If, following a pulse, the handle is not used, once timed-out the handle returns to standby position and the door cannot be opened.

The control unit also has a "leave-open" function. In this case, the circuit must be closed with a switch; after 1 minute, the mechanism will be in "leave-open" position and the handle will be activated allowing opening until the circuit is opened, putting the control unit in standby again. These functions combined in the same item allow its use with both simple control systems (such as intercom, concierge) and complex remote-access control or identity-recognition systems of various types.

In the event of a power failure, you can always use the key, which allows temporary, but not permanent, opening of the door.

For the electrical connection, we recommend the use of a flexible conduit.



Technical data		Min. value	Typical value	Max. value
Power Supply	VAC	-10%	12...24	+10%
	VDC	-10%	12...24	+15%
Standby current consumption	mA		22	35
Current consumption at start (1 sec)	mA		1100	1200
Maintenance current consumption	mA (DC)		160	
Current consumption in "leave-open" mode	mA (DC)		130	
Opening-time adjustment	sec	3	12	20

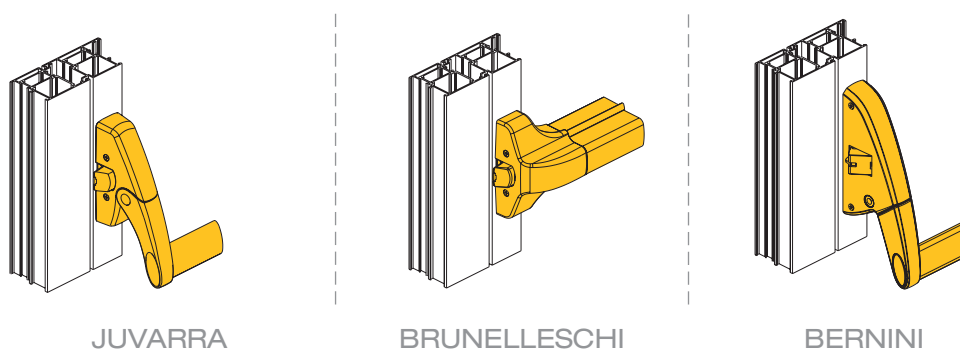
EXTERNAL ELECTRIC CONTROL UNIT for panic bars

6010.890

FITTING

The external control unit, item 6010.890 adapts to handles of the **Juvarra**, **Brunelleschi** and **Bernini** series.

To use the control unit with Juvarra and Brunelleschi panic bars, you must purchase the cam, item 6010.401. For use with Bernini, you must purchase the "catch-plate + cam" kit, item 6000.815.

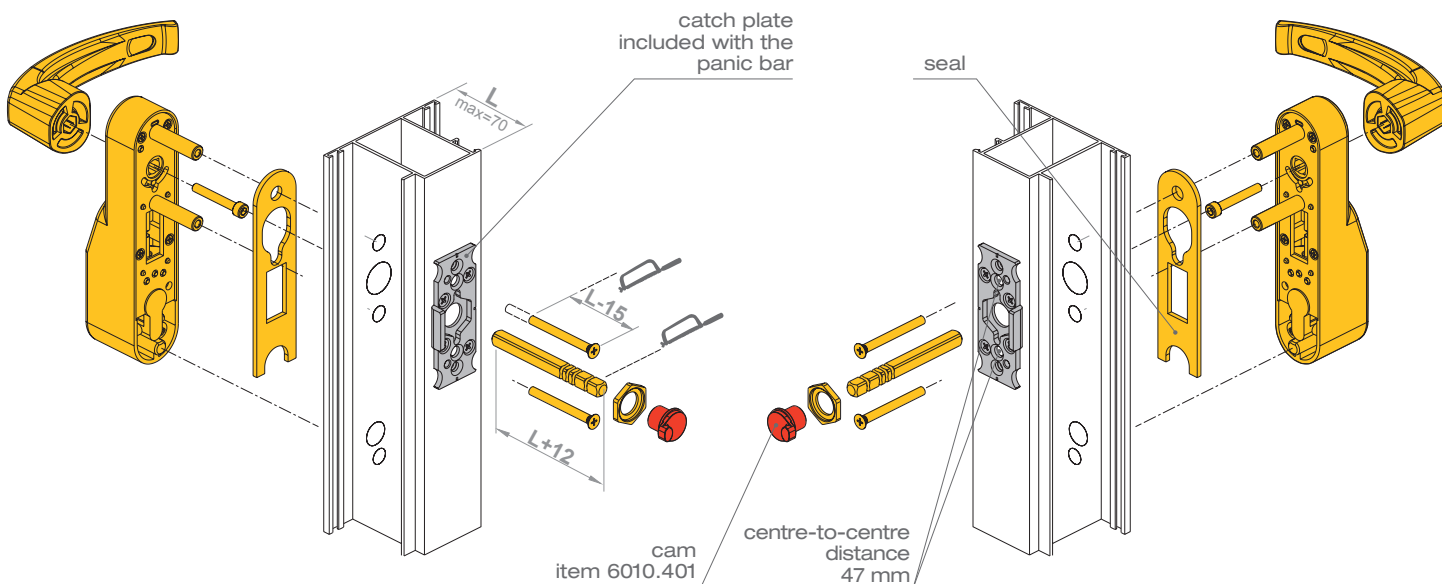


FITTING WITH JUVARRA AND BRUNELLESCHI

In combination with Juvarra or Brunelleschi, use the catch plate that has holes with centre-to-centre distance suitable for control unit 6010.890 (47 mm) supplied with the panic bar.

In addition, you must purchase the **cam, item 6010.401**.

For doors 71-100 mm thick, use the kit, **item 6000.897**.



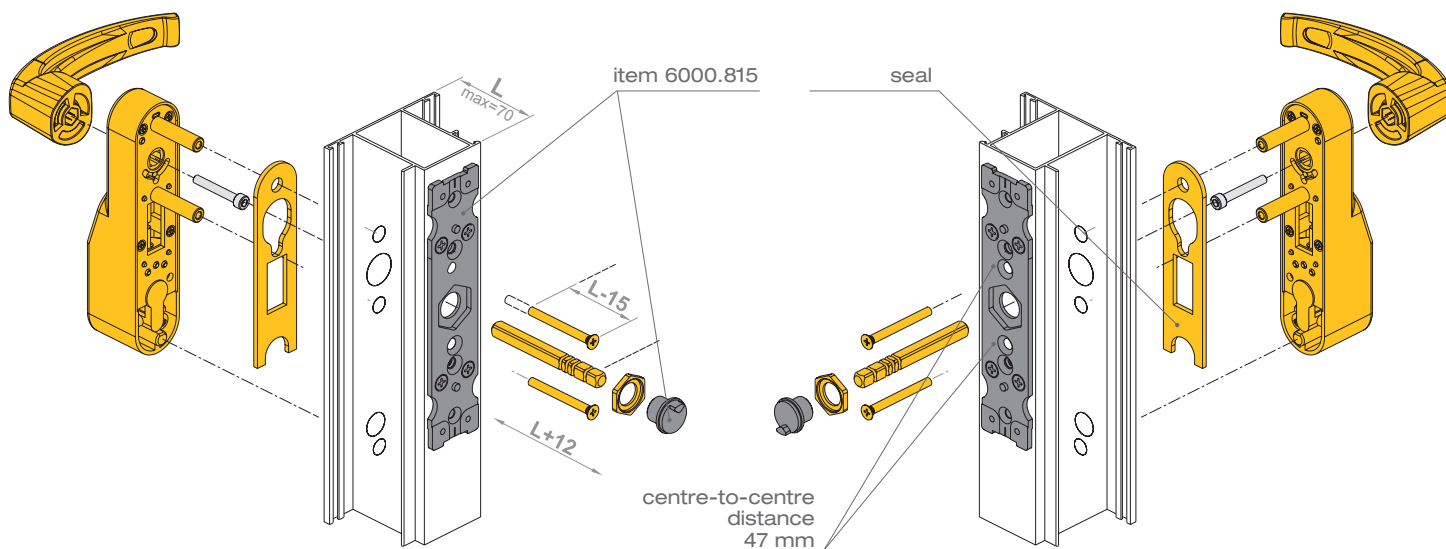
EXTERNAL ELECTRIC CONTROL UNIT for panic bars

6010.890

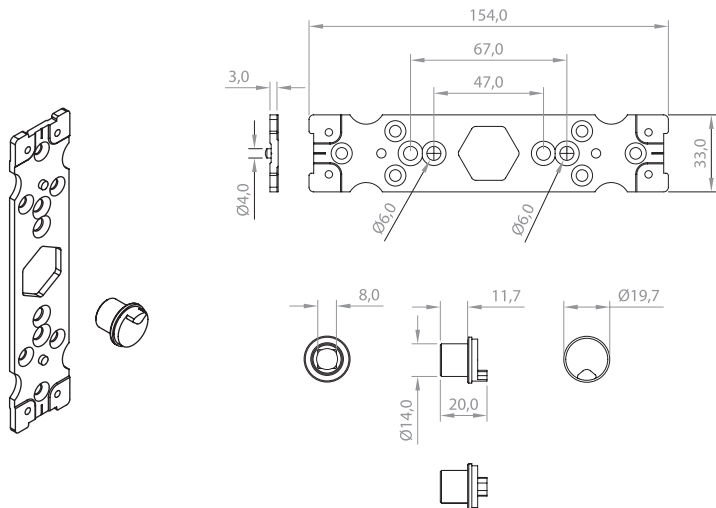
FITTING WITH BERNINI

Control unit 6010.890 is also compatible with **Bernini a-series** panic bars. The centre-to-centre distance of the fastening screws (47 mm) is different from that of existing control units to date (67 mm).

Since the catch plates included in the Bernini package have holes with a centre-to-centre distance of 67 mm, it is necessary to replace the catch-plate of the main control unit with that contained in the **kit item 6000.815**, that is compatible with both centre-to-centre distances. The package of kit item 6000.815 also contains the cam suitable for Bernini. For doors 71-100 mm thick, use the kit **item 6000.897**.



item 6000.815



item 6000.897

