

## SUMMA+ Two-wing adjustable hinge

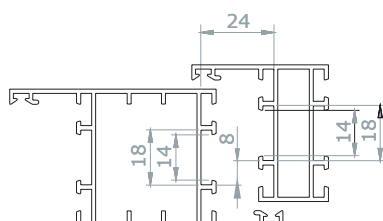
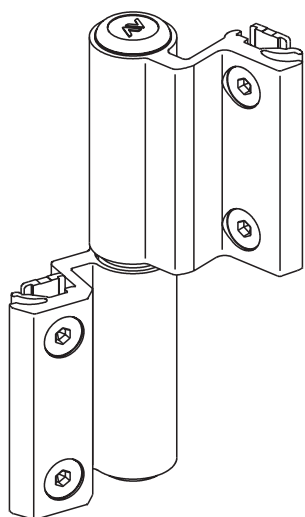
### MAIN CHARACTERISTICS:

- New range of heavy hinges for profiles with Euro-grooves and R40 grooves;
- Special new patented clamping. Improved fixing even on thin profiles, eliminating any bending;
- Can be applied to assembled casements, thanks to the special geometry of the extruded aluminium and of the stainless steel counterplates;
- Weight capacities of 100 kg with 2 hinges and 120 kg with 3 hinges (EN 1935:2002);

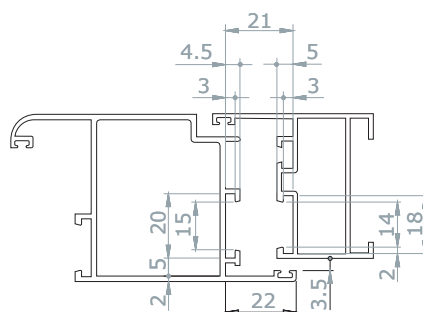


**1124.40**  
**1124.43**  
**1124.60**

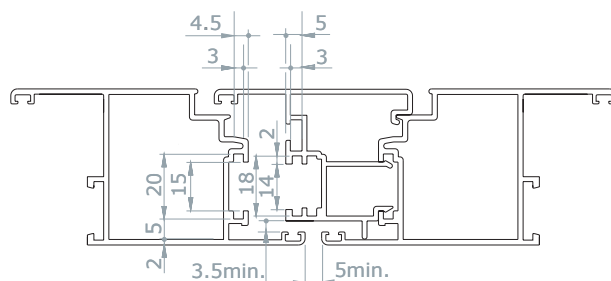
### TECHNICAL DRAWINGS



**1124.43**  
FOR "R" GROOVES

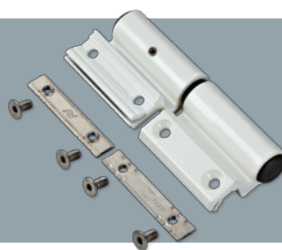


**1124.40**  
Euro-groove and  
NC International



**1124.60**  
FOR THIRD FLUSH LEAF  
Euro-groove and NC  
International profiles

## SUMMA+ Two-wing adjustable hinge



1124.40  
1124.43  
1124.60

### MAIN CHARACTERISTICS

The main characteristics of the hinge stay the same as the SUMMA model.

Counterplates in stainless steel for improved corrosion resistance and more solid fixing in time

The anchoring area on the profile is equipped with tothing that grips the profile, thus preventing vertical sliding of the hinges

Vertical grub screw for height adjustments (-1/+ 3 mm)

Grub screw in stainless steel to block the adjustment

Cam bushing for comfortable lateral adjustment (+ /- 1.6 mm) without changing the pressure of the gaskets

Half-spherical pin in stainless steel with thrust effect

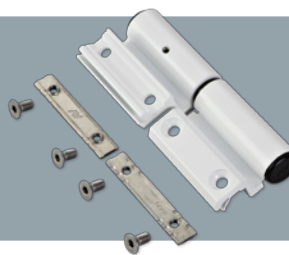
Self-lubricating eccentric bushing used to adjust the pressure of the gaskets (0 /- 0,5 mm)

Can be applied to the assembled casement, thanks to the special geometry of the extruded aluminium and of the counterplates in stainless steel

Special new patented clamping. Improved fixing even on thin profiles, eliminating any bending

ARTICLE	NAME	DESCRIPTION	STANDARD FINISHES	PCS./PACK.
1124.40	SUMMA+	Two-wing adjustable hinge for Euro-groove and NC International (HL, PVD H, PVD X, XSD = 4 pcs.)	1013, 1015, 1247, 7032, 8017, 8019, 9001, 9005, 9010, 9016, B.SA, BL10, BL25, BR5, BR801, BW21, C, F, GR217, GR50, GR51, GR606, HL, NE, PVD H, PVD X, SILV, WT005, XSD, ZE	20
1124.43	SUMMA+	Two-wing adjustable hinge for R40 and New Tec (HL, PVD H, PVD X, XSD = 4 pcs.)	1013, 7035, 8019, 9001, 9005, 9010, BL10, BR5, BR801, BW21, C, F, GR217, GR50, GR51, GR606, HL, NE, PVD H, PVD X, SILV, WT005, XSD, ZE	20
1124.60	SUMMA+	Two-wing adjustable hinge for third leaf for Euro-groove and NC International (HL, PVD H, PVD X, XSD = 4 pcs.)	1013, 1015, 1247, 7032, 8017, 8019, 9001, 9005, 9010, 9016, B.SA, BL10, BL25, BR5, BR801, BW21, C, F, GR217, GR50, GR51, GR606, HL, NE, PVD H, PVD X, SILV, WT005, XSD, ZE	20

## SUMMA+ Two-wing adjustable hinge



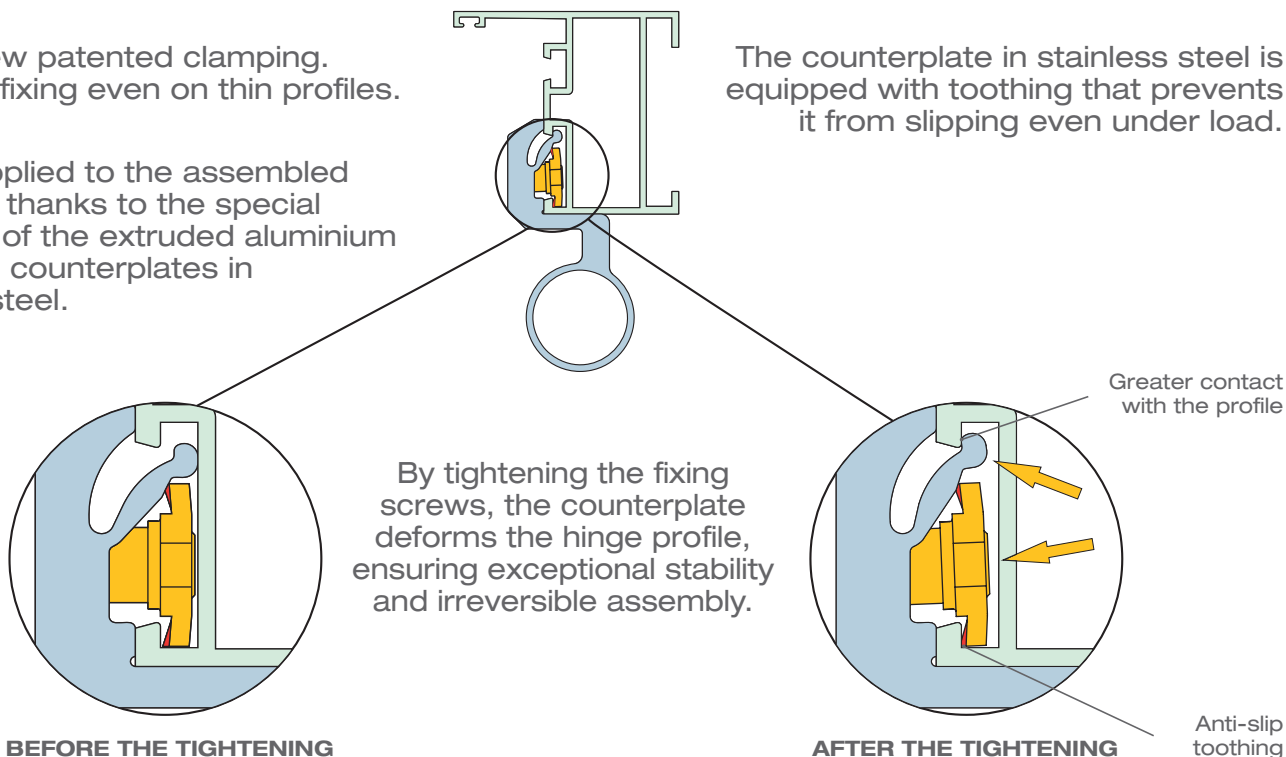
1124.40  
1124.43  
1124.60

### NEW PATENTED CLAMPING SYSTEM

Special new patented clamping.  
Improved fixing even on thin profiles.

Can be applied to the assembled casement thanks to the special geometry of the extruded aluminium and of the counterplates in stainless steel.

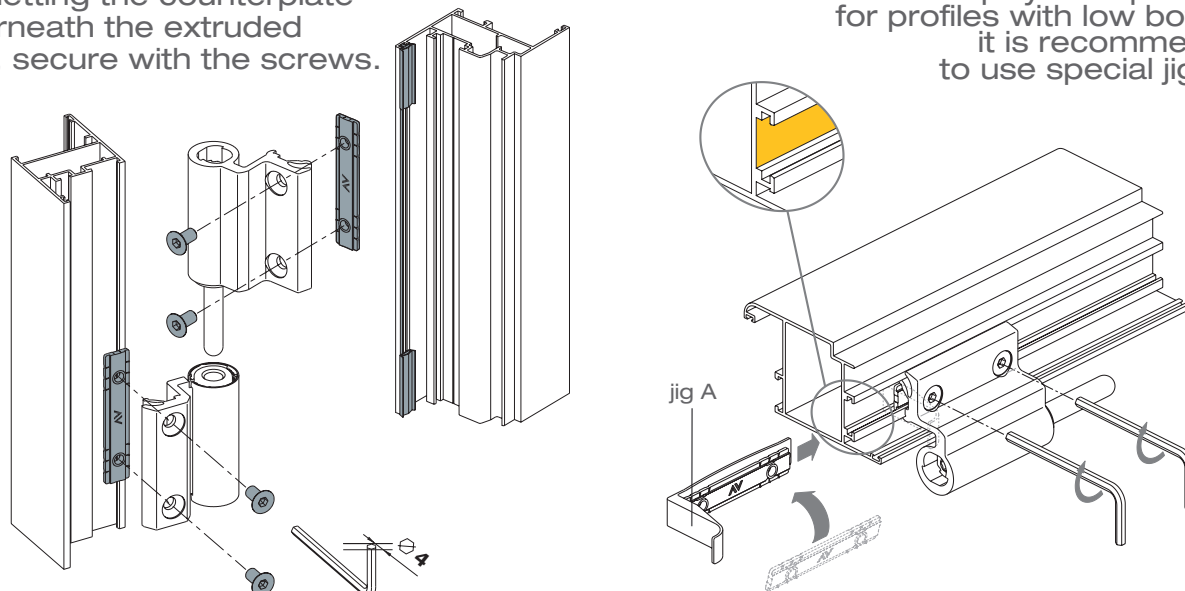
The counterplate in stainless steel is equipped with tothing that prevents it from slipping even under load.



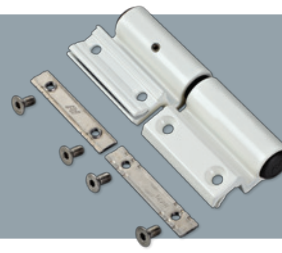
### FIXING

Hook up the hinge wing to the profile and, after letting the counterplate\* slide underneath the extruded aluminium, secure with the screws.

\*  
N.B.: To simplify the operation, for profiles with low bottom, it is recommended to use special jig "A".



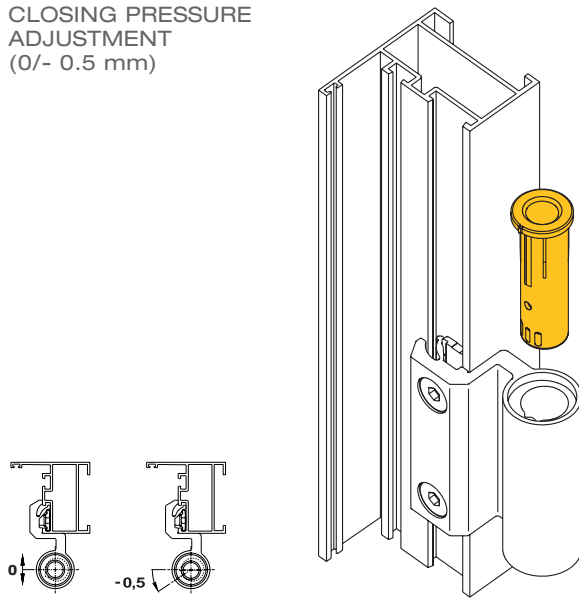
## SUMMA+ Two-wing adjustable hinge



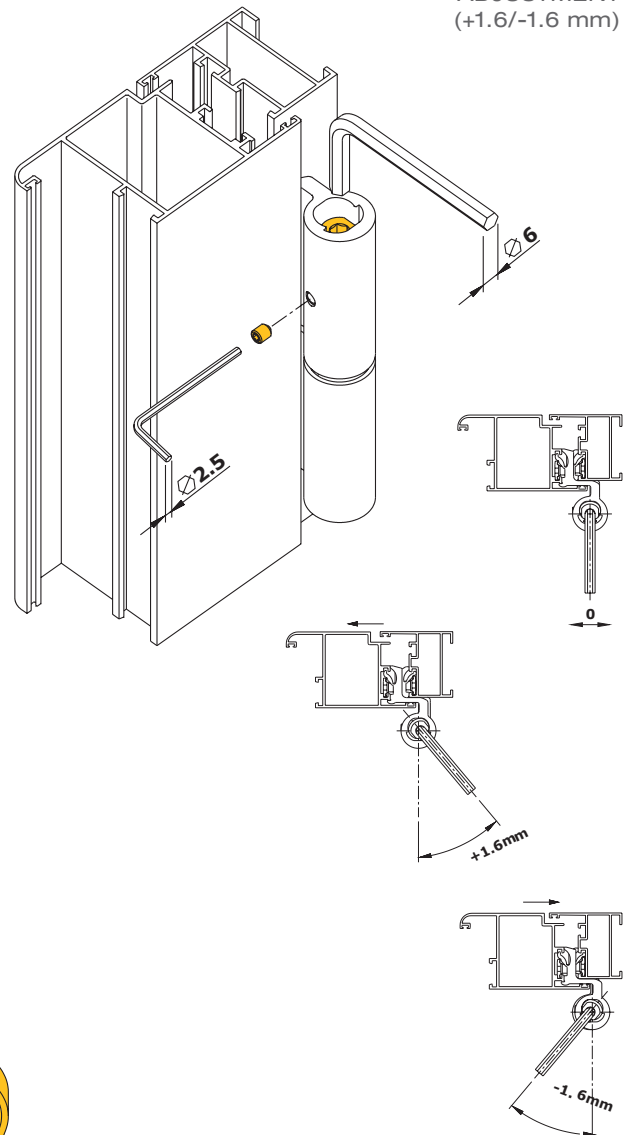
1124.40  
1124.43  
1124.60

### ADJUSTMENTS

CLOSING PRESSURE  
ADJUSTMENT  
(0/- 0.5 mm)



CLEARANCE  
ADJUSTMENT  
(+1.6/-1.6 mm)



HEIGHT  
ADJUSTMENT  
(+3/- 1 mm)

