

SUMMA+ AXIAL Two-wing adjustable hinge

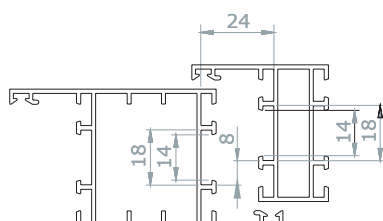
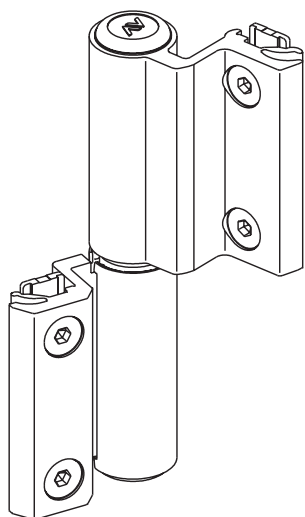
MAIN CHARACTERISTICS:

- Allows perfect alignment of the two hinge wings even after clearance adjustment, which is extremely easy to do carry out thanks to special patented covers.
- New range of heavy hinges for profiles with Euro-grooves and R40 grooves;
- Special new patented clamping. Improved fixing even on thin profiles, eliminating any bending;
- Can be applied to assembled casements, thanks to the special geometry of the extruded aluminium and of the stainless steel counterplates;
- Weight capacities of 100 kg with 2 hinges and 120 kg with 3 hinges (EN 1935:2002).

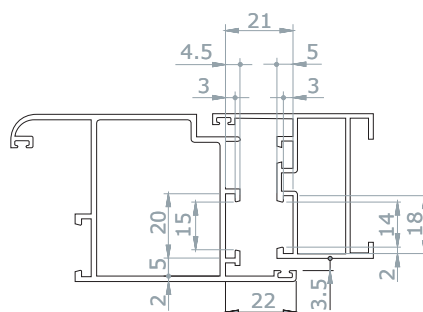


1124.70
1124.73
1124.75

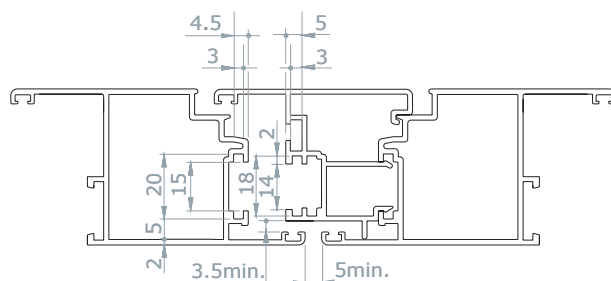
TECHNICAL DRAWINGS



1124.73
FOR "R" GROOVES

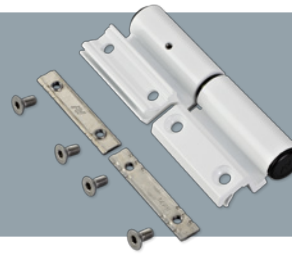


1124.70
Euro-groove and
NC International



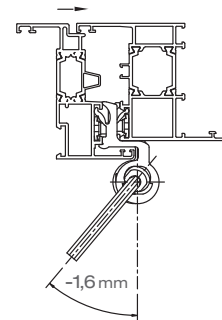
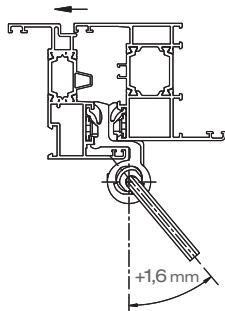
1124.75
FOR THIRD FLUSH LEAF
Euro-groove and NC
International

SUMMA+ AXIAL Two-wing adjustable hinge



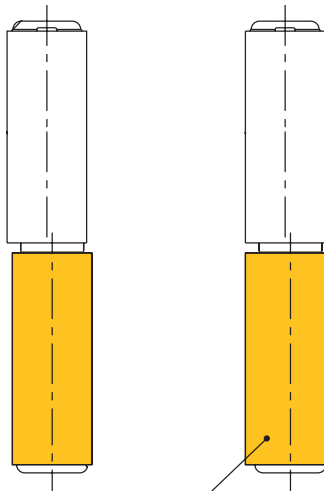
1124.70
1124.73
1124.75

CORE ALIGNING SYSTEM



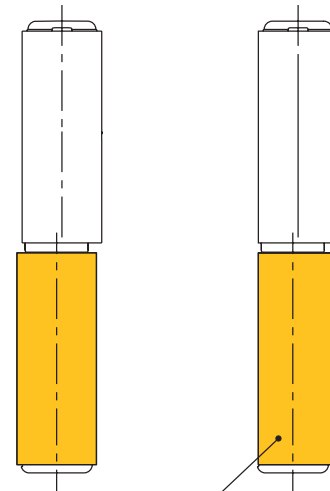
MISALIGNED

ALIGNED

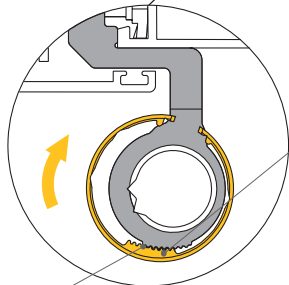


MISALIGNED

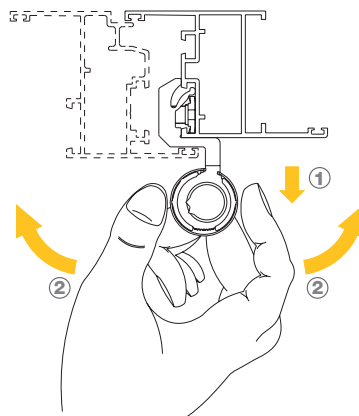
ALIGNED



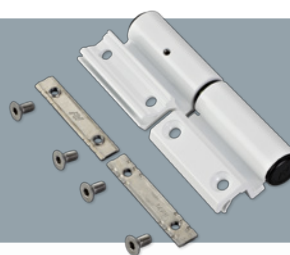
pull and turn the guard
to realign the two
hinge bodies



knurling to block
the position



SUMMA+ AXIAL Two-wing adjustable hinge



1124.70
1124.73
1124.75

MAIN FEATURES

The main characteristics of the hinge stay the same as the SUMMA+ model.

Guard used to realign the two wings of the hinge

The anchoring area on the profile is equipped with tothing that grips the profile, thus preventing the vertical sliding of the hinges

Counterplates in stainless steel for improved corrosion resistance and more solid fixing in time

Grub screw in stainless steel to block the adjustment

Cam bushing for comfortable lateral adjustment (+/- 1.6 mm) without changing the pressure of the gaskets

Half-spherical pin in stainless steel with thrust effect

Self-lubricating eccentric bushing used to adjust the pressure of the gaskets (0 /- 0.5 mm)

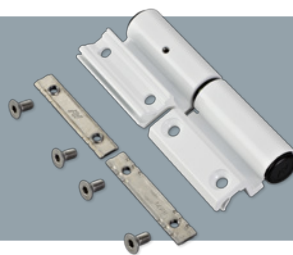
Can be applied to the assembled casement, thanks to the special geometry of the extruded aluminium and of the counterplates in stainless steel

Vertical grub screw for height adjustments (-0/+ 3 mm)

Special new patented clamping. Improved fixing even on thin profiles, eliminating any bending.

ARTICLE	NAME	DESCRIPTION	STANDARD FINISHES	PCS./PACK.
1124.70	SUMMA+ AXIAL	Two-wing adjustable hinge for Euro-groove and NC International profiles (HL, PVD H, PVD X, XSD = 4 pcs.)	1013, 1015, 1247, 7032, 8017, 8019, 9001, 9005, 9010, 9016, B.SA, BL10, BL25, BR5, BR801, BW21, C, F, GR217, GR50, GR51, GR606, HL, NE, PVD H, PVD X, SILV, WT005, XSD, ZE	20
1124.73	SUMMA+ AXIAL	Two-wing adjustable hinge for R40 and New Tec (HL, PVD H, PVD X, XSD = 4 pcs.)	1013, 7035, 8019, 9001, 9005, 9010, BL10, BR5, BR801, BW21, C, F, GR217, GR50, GR51, GR606, HL, NE, PVD H, PVD X, SILV, WT005, XSD, ZE	20
1124.75	SUMMA+ AXIAL	Two-wing adjustable hinge for third leaf for Euro-groove and NC International profiles (HL, PVD H, PVD X, XSD=4 pcs.)	1013, 1015, 1247, 7032, 8017, 8019, 9001, 9005, 9010, 9016, B.SA, BL10, BL25, BR5, BR801, BW21, C, F, GR217, GR50, GR51, GR606, HL, NE, PVD H, PVD X, SILV, WT005, XSD, ZE	20

SUMMA+ AXIAL Two-wing adjustable hinge



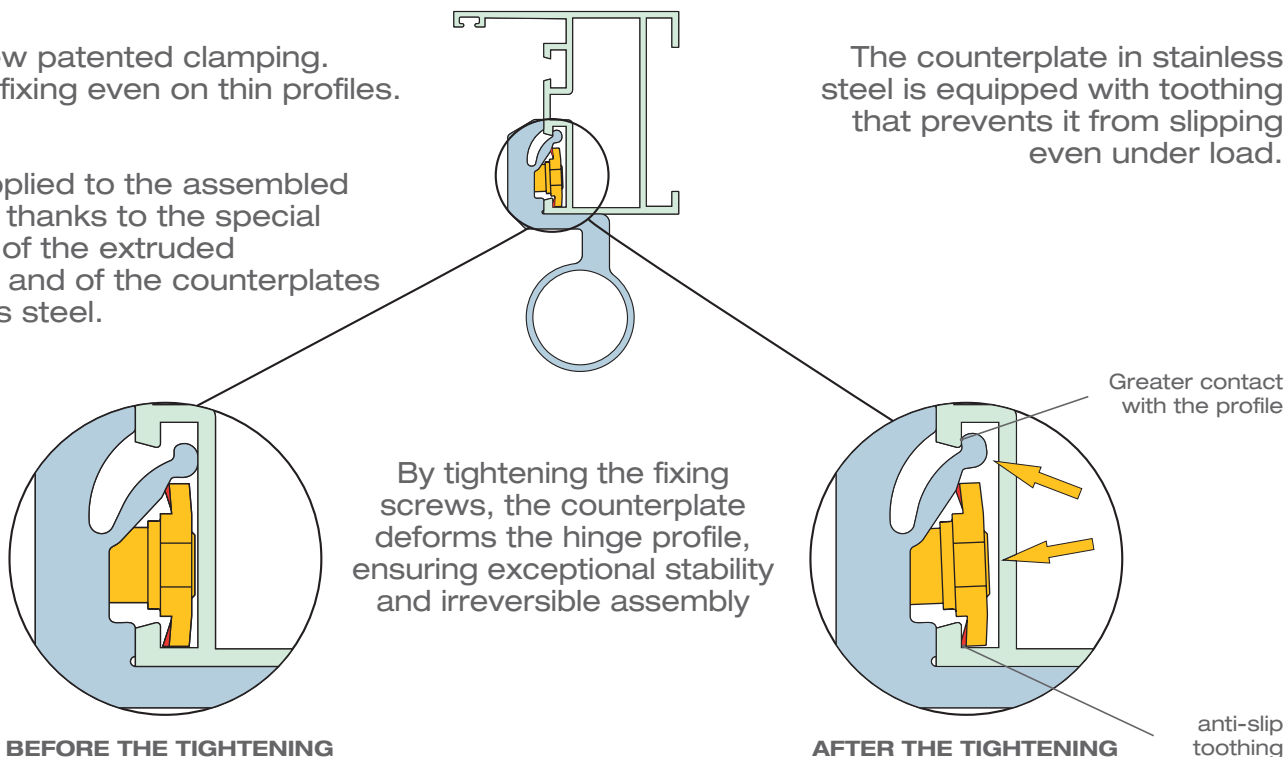
1124.70
1124.73
1124.75

NEW PATENTED CLAMPING SYSTEM

Special new patented clamping.
Improved fixing even on thin profiles.

Can be applied to the assembled
casement thanks to the special
geometry of the extruded
aluminium and of the counterplates
in stainless steel.

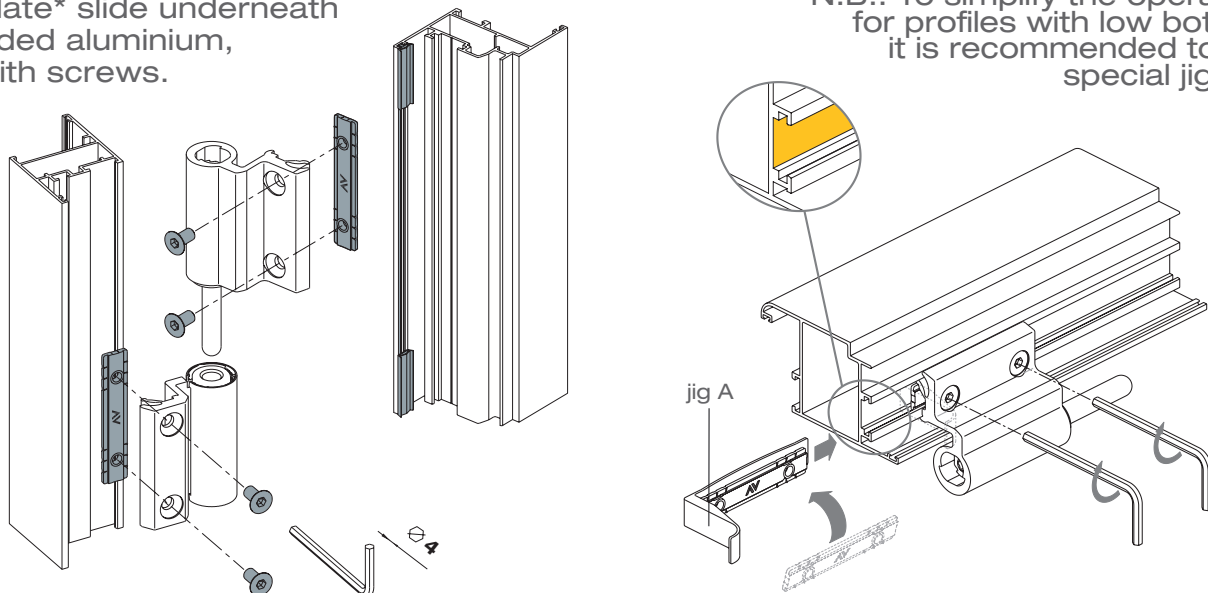
The counterplate in stainless
steel is equipped with tothing
that prevents it from slipping
even under load.



FIXING

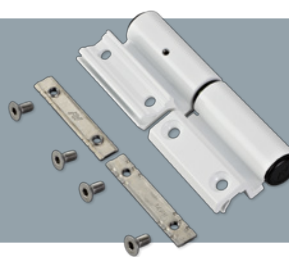
Hook up the hinge wing to the
profile and, after letting the
counterplate* slide underneath
the extruded aluminium,
secure with screws.

*
N.B.: To simplify the operation,
for profiles with low bottom,
it is recommended to use
special jig "A".



SUMMA+ AXIAL

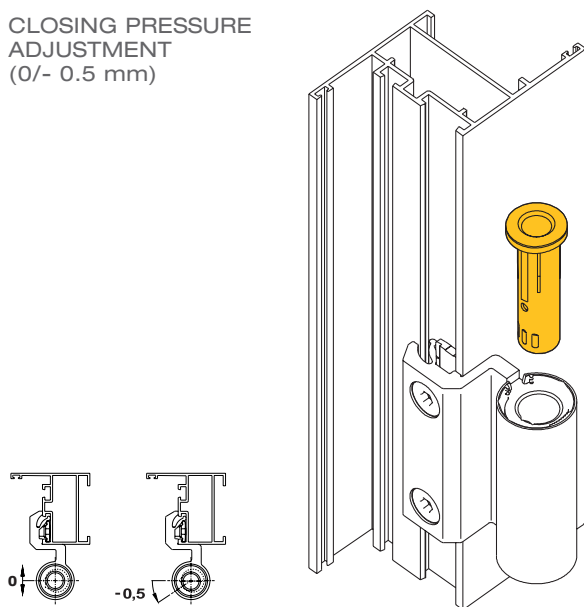
Two-wing adjustable hinge



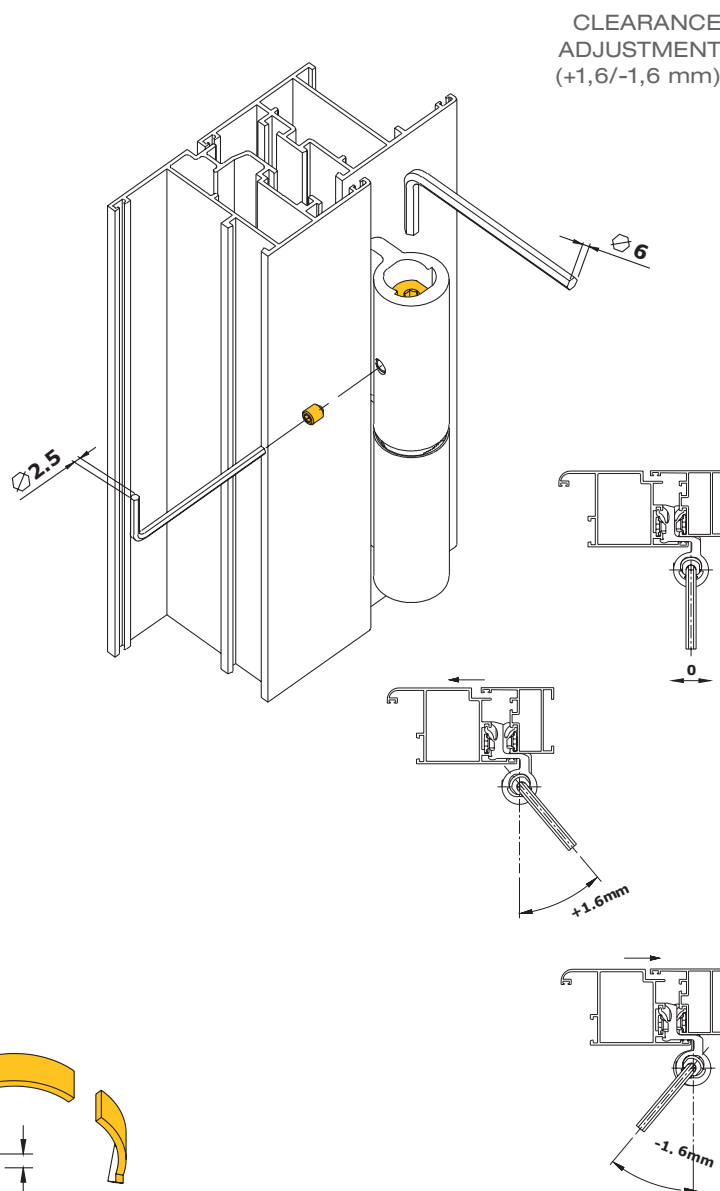
1124.70
1124.73
1124.75

ADJUSTMENTS

CLOSING PRESSURE
ADJUSTMENT
(0/- 0.5 mm)



CLEARANCE
ADJUSTMENT
(+1,6/-1,6 mm)



ADJUSTMENT
IN HEIGHT
(+3 / 0 mm)

