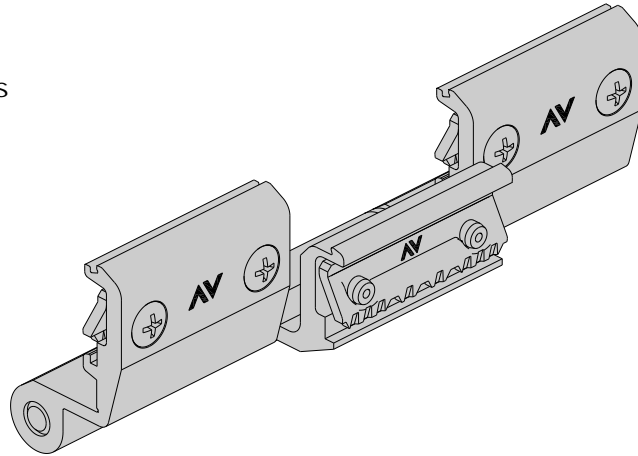
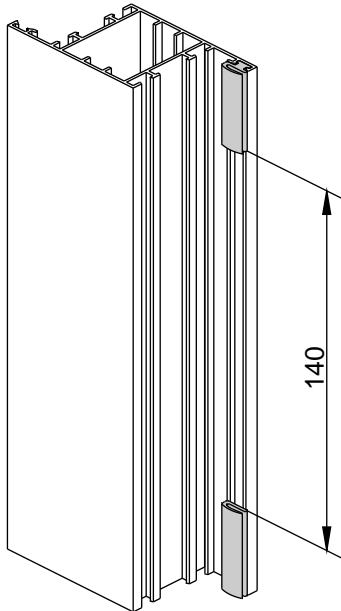


Cerniera a 3 ali per aperture interne
 3 wing hinge for internal openings
 Paumelle à 3 lames pour ouvertures intérieures
 Bisagra de 3 alas para aberturas internas
 3 Flügeliges Band (Innen öffnend)



Asportare la guarnizione
 Remove the gasket
 Enlever le joint
 Sacar la junta
 Dichtung entfernen



Sequenza di montaggio
 Sequence assembly
 Séquence de montage
 Secuencia de montaje
 Montage Reihenfolge

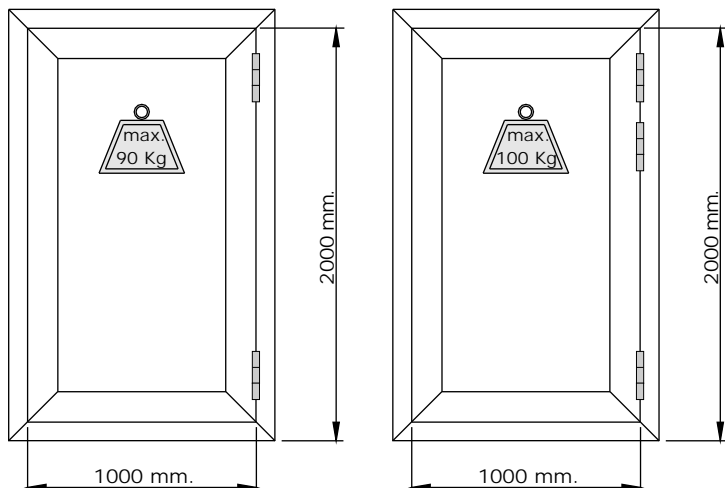
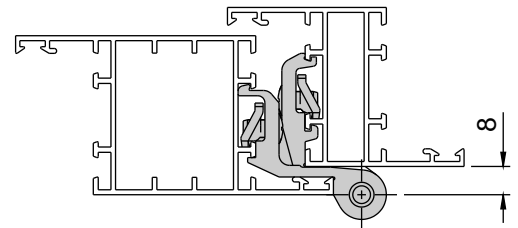
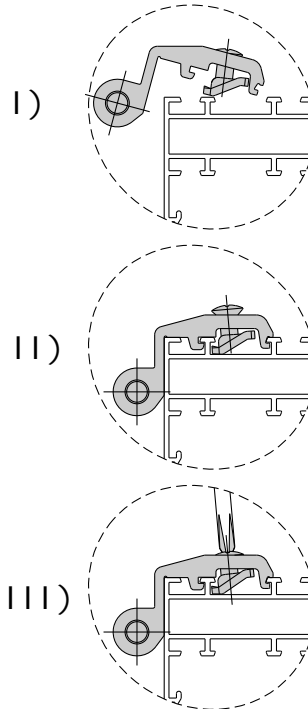


Tabella di adattabilità per profili italiani
 Suitability table for italian profile

Estrusore	Profilo
SAPA	R40/50 TT barra cont./60 TT/62 TT/72 TT
PONZIO SUD	NEW TEC 50/52/60F/60 TT/68 TT
CLL	TECNO 50/50 TT/60 TT/68 TT
ETNALL	40500/TT50
ALLU SISTEMI	RX600/RX700
PRESAL EXTRUSION	PR66TT/PR75TT