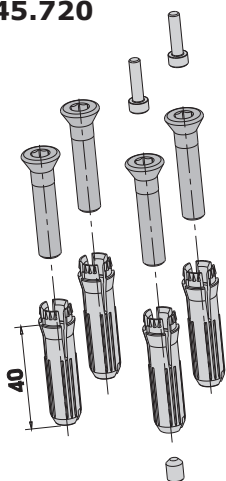
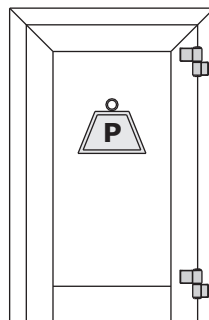
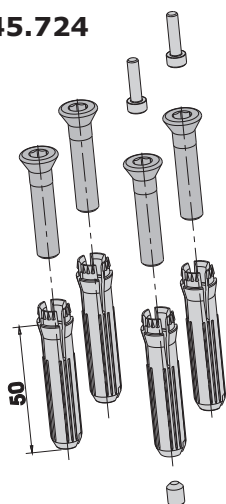


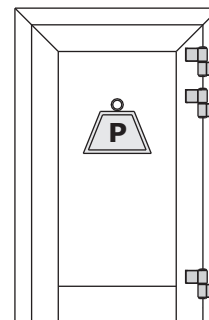
1145.720



1145.724

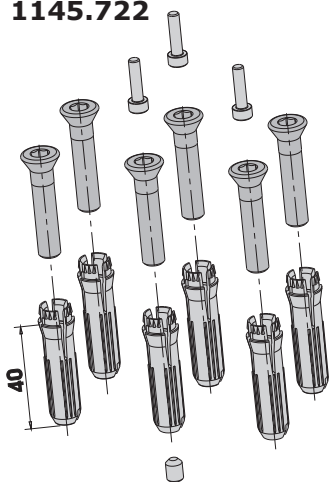


Art./Apr.		P
1145/60	1145/67	80 Kg/кг
1146/59	1146/62,5	
1146/67	1146.2/62	60 Kg/кг
1145/79	1145/86	
1145/93	1145/93SM	
1146/74,5	1146/78	
1146/84	1146/89	
1146/92	1146/97	
1146/104	1146.1/62,5	
1146.1/84		

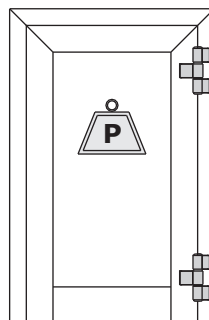
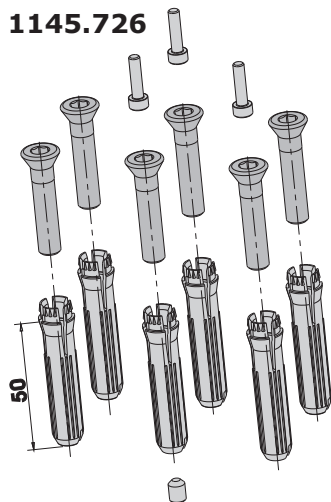


Art./Apr.		P
1145/60	1145/67	90 Kg/кг
1146/59	1146/62,5	
1146/67	1146.2/62	70 Kg/кг
1145/79	1145/86	
1145/93	1145/93SM	
1146/74,5	1146/78	
1146/84	1146/89	
1146/92	1146/97	
1146/104	1146.1/62,5	
1146.1/84		

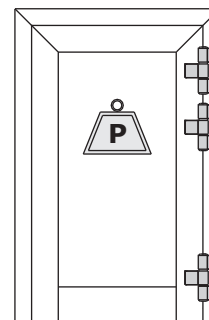
1145.722



1145.726



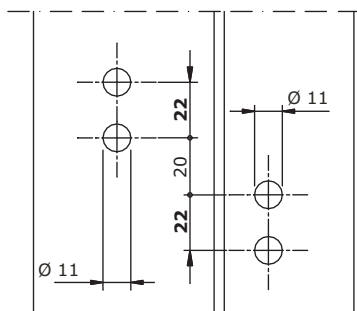
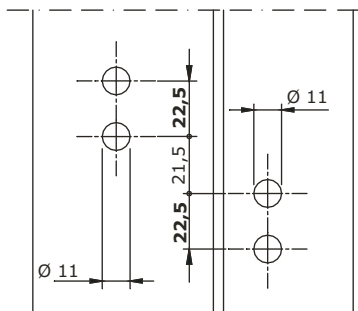
Art./Apr.		P
1145.3/60	1145.3/67	80 Kg/кг
1146.3/59	1146.3/62,5	
1146.3/67	1146.23/62	60 Kg/кг
1145.3/79	1145.3/93	
1145.3/93SM		
1146.3/74,5	1146.3/78	
1146.3/84	1146.3/89	
1146.3/92	1146.3/97	
1146.3/104	1146.13/62,5	
1146.13/84		



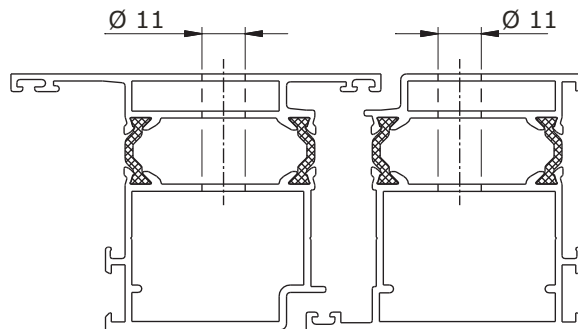
Art./Apr.		P
1145.3/60	1145.3/67	90 Kg/кг
1146.3/59	1146.3/62,5	
1146.3/67	1146.23/62	70 Kg/кг
1145.3/79	1145.3/93	
1145.3/93SM		
1146.3/74,5	1146.3/78	
1146.3/84	1146.3/89	
1146.3/92	1146.3/97	
1146.3/104	1146.13/62,5	
1146.13/84		

1145/..

1146/..

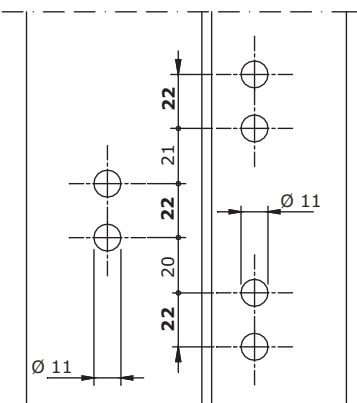
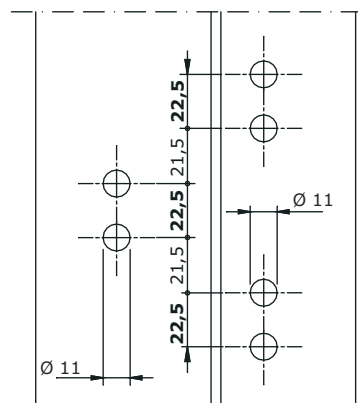


Apertura esterna / External opening / ouverture extérieure
 abertura externa / Auswärts öffnend / Открывание наружу



1145.3/..

1146.3/..



Apertura interna / Internal opening / ouverture intérieure
 abertura interna / Einwärts öffnend / Открывание внутрь

