

Spessori per cerniere MECHANICA art. 1145/60/67/79/86/93/93SM - 1145.3/60/67/79/86/93/93SM - 1146/62.5/78/84/89/92/97/104 - 1146.3/62.5/78/84/89/92/97/104 - 1146.1/62.5/84 - 1146.13/62.5/84

Cales pour paumelles MECHANICA art. 1145/60/67/79/86/93/93SM - 1145.3/60/67/79/86/93/93SM - 1146/62.5/78/84/89/92/97/104 - 1146.3/62.5/78/84/89/92/97/104 - 1146.1/62.5/84 - 1146.13/62.5/84

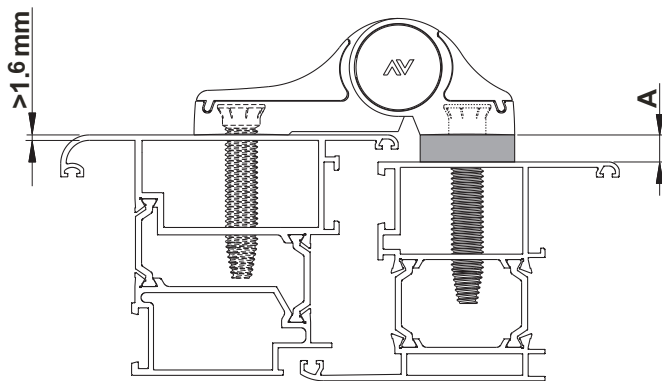
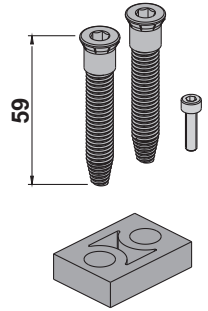
MECHANICA hinge spacers art. 1145/60/67/79/86/93/93SM - 1145.3/60/67/79/86/93/93SM - 1146/62.5/78/84/89/92/97/104 - 1146.3/62.5/78/84/89/92/97/104 - 1146.1/62.5/84 - 1146.13/62.5/84

Espesores para las bisagras MECHANICA art. 1145/60/67/79/86/93/93SM - 1145.3/60/67/79/86/93/93SM - 1146/62.5/78/84/89/92/97/104 - 1146.3/62.5/78/84/89/92/97/104 - 1146.1/62.5/84 - 1146.13/62.5/84

Distanzstücke für Bänder MECHANICA art. 1145/60/67/79/86/93/93SM - 1145.3/60/67/79/86/93/93SM - 1146/62.5/78/84/89/92/97/104 - 1146.3/62.5/78/84/89/92/97/104 - 1146.1/62.5/84 - 1146.13/62.5/84

Podkładka dystansowa do zawiasu Mechanica art. 1145/60/67/79/86/93/93SM - 1145.3/60/67/79/86/93/93SM - 1146/62.5/78/84/89/92/97/104 - 1146.3/62.5/78/84/89/92/97/104 - 1146.1/62.5/84 - 1146.13/62.5/84

Подкладки для петель Mechanica арт. 1145/60/67/79/86/93/93SM - 1145.3/60/67/79/86/93/93SM - 1146/62.5/78/84/89/92/97/104 - 1146.3/62.5/78/84/89/92/97/104 - 1146.1/62.5/84 - 1146.13/62.5/84



Viti zincate / Galvanized screws  
Vis zinguées/ Tornillos zincadas  
Verzinkte Schrauben / Оцинкованные болты / Śruby ocynkowane

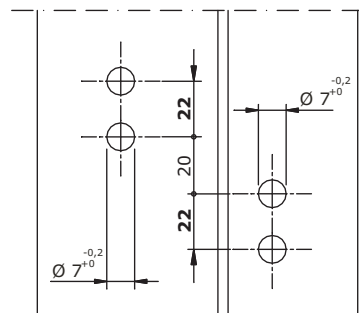
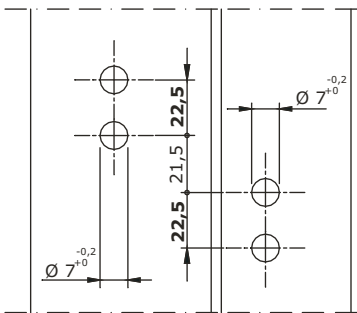
A mm	Articles
7	1145.752/7
8.5	1145.752/8
10	1145.752/10

Viti inox / Stainless steel screws  
Vis en inox / Tornillos de inox  
Rostfreie Schrauben / Нержав. болты / Śruby ze stali nierdzewnej

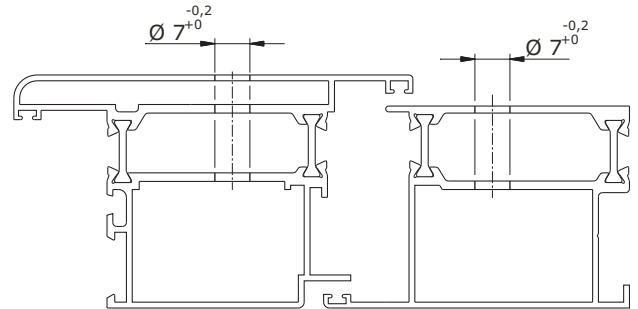
A mm	Articles
7	1145.753/7
8.5	1145.753/8
10	1145.753/10

1145/..

1146/..

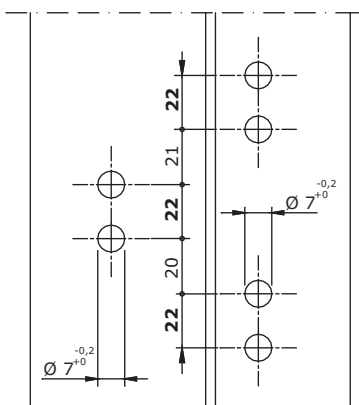
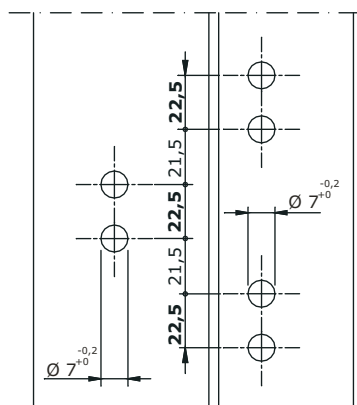


Apertura esterna / External opening / Ouverture extérieure  
Abertura externa / Auswärts öffnend / Drzwi otwierane na zewnątrz  
Наружное открывание



1145.3/..

1146.3/..



Apertura interna / Internal opening / Ouverture intérieure  
Abertura interna / Einwärts öffnend / Drzwi otwierane do wewnątrz  
Внутреннее открывание

