

Art. 1145.762/7 - 1145.762/8 - 1145.762/10

Spessori per cerniere MECHANICA art. 1145/60/67/79/86/93/93SM - 1145.3/60/67/79/86/93/93SM - 1146/62.5/78/84/89/92/97/104 - 1146.3/62.5/78/84/89/92/97/104 - 1146.1/62.5/84 - 1146.13/62.5/84

Cales pour paumelles MECHANICA art. 1145/60/67/79/86/93/93SM - 1145.3/60/67/79/86/93/93SM - 1146/62.5/78/84/89/92/97/104 - 1146.3/62.5/78/84/89/92/97/104 - 1146.1/62.5/84 - 1146.13/62.5/84

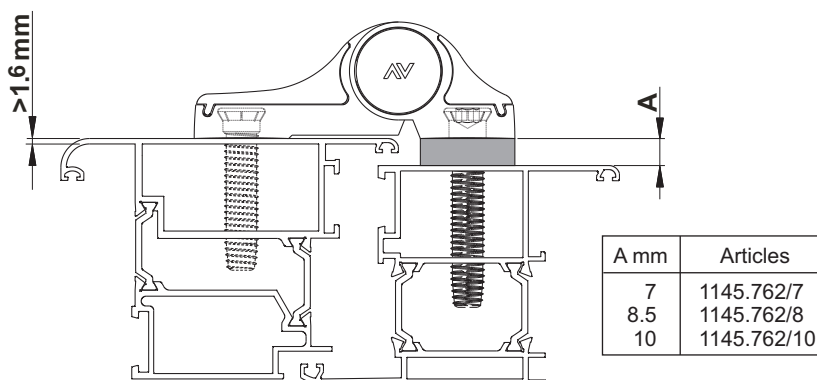
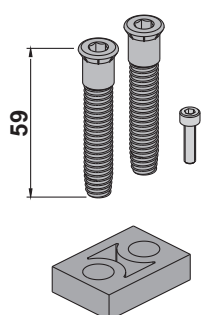
MECHANICA hinge spacers art. 1145/60/67/79/86/93/93SM - 1145.3/60/67/79/86/93/93SM - 1146/62.5/78/84/89/92/97/104 - 1146.3/62.5/78/84/89/92/97/104 - 1146.1/62.5/84 - 1146.13/62.5/84

Espesores para las bisagras MECHANICA art. 1145/60/67/79/86/93/93SM - 1145.3/60/67/79/86/93/93SM - 1146/62.5/78/84/89/92/97/104 - 1146.3/62.5/78/84/89/92/97/104 - 1146.1/62.5/84 - 1146.13/62.5/84

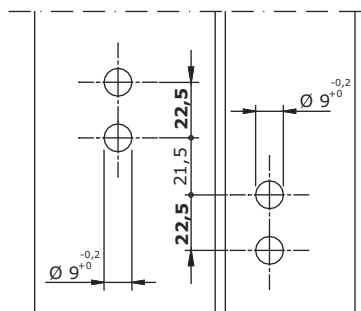
Distanzstücke für Bänder MECHANICA art. 1145/60/67/79/86/93/93SM - 1145.3/60/67/79/86/93/93SM - 1146/62.5/78/84/89/92/97/104 - 1146.3/62.5/78/84/89/92/97/104 - 1146.1/62.5/84 - 1146.13/62.5/84

Podkładka dystansowa do zawiasu Mechanica art. 1145/60/67/79/86/93/93SM - 1145.3/60/67/79/86/93/93SM - 1146/62.5/78/84/89/92/97/104 - 1146.3/62.5/78/84/89/92/97/104 - 1146.1/62.5/84 - 1146.13/62.5/84

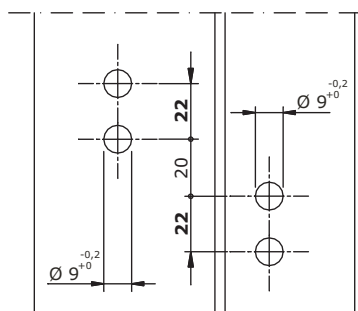
Подкладки для петель Mechanica арт. 1145/60/67/79/86/93/93SM - 1145.3/60/67/79/86/93/93SM - 1146/62.5/78/84/89/92/97/104 - 1146.3/62.5/78/84/89/92/97/104 - 1146.1/62.5/84 - 1146.13/62.5/84



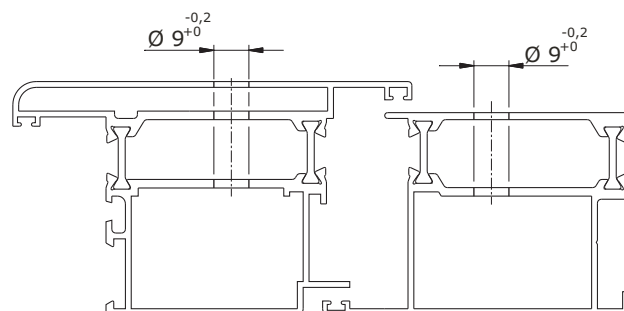
1145/..



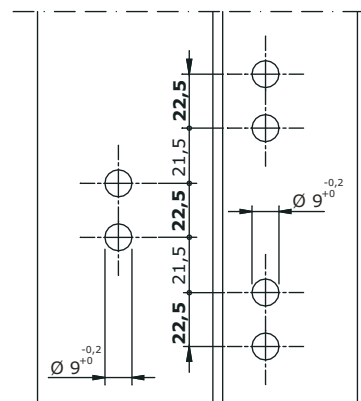
1146/..



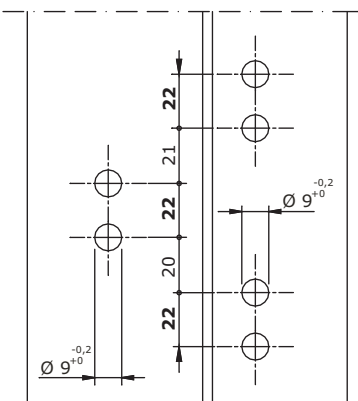
Apertura esterna / External opening / Ouverture extérieure
Abertura externa / Auswärts öffnend / Drzwi otwierane na zewnątrz
Наружное открывание



1145.3/..



1146.3/..



Apertura interna / Internal opening / Ouverture intérieure
Abertura interna / Einwärts öffnend / Drzwi otwierane do wewnątrz
Внутреннее открывание

