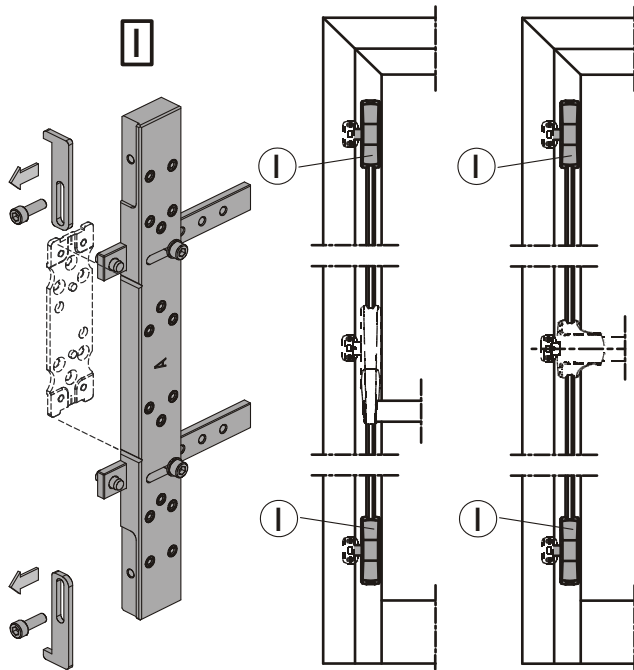


6000.3/1200 - 6100.3/1085 - 6000.740



6000.2/1200 - 6100.2/1085 - 6000.730

