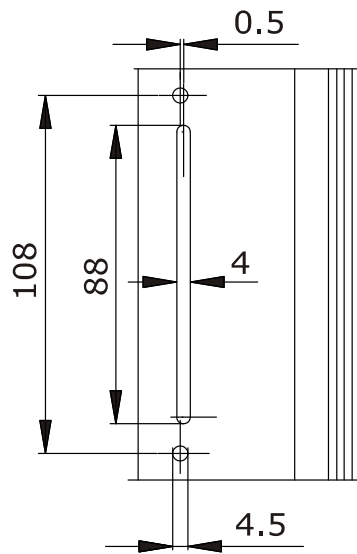


Machining for connection



Machining for internal mechanisms

