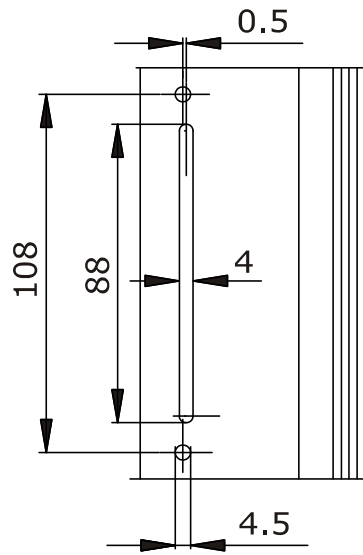


**Machining for connection**



**Machining for internal mechanisms**

