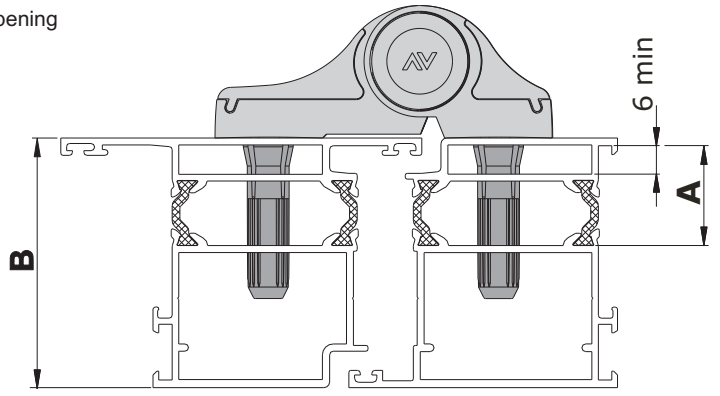
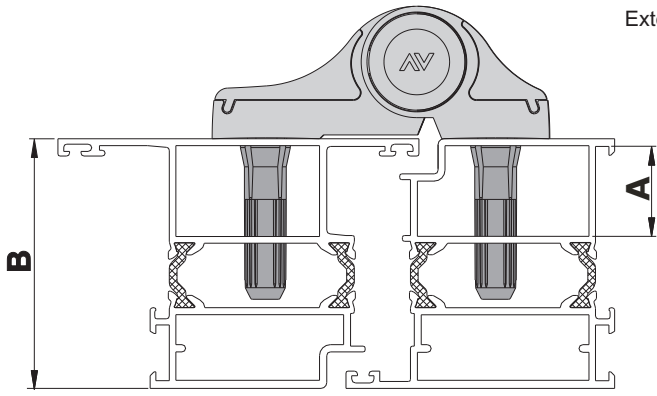


External opening

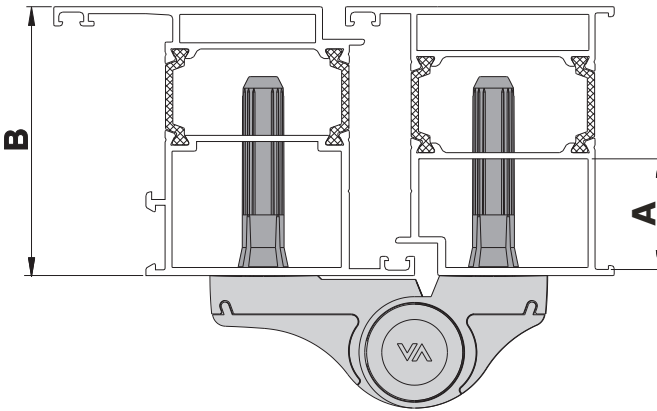


<b>1145.720/.722</b>	
<b>A= 15 + 34</b>	<b>B ≥ 45</b>

<b>1145.724/.726</b>	
<b>A= 15 + 44</b>	<b>B ≥ 55</b>

<b>1145.720/.722</b>	
<b>A= 15 + 34</b>	<b>B ≥ 45</b>

<b>1145.724/.726</b>	
<b>A= 15 + 44</b>	<b>B ≥ 55</b>

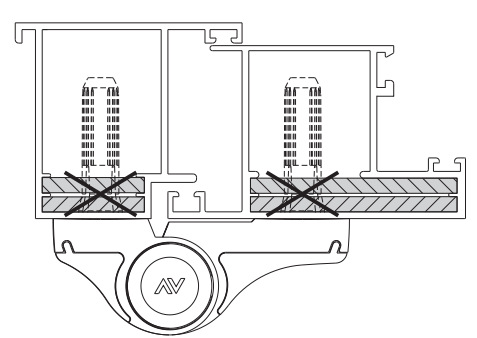
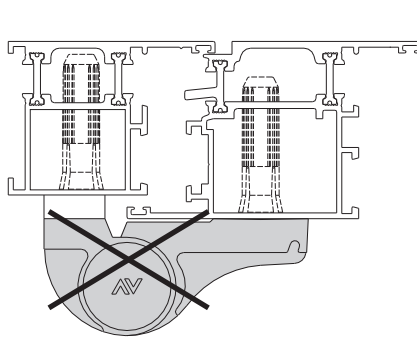
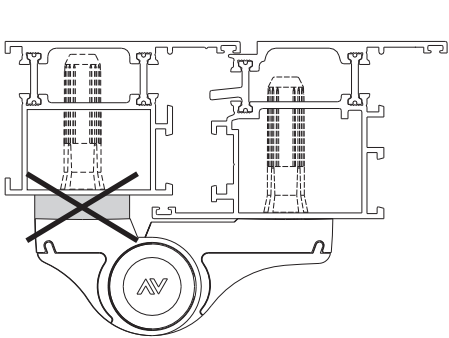


Internal opening

<b>1145.720/.722</b>	
<b>A= 15 + 34</b>	<b>B ≥ 45</b>

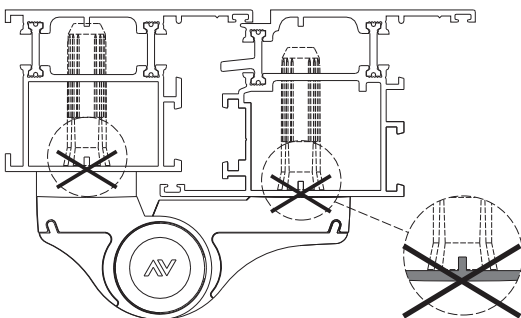
<b>1145.724/.726</b>	
<b>A= 15 + 44</b>	<b>B ≥ 55</b>

Fixing devices cannot be used in the following cases:



**Art. 1145.702/7 - 1145.702/8 - 1145.702/10**  
**Art. 1145.703/7 - 1145.703/8 - 1145.703/10**

**Art. 1145/53 - 1145/60MR - 1145/67MR**



Next to the profiles stiffening ribs

**AV SAVIO**