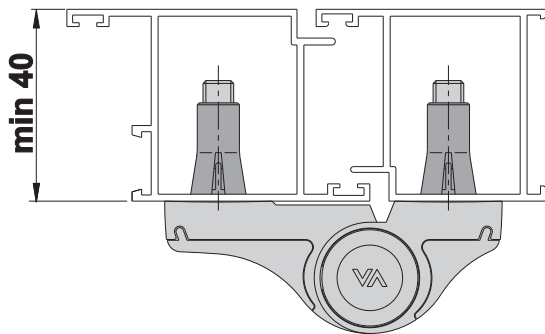
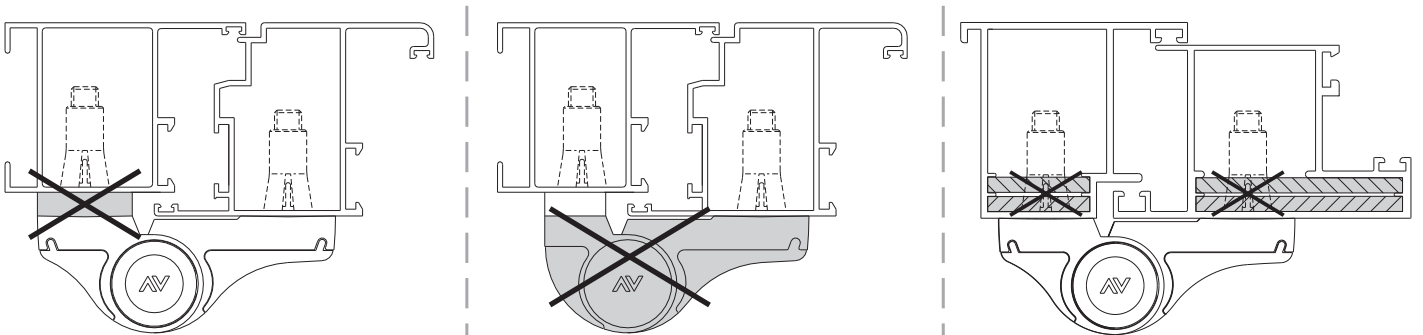


External opening



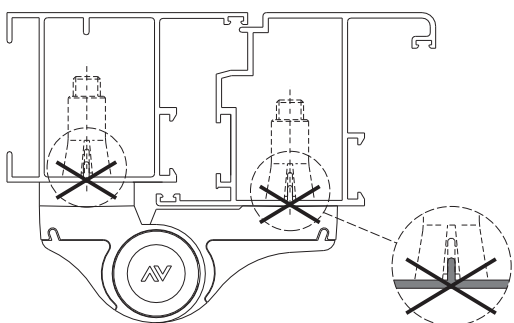
Internal opening

Fixing devices cannot be used in the following cases:



Art. 1145.702/7 - 1145.702/8 - 1145.702/10  
 Art. 1145.703/7 - 1145.703/8 - 1145.703/10

Art. 1145/53 - 1145/60MR - 1145/67MR



Next to the profiles stiffening ribs