

Door closers and hinges for door closers

137

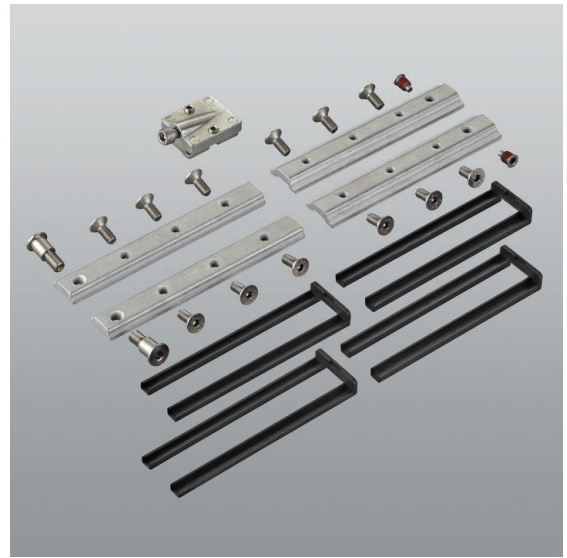


- REKLÒ

Page 138



1190R/28-1190L/28

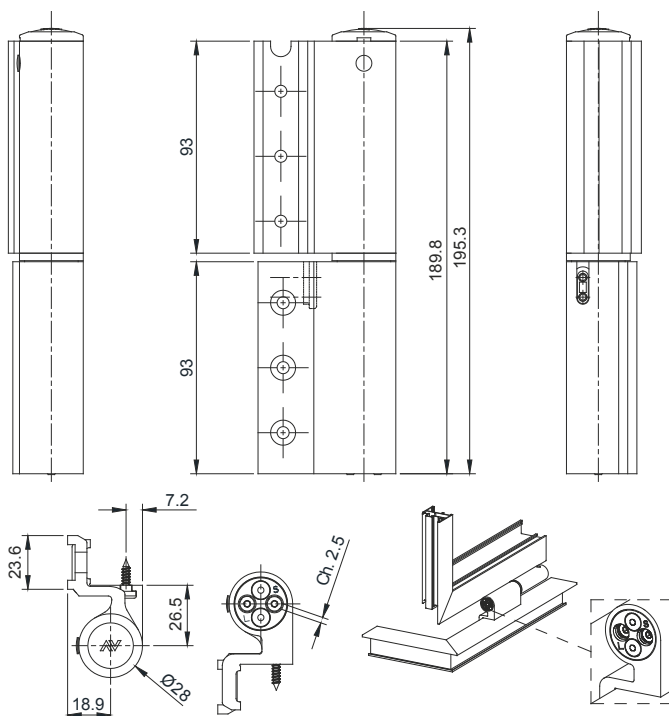


1190R.700-1190L.700

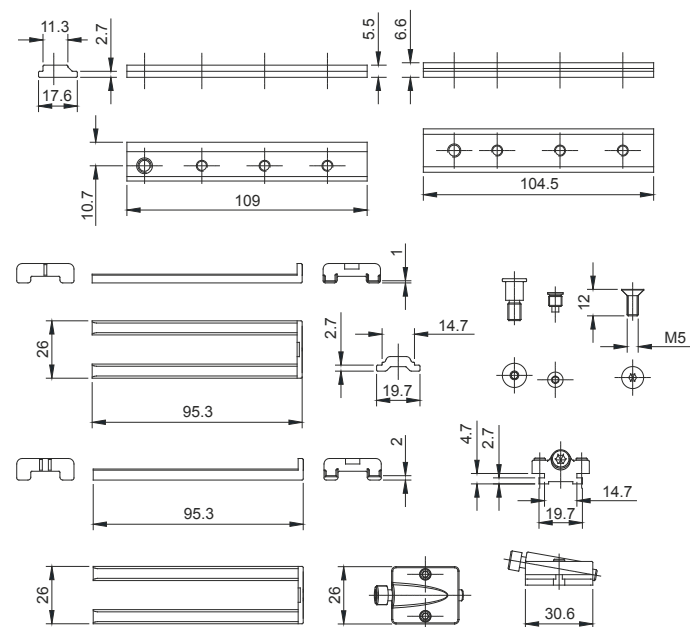
code	description	finishes	pcs.
1190R/28	2-wing door closer hinge, RH pre-assembled, in coated or anodized aluminium, internal mechanism in galvanized steel, nickel, stainless steel and brass, rubber gaskets, 1 stainless steel stiffening snap, 2 white galvanized countersunk head screws 3.5x16, 1 black nylon upper cap.	9005, 9010, BL10, F, SILV	4
1190L/28	Like 1190R/28 but left hand.	9005, 9010, BL10, F, SILV	4
1190R.700	RH aluminium fitting kit for Eurogroove profiles (frame grooves 14-18 mm), including: 2 stainless steel pins for sash wing clamping, 2 counterplates for sash wing and 2 counterplates for RH frame wing in rough aluminium, 2 spacers of 1 mm and 2 spacers of 2 mm in black nylon for sash, 12 socket head cap screws M5x12 in stainless steel, 2 T15 special grub screws M6x8.8 in stainless steel and 1 adjustment group in white galvanized zamak composed of 2 grub screws PCOP M5X6 and 2 socket head cap screws M5x35 in stainless steel, pre-assembled.		2
1190L.700	Like 1190R.700 but left hand.		2

Door closers and hinges for door closers

138 **Reklò**



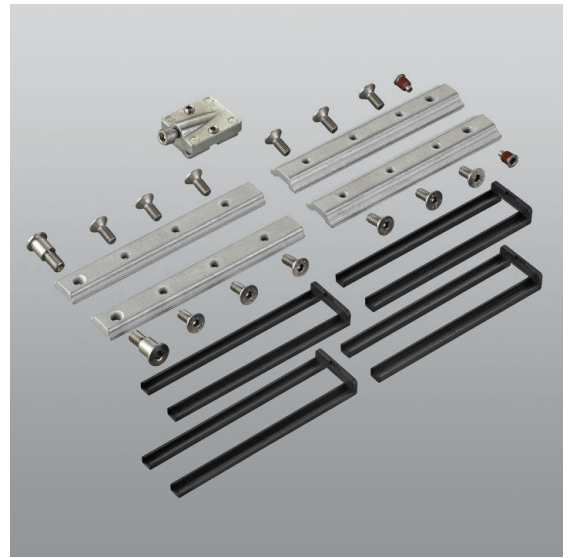
1190R/28 - 1190L/28



1190R.700 - 1190L.700



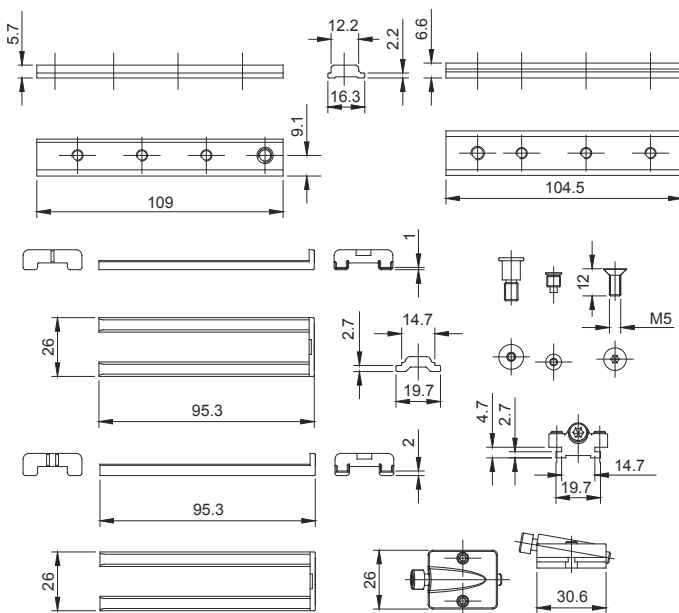
1195/28



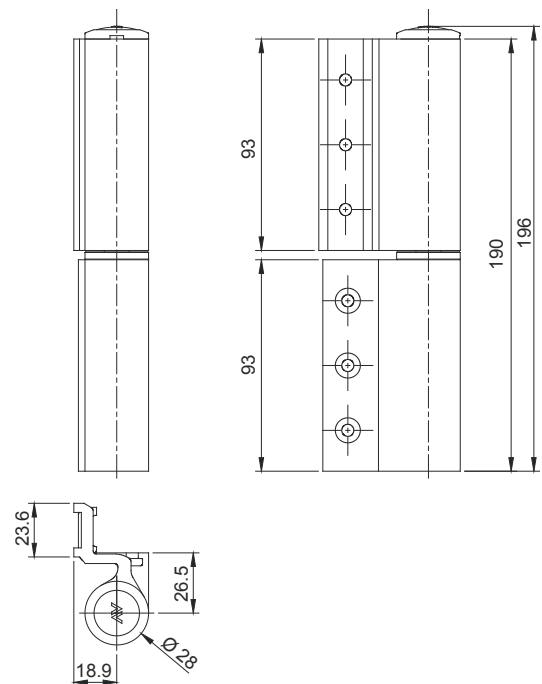
1190R.701-1190L.701

code	description	finishes	pcs.
1190R.701	RH aluminium fitting kit for Eurogroove/NC Int. profiles (frame grooves 13-16.5 mm), including: 2 stainless steel pins for sash wing clamping, 2 counterplates for sash wing and 2 counterplates for RH frame wing in rough aluminium, 2 spacers of 1 mm and 2 spacers of 2 mm in black nylon for sash, 12 socket head cap screws M5x12 in stainless steel, 2 T15 special grub screws M6x8.8 in stainless steel and 1 adjustment group in white galvanized zamak composed of 2 grub screws PCOP M5X6 and 2 socket head cap screws M5x35 in stainless steel, pre-assembled.		2
1190L.701	Like 1190R.701 but left hand.		2
1195/28	2-wing adjustable door hinge made of aluminium, centre of rotation 26.5 mm, 1 stainless steel pin Ø 11 mm, pre-assembled on nylon cam bushing device, 1 self-lubricating bushing and 1 cap in nylon. Weight capacity: 2 hinges 120 Kg.	9005, 9010, BL10, F, SILV	4

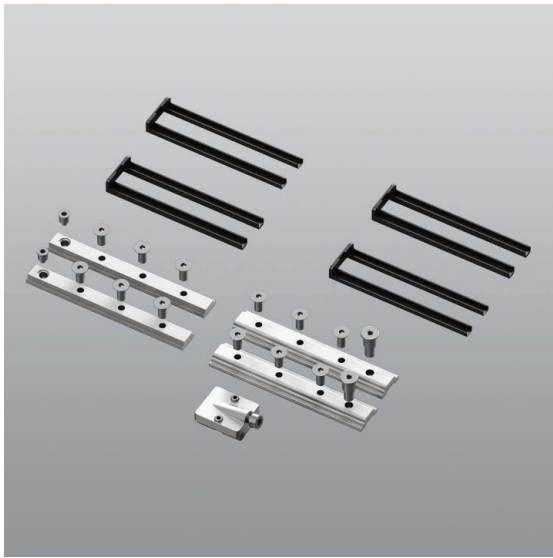
Door closers and hinges for door closers



1190R.701 - 1190L.701



1195/28



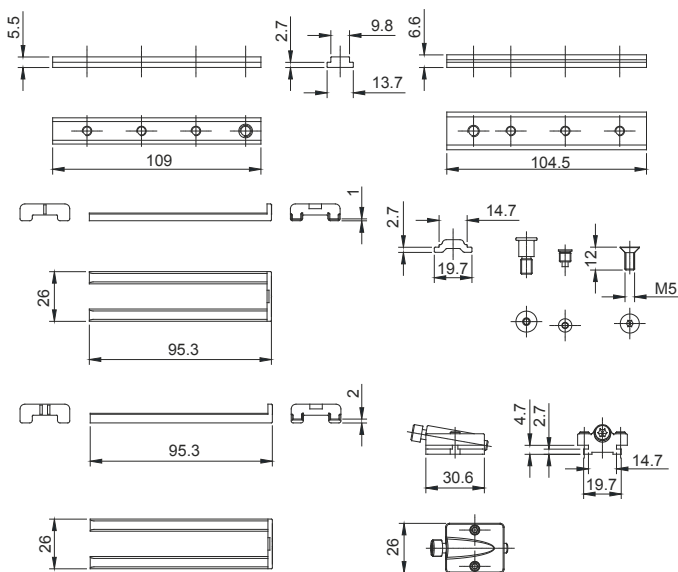
1190.702



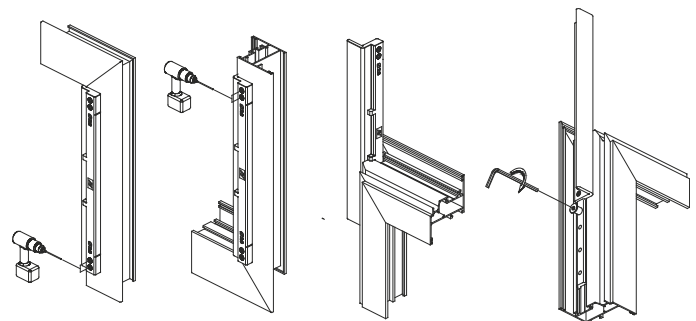
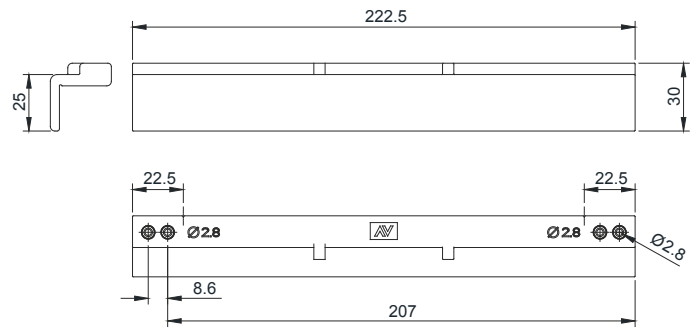
1190.901

code	description	finishes	pcs.
1190.702	Non-handed fitting kit for Eurogroove profiles (frame grooves 10-14.3 mm), including: 2 stainless steel pins for sash wing clamping, 2 counterplates for sash wing and 2 counterplates for frame wing in rough aluminium, 2 spacers of 1 mm and 2 spacers of 2 mm in black nylon for sash, 12 socket head cap screws M5x12 in stainless steel, 2 T15 special grub screws M6x8.8 in stainless steel and 1 adjustment group in white galvanized zamak composed of 2 grub screws PCOP M5X6 and 2 socket head cap screws M5x35 in stainless steel, pre-assembled.		2
1190.901	Black nylon drilling jig for stiffening snap and upper hinge positioning, for items 1190R/28 - 1190L/28.		1

Door closers and hinges for door closers



1190.702



1190.901