

---

## Door locks

401

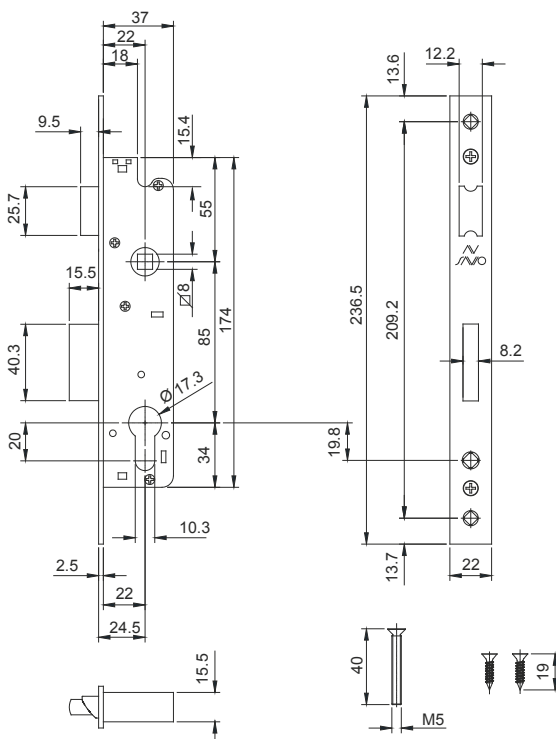


### 1852.19/25G-1852.19/30G

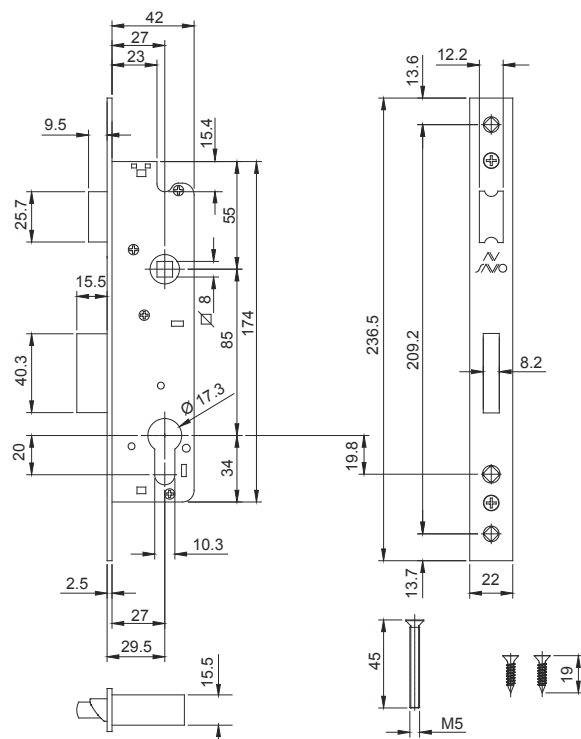
code	description	finishes	pcs.
1852.19/25G	Jamb lock with stainless steel faceplate, 25 mm backset, distance between centres of 85 mm, with reversible latch, one throw deadbolt, 1 stainless steel screw M5x40 and 2 stainless steel self-tapping countersunk hd. Screws Ø 4,29x19 mm. For shaped cylinder.		1
1852.19/30G	Jamb lock with stainless steel faceplate, 30 mm backset, distance between centres of 85 mm, with reversible latch, one throw deadbolt, 1 stainless steel screw M5x45 and 2 stainless steel self-tapping countersunk hd. Screws Ø 4,29x19 mm. For shaped cylinder.		1

## Door locks

402



1852.19/25G



1852.19/30G



1852.801/70  
1852.801/75  
1852.801/80  
1852.801/85

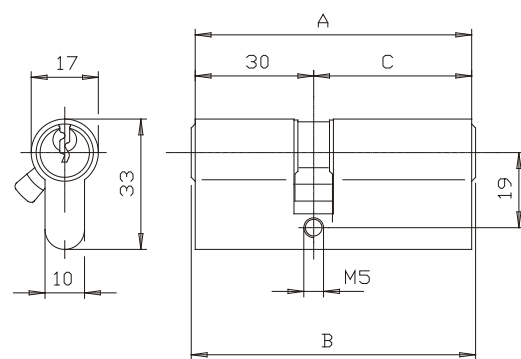
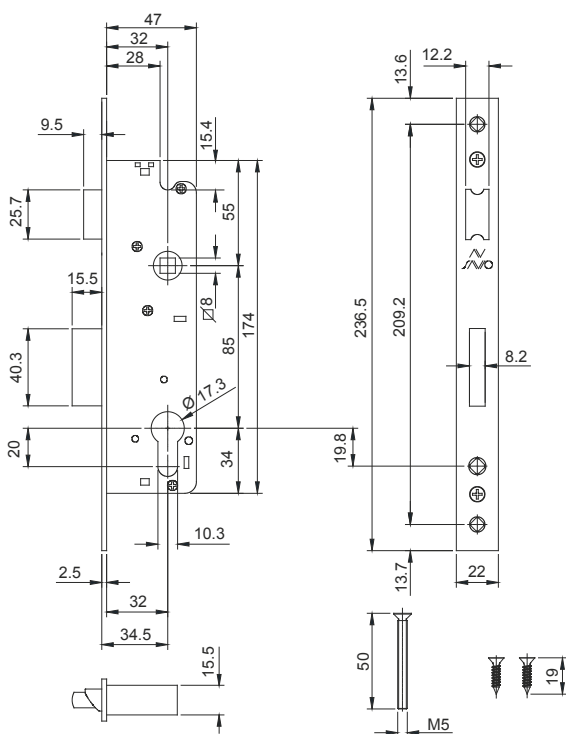


**1852.19/35G**

code	description	finishes	pcs.
1852.19/35G	Jamb lock with stainless steel faceplate, 35 mm backset, distance between centres of 85 mm, with reversible latch, one throw deadbolt, 1 stainless steel screw M5x50 and 2 stainless steel self-tapping countersunk hd. Screws Ø 4,29x19 mm. For shaped cylinder.		20
1852.801/70	Double security european-shaped cylinder in nicked brass, with different key combination, dimension of 70 mm (30x40 mm).		10
1852.801/75	Double security european-shaped cylinder in nicked brass, with different key combination, dimension of 75 mm (30x45 mm).		10
1852.801/80	Double security european-shaped cylinder in nicked brass, with different key combination, dimension of 80 mm (30x50 mm).		10
1852.801/85	Double security european-shaped cylinder in nicked brass, with different key combination, dimension of 85 mm (30x55 mm).		10

## Door locks

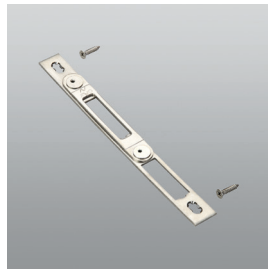
403



Art./Code	A	B	C
1852.801/70	70	70,6	40
1852.801/75	75	75,6	45
1852.801/80	80	80,6	50
1852.801/85	85	85,6	55

1852.801/70  
1852.801/75  
1852.801/80  
1852.801/85

1852.19/35G



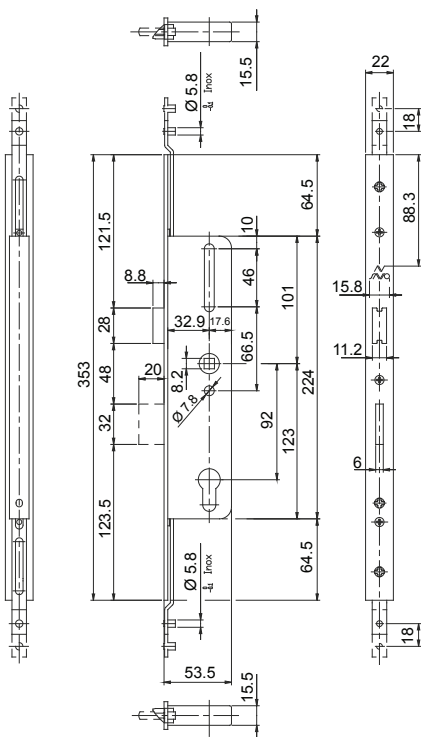
4221.803

## 4221/35

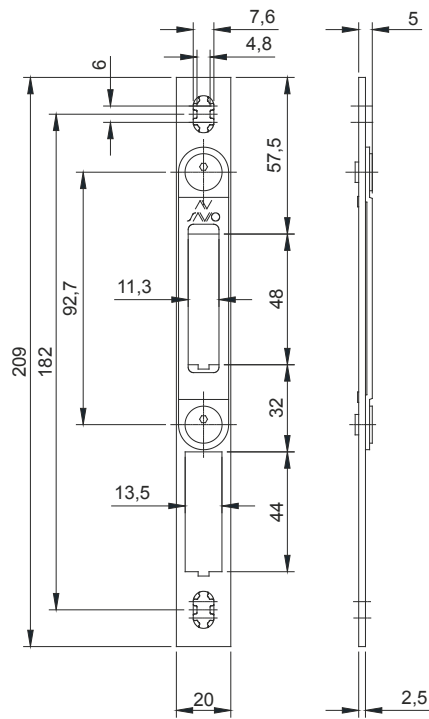
code	description	finishes	pcs.
4221/35	Manual door lock with front plate in stainless steel AISI 304, body in white galvanized steel, stroke of 18 mm, backset of 35 mm, 8 mm square handle.		1
4221.803	Stainless steel counterplate for art. 4221/35, 2 self-tapping countersunk hd. screws 4.2x19 in stainless steel.		20

## Door locks

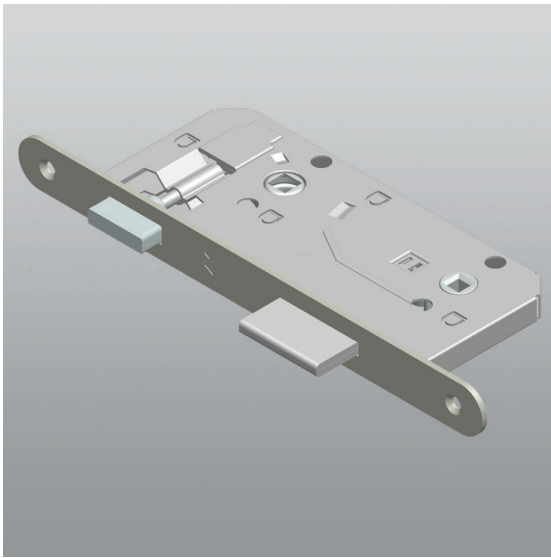
404



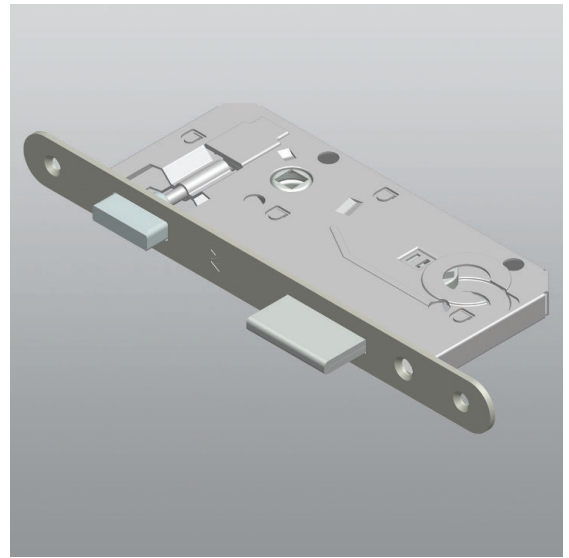
4221/35



4221.803



**4230.5/24BQ**



**4230.5/24BR**

**code**

4230.5/24BR

4230.5/24BQ

**description**

Lock with magnetic latch and metallic turn bolt, preset for european profile cylinder, body and front plate in galvanized steel. Backset of 50 mm and distance between centres of 90 mm. Front plate 22 mm x 240 mm.

Lock with magnetic latch and metallic turn bolt, preset for knob with square of 6/7 mm, body and front plate in galvanized steel. Backset of 50 mm and distance between centres of 90 mm. Front plate 22 mm x 240 mm.

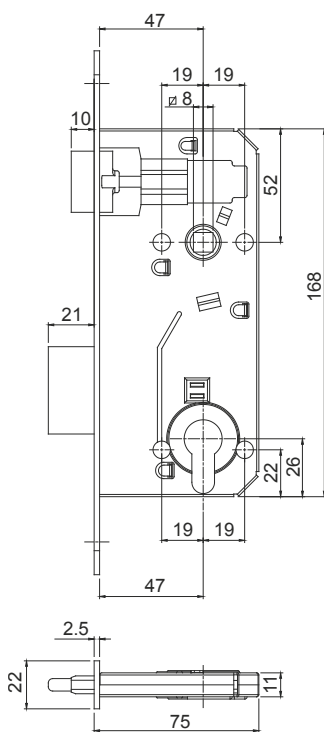
**finishes pcs.**

CO, CS, OL 50

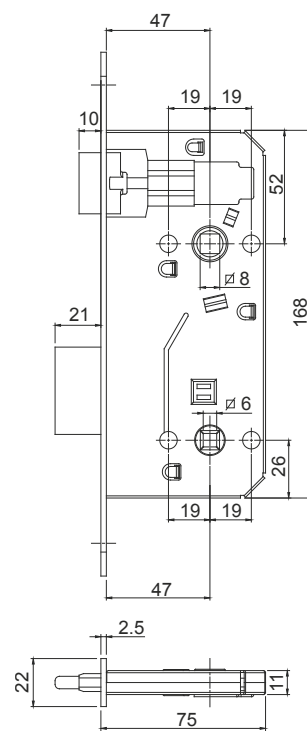
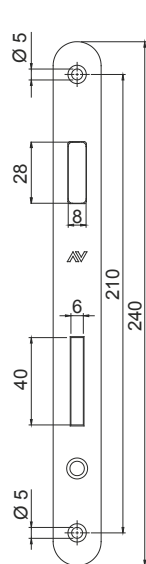
CO, CS, OL 50

Door locks

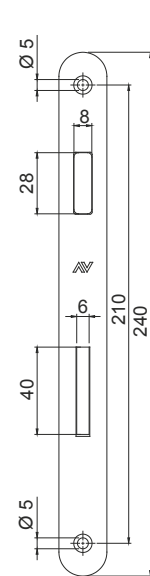
Autó 405

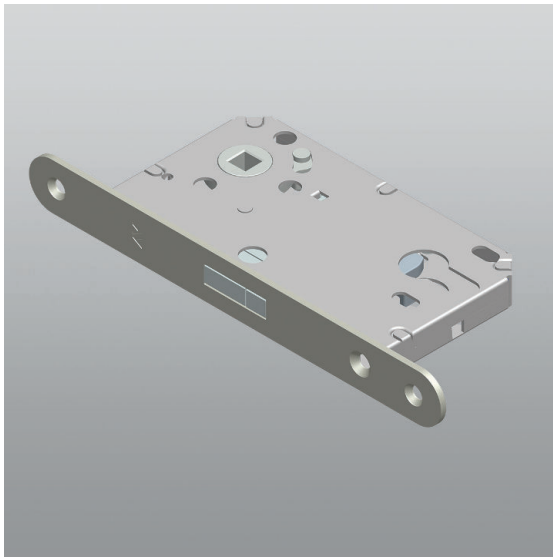


4230.5/24BR

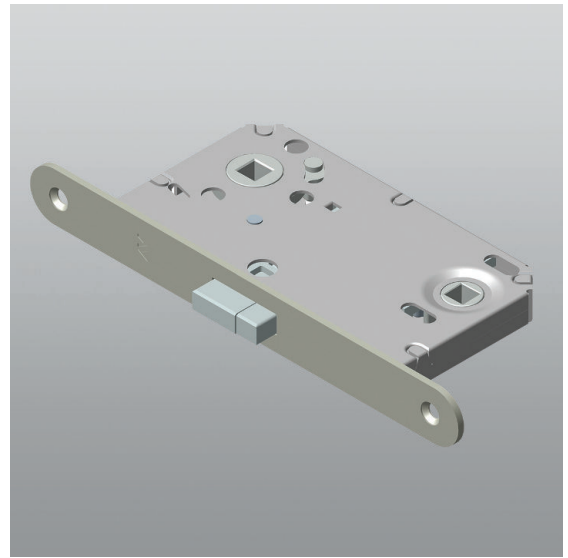


4230.5/24BQ





**4231.5/20BR**

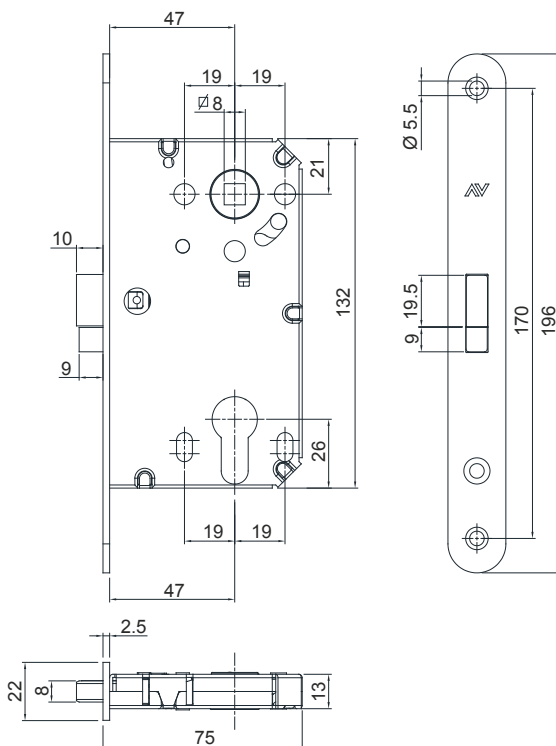


**4231.5/20BQ**

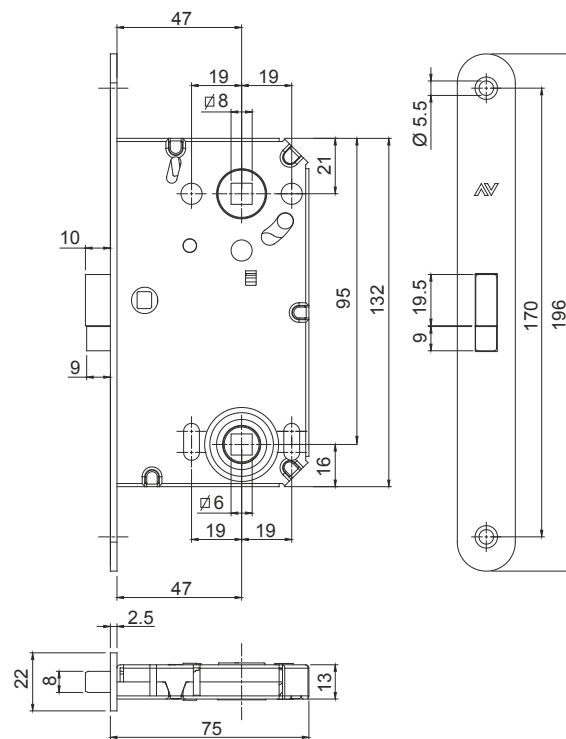
code	description	finishes	pcs.
4231.5/20BR	Lock with magnetic latch and central turn bolt, preset for european profile cylinder, body and front plate in galvanized steel. Backset of 50 mm and distance between centres of 85 mm. Front plate 22 mm x 196 mm.	CO, CS, OL	50
4231.5/20BQ	Lock with magnetic latch and central turn bolt, preset for knob with square of 6/7 mm, body and front plate in galvanized steel. Backset of 50 mm and distance between centres of 85 mm. Front plate 22 mm x 196 mm.	CO, CS, OL	50

## Door locks

# 406 Autó



**4231.5/20BR**



**4231.5/20BQ**



**4232.3/19BQ**

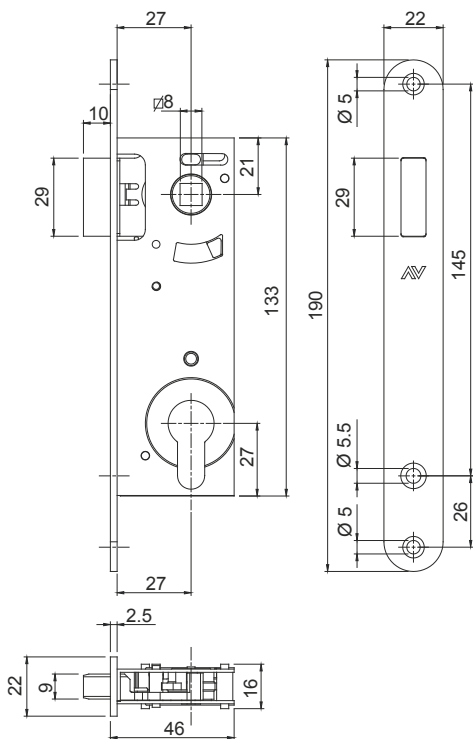


**4232.3/19BR**

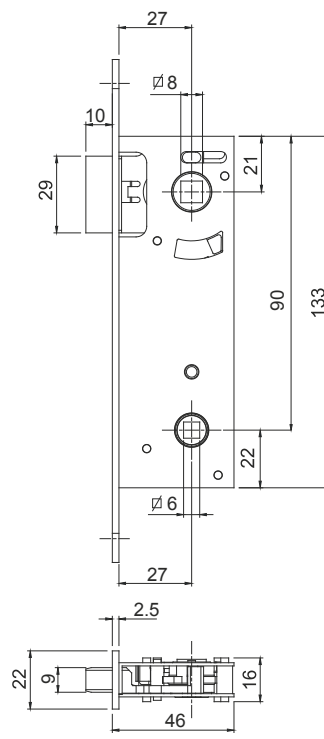
code	description	finishes	pcs.
4232.3/19BR	Lock with magnetic latch for aluminium doors, preset for european profile cylinder, body and front plate in galvanized steel. Backset of 30 mm and distance between centres of 85 mm. Front plate 22 mm x 196 mm.	CO, CS, OL	50
4232.3/19BQ	Lock with magnetic latch for aluminium doors, preset for knob with square of 6/7 mm, body and front plate in galvanized steel. Backset of 30 mm and distance between centres of 85 mm. Front plate 22 mm x 196 mm.	CO, CS, OL	50

## Door locks

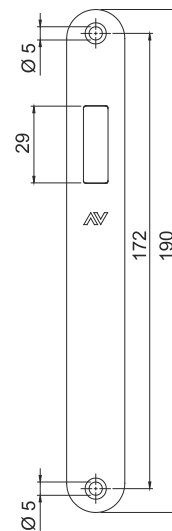
# Autó 407

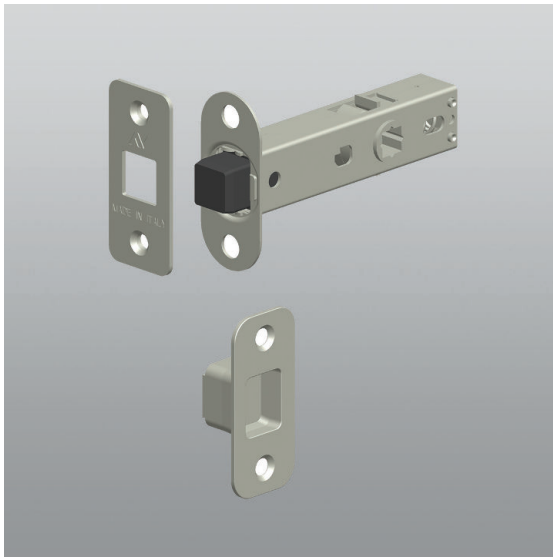


4232.3/19BR

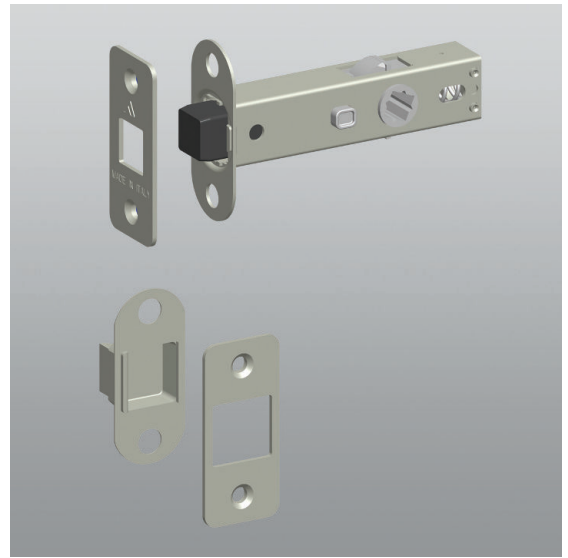


4232.3/19BQ





**4233.6/6YCN**



**4233.6/6YCS**

**code**

4233.6/6YCN

**description**

Lock with magnetic latch, body and front plate in galvanized steel. Backset of 60 mm. Front plate height of 60 mm.

4233.6/6YCS

Lock with magnetic latch, body and front plate in galvanized steel. Backset of 60 mm. Front plate height of 60 mm, centre distance block of 17.5 mm.

**finishes pcs.**

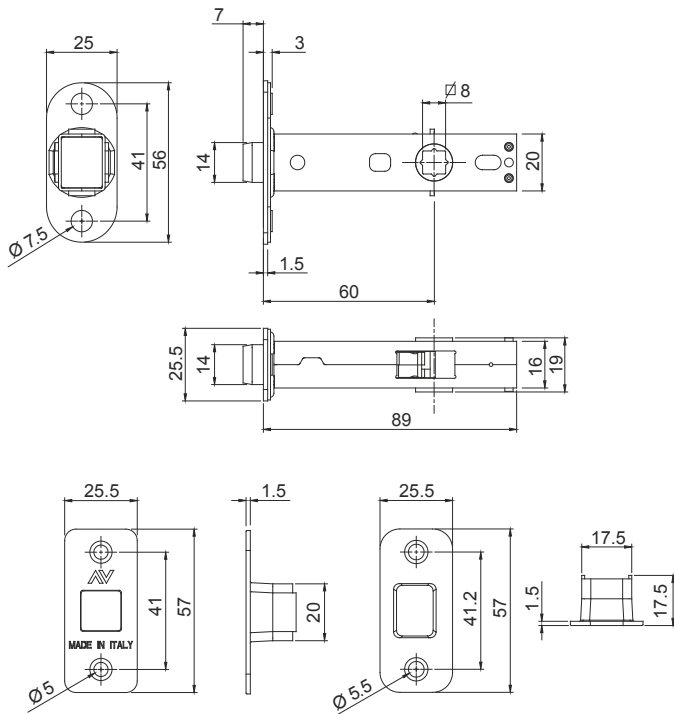
CO, CS, OL 50

CO, CS, OL 50

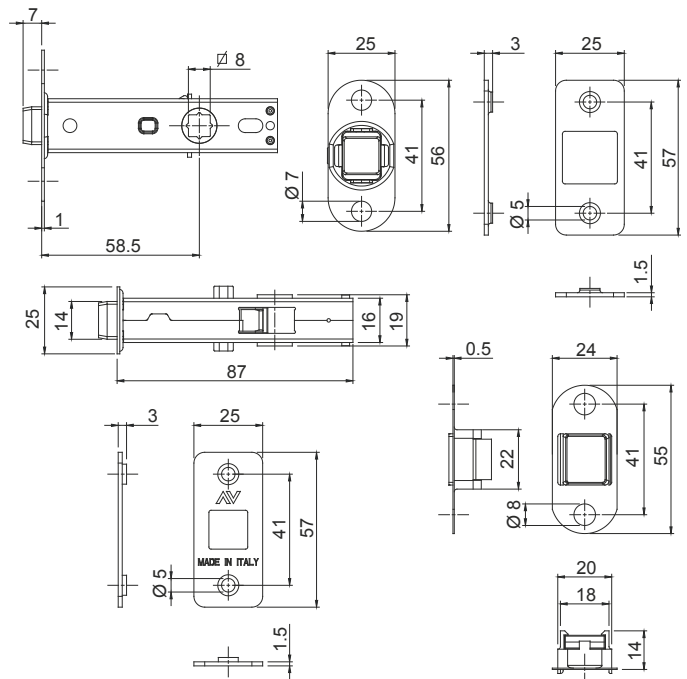
**Door locks**

408

**Autó**

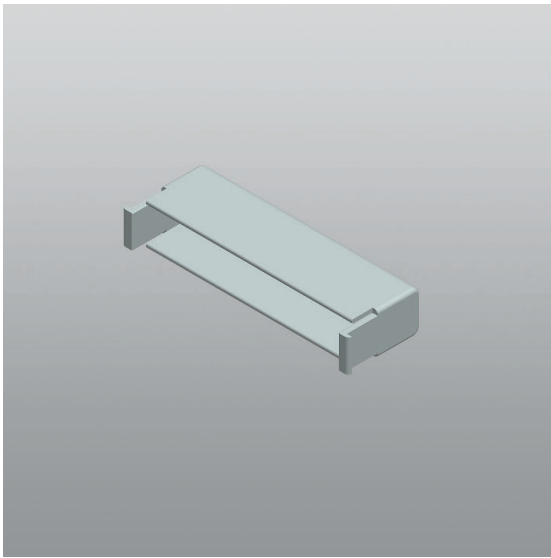


4233.6/6YCN

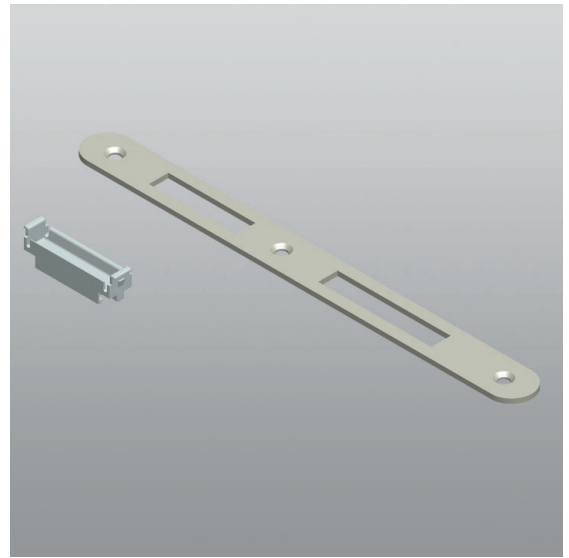


4233.6/6YCS





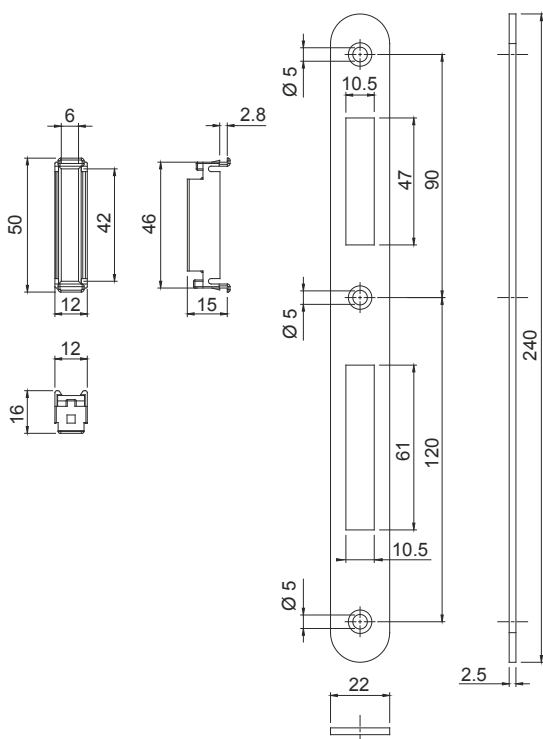
**4230.720**



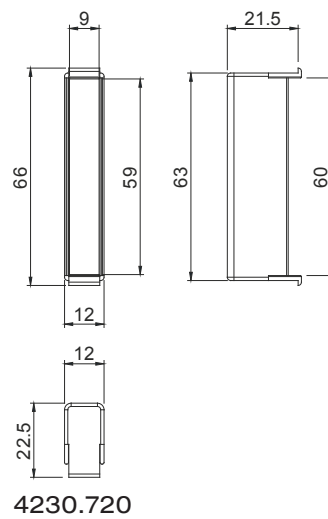
**4230.700**

code	description	finishes	pcs.
4230.700	Kit including galvanized steel counterplate and nylon magnetic pocket. To use with locks art. 4230.	CO, CS, OL	50
4230.720	Nylon pocket for bolt. To use with the counterplate art. 4230.700.	.79	50

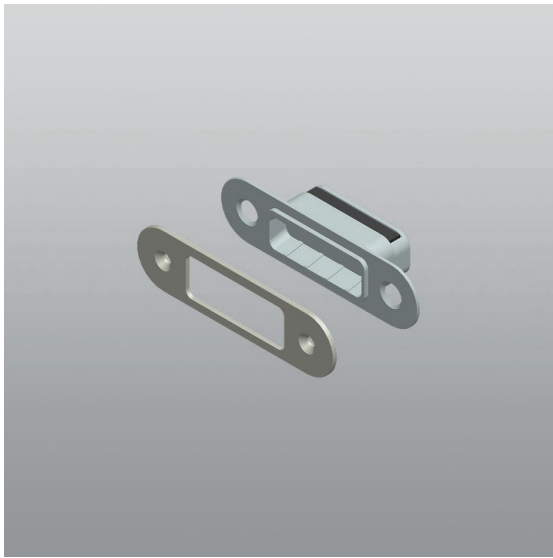
## Door locks



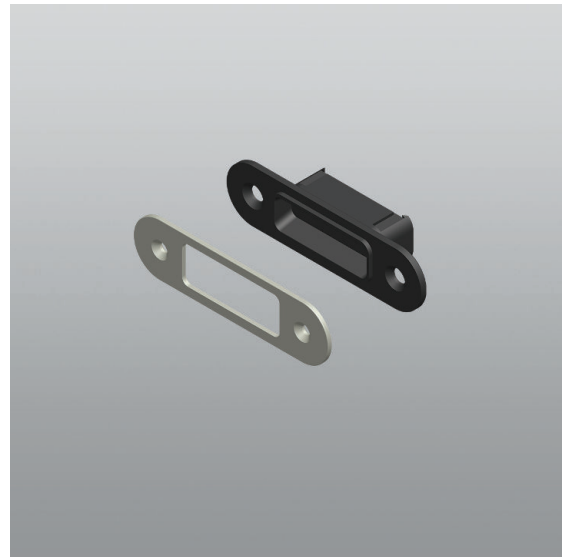
4230.700



4230.720



**4231.700**

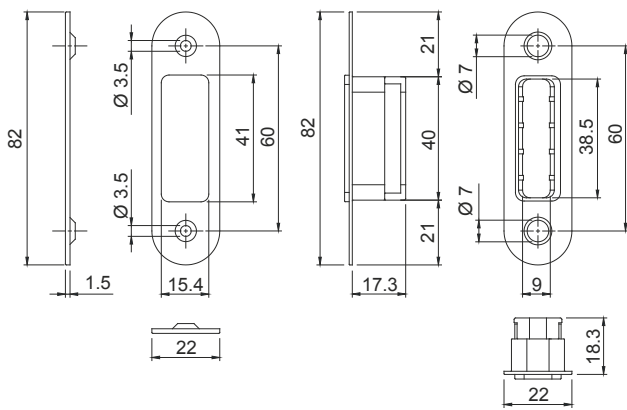


**4232.800**

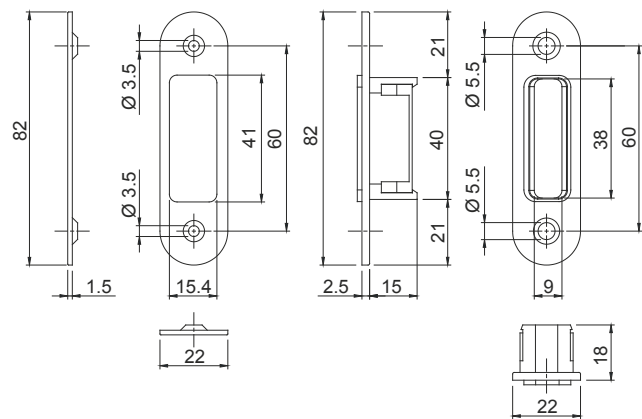
code	description	finishes	pcs.
4231.700	Kit including galvanized steel counterplate and nylon internal pocket. To use with locks art. 4231.	CO, CS, OL	50
4232.800	Kit including galvanized steel counterplate and nylon internal magnetic pocket. To use with locks art. 4232.	CO, CS, OL	50

## Door locks

410



4231.700



4232.800