

ARIANNA



NEW RANGE OF HANDLES

New design with strong shapes
Complete range
Long-lasting durability
Sturdy and fluid



ARIANNA.



BEAUTY WITHIN REACH

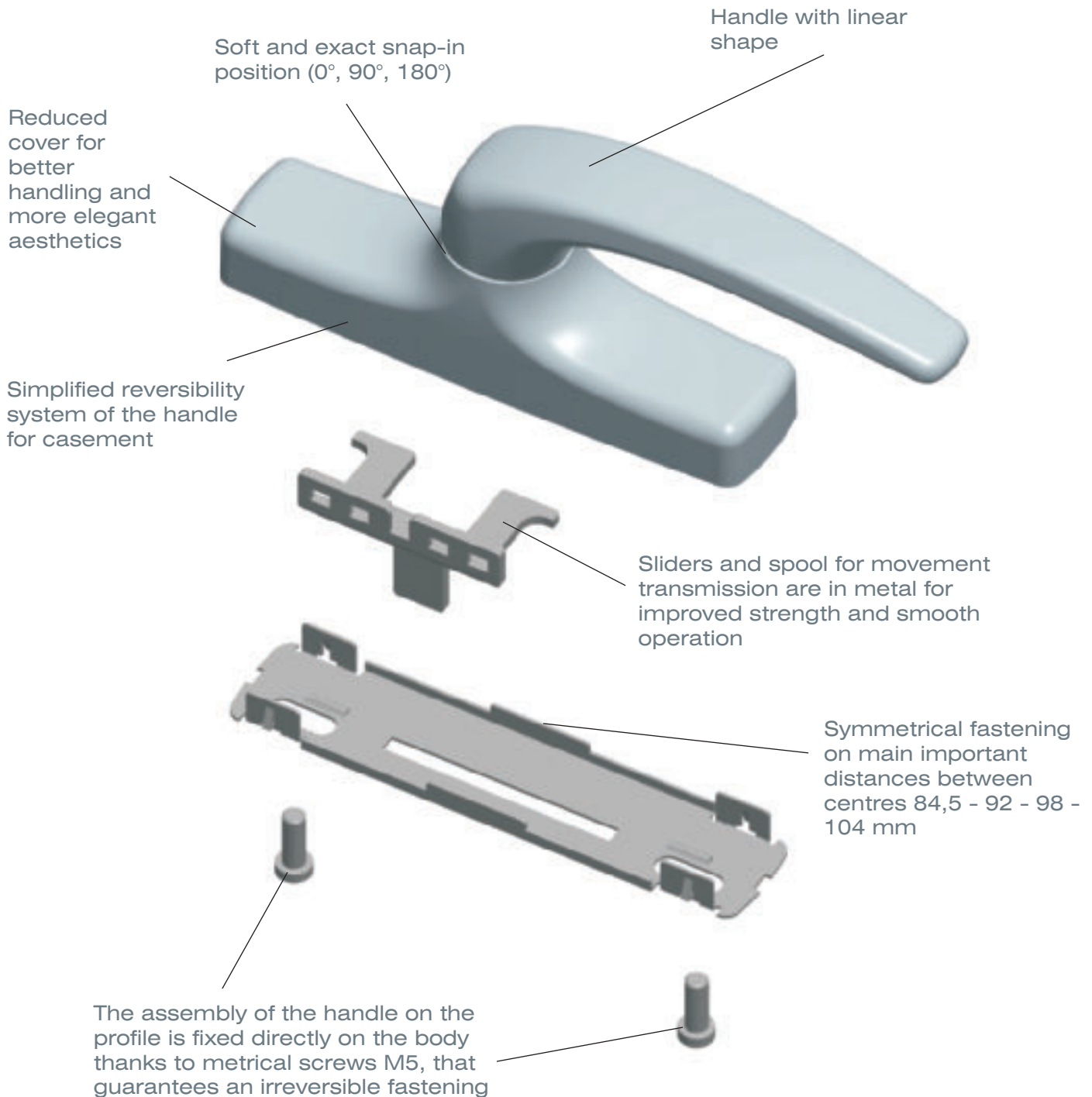
If today's market demands stronger shapes, more aggressive lines, and a more innovative look-and-feel, Savio is prompt to reply with its ARIANNA range of handles, cremone bolts window handles: reliable, safe, easy to install, handy to grasp, sturdy.

New ARIANNA range: handle, cremone bolt for shutter and for tilt-and-turn, window handles for all applications.

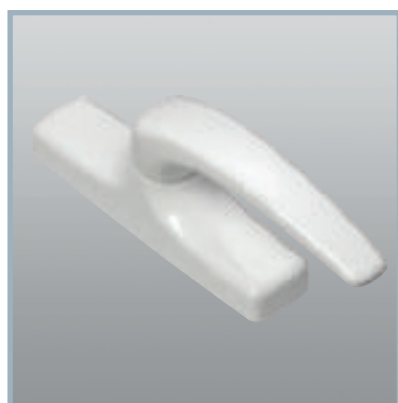
Perfect closing thanks to the 19-millimetre (tilt-and-turn) and 15 millimetre (shutter) stroke.

ARIANNA is available in multiple finishes. One even more beautiful than the next.

ARIANNA's new design updates and improves the same traditional pluses offered by MANON: reliability, safety and easy assembly, in addition to elegance and sturdiness.



Handle range for casement opening and tilt and turn gearing

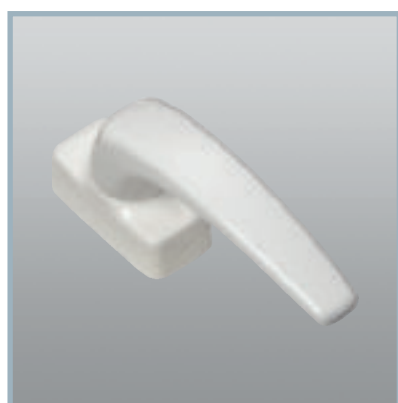


Article	Description	Pcs.	Finishes
865.1	ARIANNA Handle for casement in zamak, dist. between centres 84.5-98 mm, 2 socket head cap screws M5x14 in stainless steel. PVD X, PVD H finishes packaging 5 pcs.	20	1013, 1015, 8017, 8019, 9001, 9005, 9010, B.SA, BL10, BR5, BR801, GR217, GREY, PVD H, PVD X, SILV
865.2	ARIANNA Like 865.1 but centre distance of 92-104 mm.	20	
868.1	ARIANNA Handle for tilt and turn in zamak, dist. between centres 84.5-98 mm, 2 socket head cap screws M5x14 in stainless steel.	5	
868.2	ARIANNA Like 868.1 but centre distance of 92-104 mm.	5	



Article	Description	Pcs.	Finishes
865.753	ARIANNA Handle for casement opening in zamak, with safety cylinder (same keys), dist. between centres 84.5-98 mm, 2 socket head cap screws M5x14 in stainless steel. PVD X, PVD H finishes pack. 5 pcs.	10	1013, 1015, 8017, 8019, 9001, 9005, 9010, B.SA, BL10, BR5, BR801, GR217, GREY, PVD H, PVD X, SILV
865.754	ARIANNA Like 865.753 but centre distance of 92-104 mm.	10	
868.753	ARIANNA Like 865.753 but for tilt and turn gearing.	5	
868.754	ARIANNA Like 868.753 but centre distance of 92-104 mm.	5	

Double and single handle range



Article	Description	Pcs.	Finishes
866.3/7	ARIANNA Handle with handle in zamak, distance between centres of 43 mm, 7 mm square spindle with a projecting part of 24.5 mm and 2 cap screws M5x35 in galvanized steel.	5	1013, 8019, 9005, 9010, BL10, BR5, C, GR217, PVD H, PVD X, SILV
866.4/7	ARIANNA Handle with handle in zamak, distance between centres of 43 mm, 7 mm square spindle with a projecting part of 52 mm and 2 cap screws M5x60 in galvanized steel.	5	

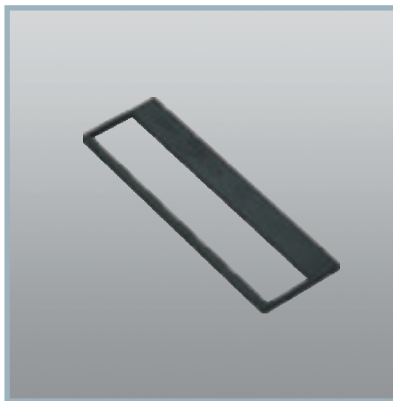


Article	Description	Pcs.	Finishes
866.31	ARIANNA Non-handed double door handle in zamak, with pre-assembled return spring, 8x120 square spindle and 4 cap screws Ø 4,2x19 in galvanized steel (PVD H and PVD X finishes 4 pcs. each box).	10	1013, 8019, 9005, 9010, BL10, BR5, C, GR217, PVD H, PVD X, SILV

Mono and bi-directional gearbox range



Article	Description	Pcs.	Finishes
1200/7	MONO Mono directional gearbox with 8 mm backset for tilt and turn gearing, in black galvanized zamak, 7 mm square hole, nylon bushings Ø 6-Ø 8 mm.	5	



Article	Description	Pcs.	Finishes
1200.801	2 mm nylon spacer (to combine with art. 1200/1201 for application on R 40-NEW TEC profiles).	40	



Article	Description	Pcs.	Finishes
1201/7	DUO Bi-directional movement mechanism for casement opening, with 8 mm backset, in black galvanized zamak, 7 mm square hole, nylon bushings Ø 6-Ø 8 mm.	20	



Article	Description	Pcs.	Finishes
1202/7	Bi-directional movement with 22 mm backset made of white galvanized zamak, 7 mm square hole, 2 nylon bushings Ø 6-Ø 8 mm.	20	

Mono and bi-directional gearbox range



Article	Description	Pcs.	Finishes
1203/7	MONO Mono directional gearbox with 16 mm backset for tilt and turn gearing, in black galvanized zamak, 7 mm square hole, nylon bushings Ø 6-Ø 8 mm.	5	



Article	Description	Pcs.	Finishes
1204/7	DUO Bi-directional movement mechanism with 16 mm backset for casement opening in black galvanized zamak, 7 mm square hole, nylon bushings Ø 6-Ø 8 mm.	10	

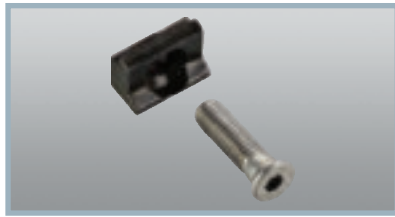


Article	Description	Pcs.	Finishes
1210/7	MONO Mono directional movement mechanism for RIBANTA 5 with 14,5 mm backset, in white galvanized zamak, 7 mm square hole, nylon bushings Ø 6-Ø 8 mm.	5	

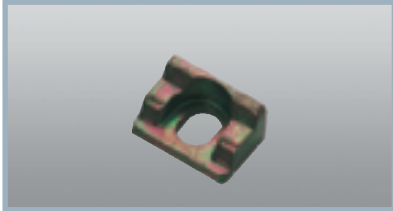


Article	Description	Pcs.	Finishes
1211/7	DUO Bi-directional movement mechanism for casement opening, with 14,5 mm backset, in white galvanized zamak, 7 mm square hole, nylon bushings Ø 6-Ø 8 mm.	20	

Handle accessories



Article	Description	Pcs.	Finishes
865.801	Handle reinforcement plate in black galvanized zamak, 1 countersunk head screw M5X18 in stainless steel.	200	



Article	Description	Pcs.	Finishes
870.802	Stiffening snap in galvanized zamak for Eurogrooves profiles and NC International.	200	
870.802W	Like 870.802 but in white galvanized zamak.	200	



Article	Description	Pcs.	Finishes
870.803	Stiffening snap in die-cast metal for profiles "R 40/50 and NEWTEC".	200	



Article	Description	Pcs.	Finishes
874.804	Escutcheon in die-cast metal for shaped cylinder, 2 cap screws Ø 3,5x13 in galvanized steel.	20	1013, 1015, 10135, 7047, 8017, 8019, 9001, 9005, 9010, 9016, B.SA, BL10, BR5, BW21, C, GR217, GREY, PVD H, PVD X, SILV, WT005



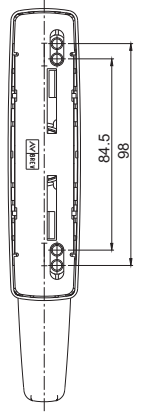
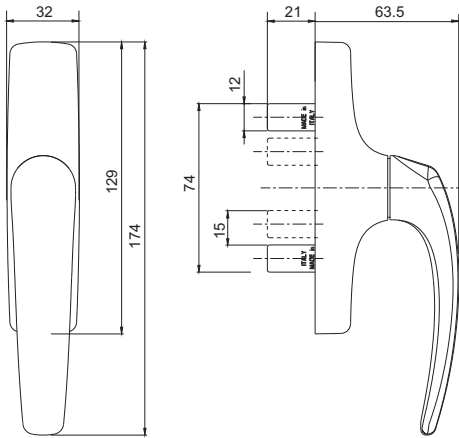
Article	Description	Pcs.	Finishes
874.897	Fixing Kit for handles including: 2 screws M5x124 and 2 square nuts M5 in white galvanized steel.	40	



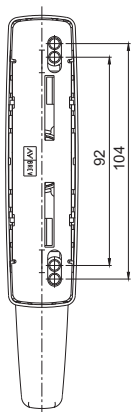
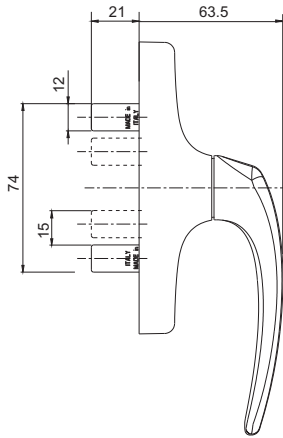
Article	Description	Pcs.	Finishes
874.898	Square spindle 8x160 mm in white galvanized steel for door with thickness from 55 to 100 mm.	50	
874.899	Square spindle 8x140 mm in galvanized steel for door with thickness from 55 to 70 mm.	50	

Handle range for casement opening and tilt and turn gearing

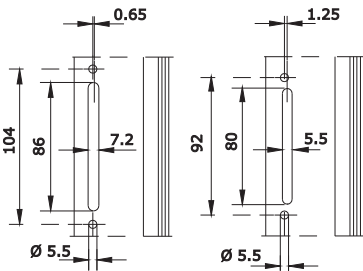
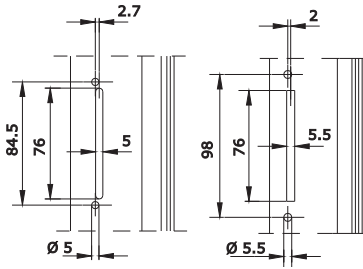
865.1 - 865.2



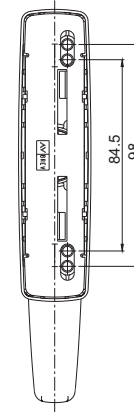
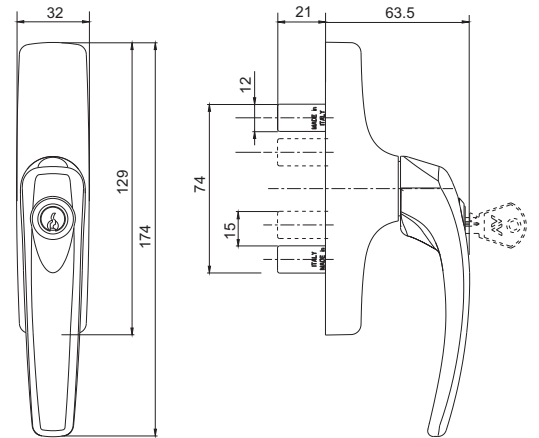
865.1



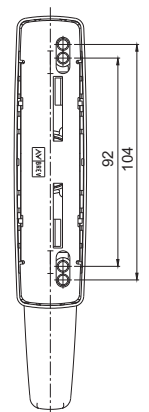
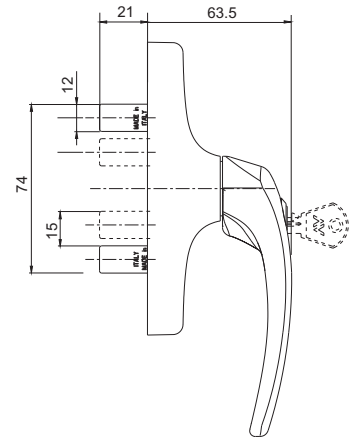
865.2



865.753 - 865.754

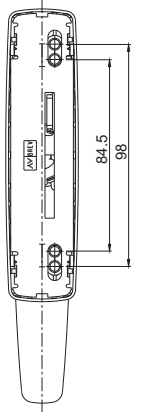
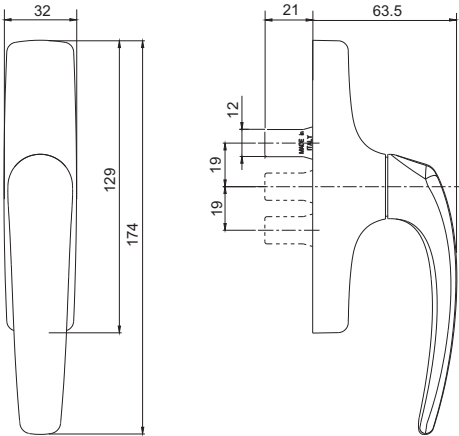


865.753

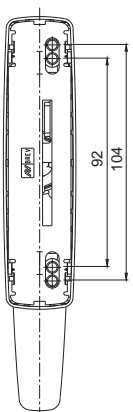
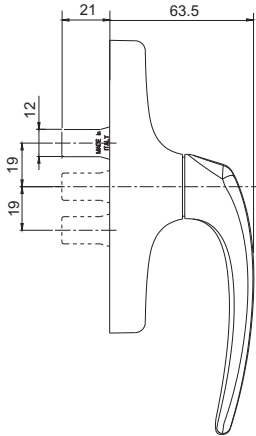


865.754

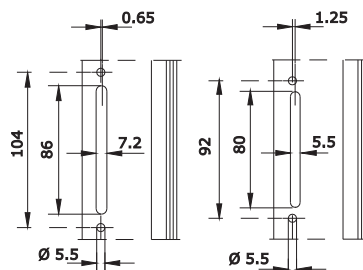
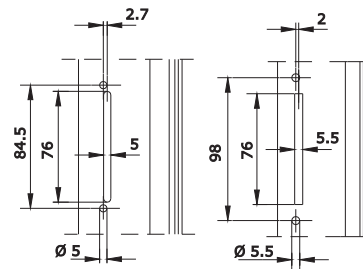
868.1 - 868.2



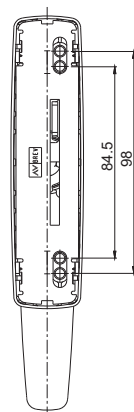
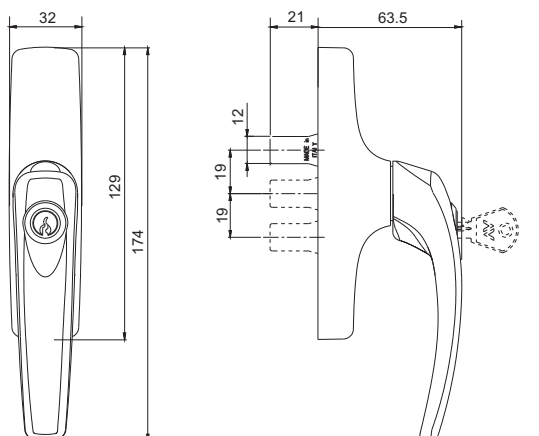
868.1



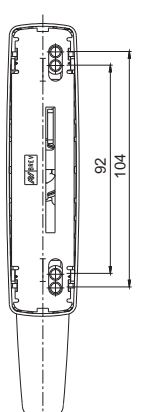
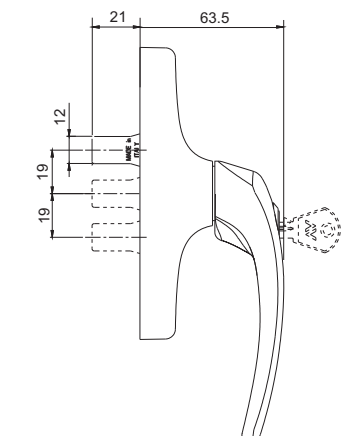
868.2



868.753 - 868.754



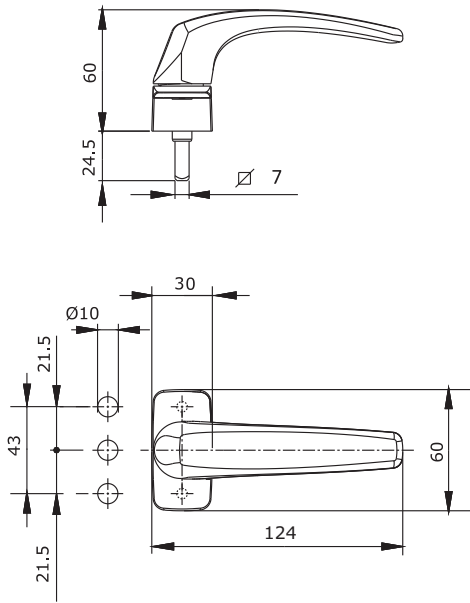
868.753



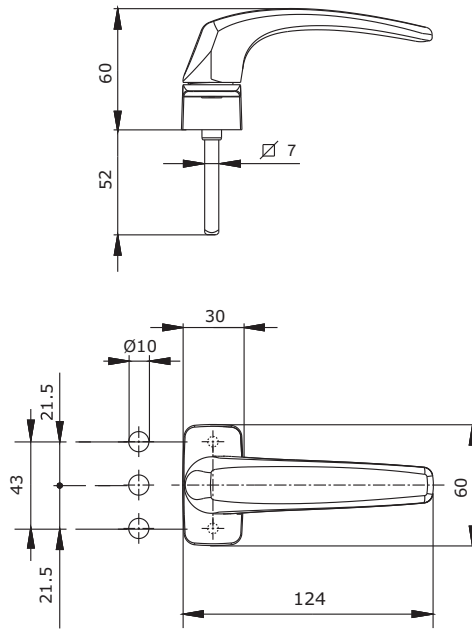
868.754

Double and single handle range

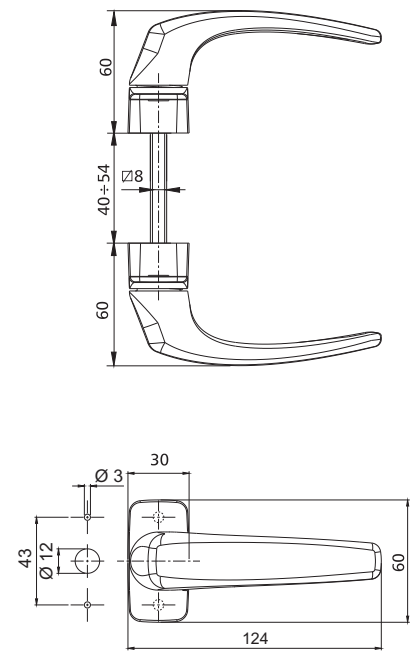
866.3/7



866.4/7

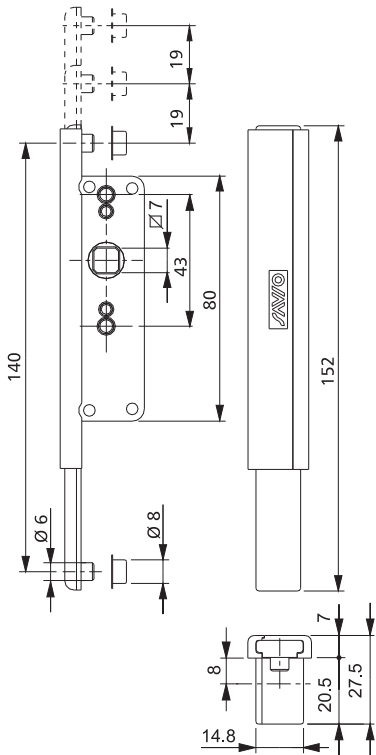


866.31

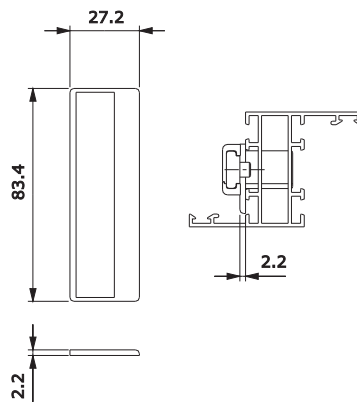


Mono and bi-directional gearbox range

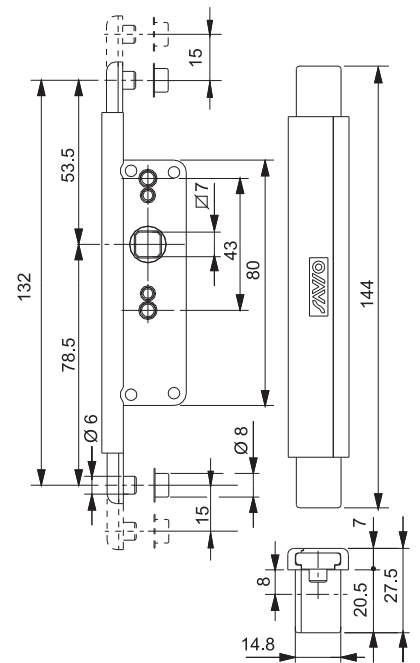
1200/7



1200.801

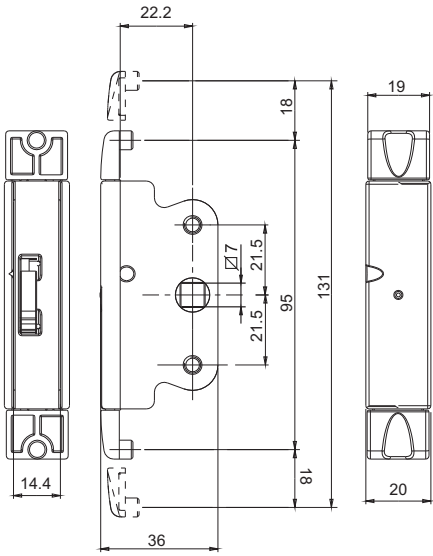


1201/7

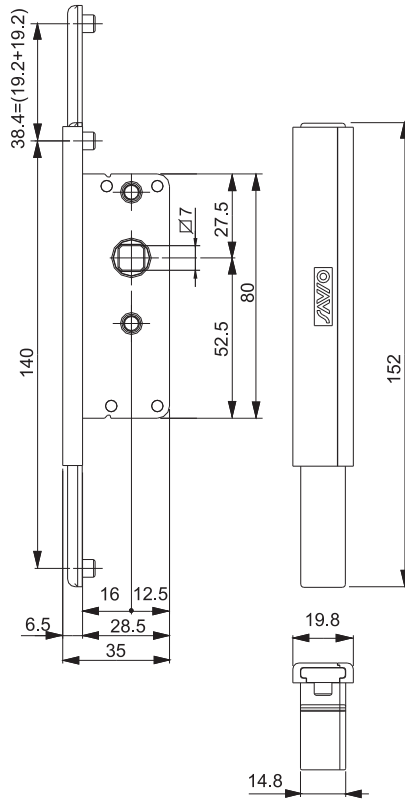


Mono and bi-directional gearbox range

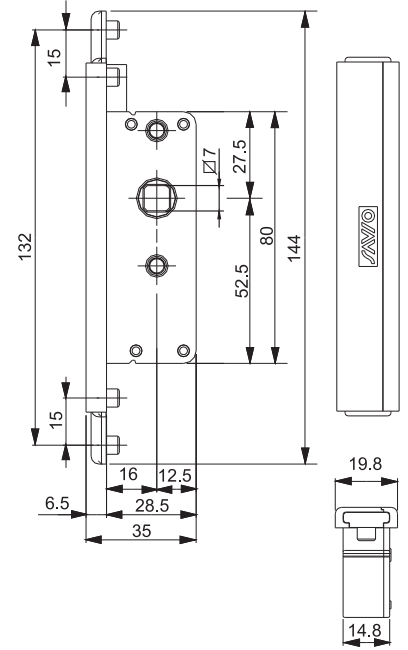
1202/7



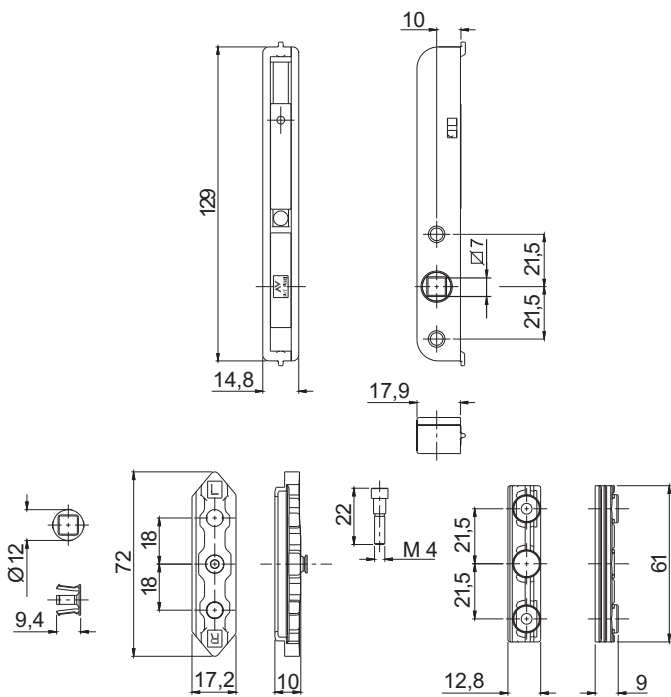
1203/7



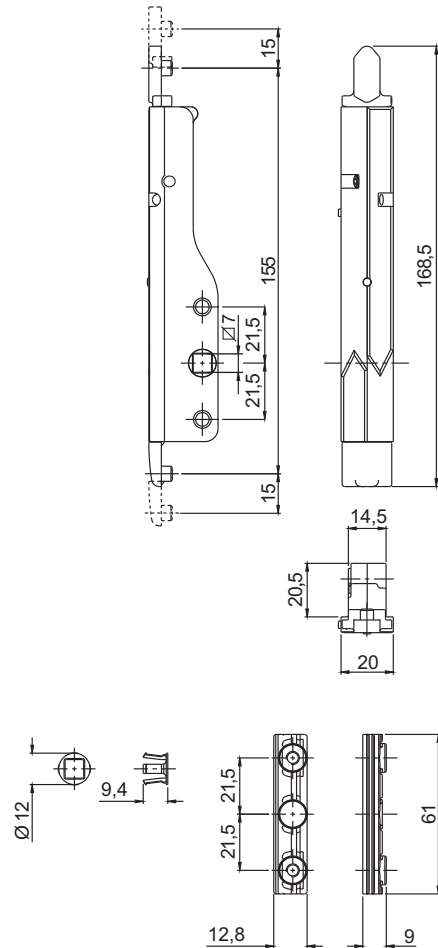
1204/7



1210/7

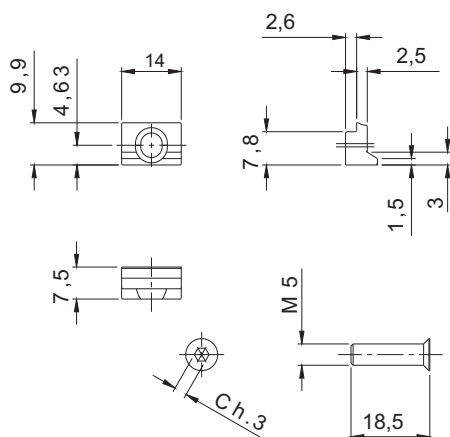


1211/7

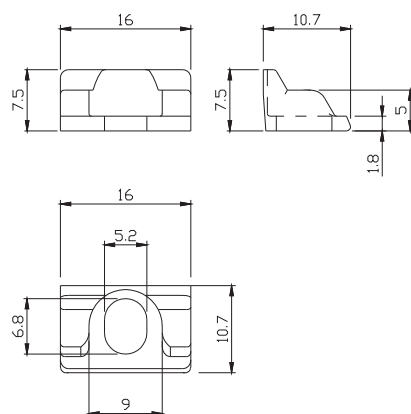


Handle accessories

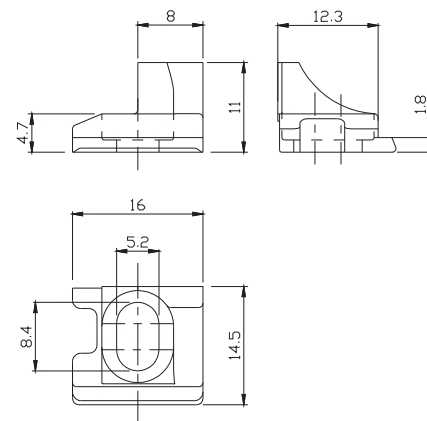
865.801



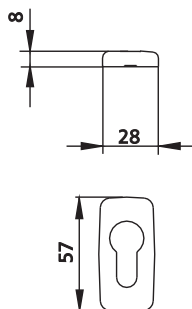
870.802 - 870.802W



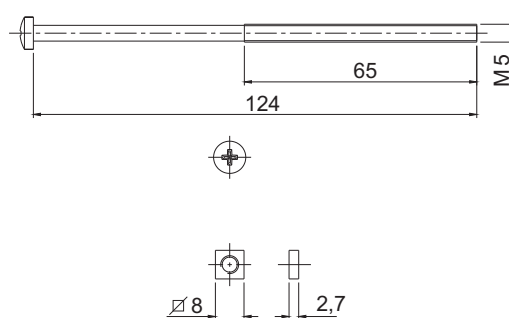
870.803



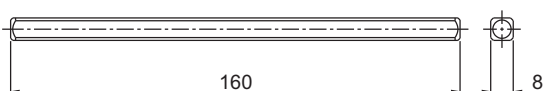
874.804



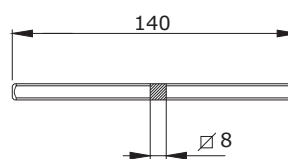
874.897



874.898



874.899



Savio S.p.A.

Via Torino, 25 (s.s. 25) - 10050 Chiusa S. Michele (TO)

tel. +39 011 964 3464 - fax +39 011 964 3474

www.savio.it - export@savio.it