


BRUNNELLESCHI PANIC BAR



PANIC BAR

New flat latch
2,000,000 tested cycles on a 300 kg door



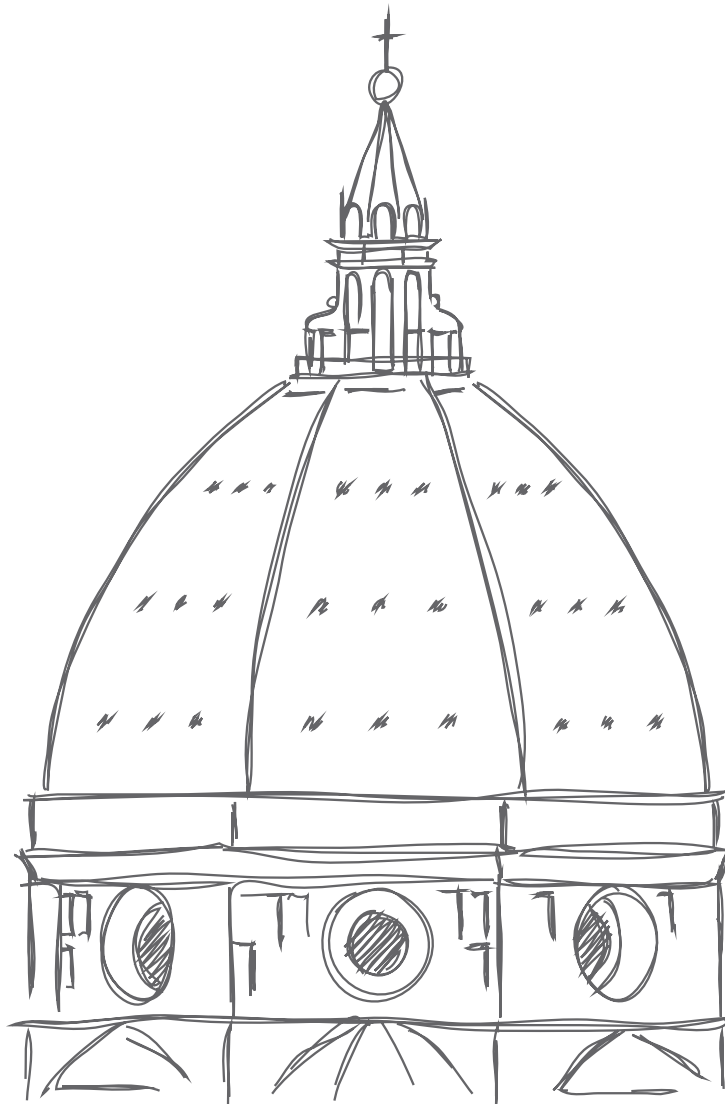
You can recognize a Savio interior by the details that provide security

Double leaf.

Flat latch: the only solution that completely eliminates any jamming during the opening phase when using two leaves. Moreover, the manoeuvre strain is extremely reduced thanks to the insert in self-lubricating nylon.



Designed to last.



Anti-bacteria security

The security Savio Brunelleschi offers also extends to hygiene thanks to anti-bacterial treatment with the highest quality paints, essential in public places such as schools, hospitals, offices.

To offer the best currently available in this field, Savio has chosen Biocote®, an international leader in anti-microbial and anti-bacterial technology.

New Brunelleschi Panic bar. Over two million cycles.

Beyond the certified scope

Savio Brunelleschi is tested with up to 200,000 cycles (EN 1125:2008).

The test which will officially mean exceeding 2 million cycles, a ceiling that Brunelleschi has already amply exceeded in the tests carried out internally, is taking place in the CETIM Laboratories.

Functional and discreet design

The new Brunelleschi panic bar features a streamlined and compact design that makes it attractive and discreet at the same time.

Opening security: double leaf

Flat sliding latch: the only solution that completely eliminates any jamming during the opening phase when using two leaves. Moreover, the manoeuvre strain is extremely reduced thanks to the insert in self-lubricating nylon.

Anti-burglar security

Brunelleschi was designed to be sturdy but Savio wanted to add extra security: the special shape of the latch, which offers greater resistance against burglary attempts.

Quick and easy replacement of the cylinder

Thanks to Brunelleschi, you can replace the cylinder without having to disassemble the internal part of the panic bar. An innovation that is very useful in the case of solutions with master key or other special organization chart solution. The replacement is so simple that even the client can do it.

Easy grasp geometry

Brunelleschi was designed with a special geometry that gives an easy grasp of the bar during the closing of the door.



Brunelleschi
panic bar
We push safety.

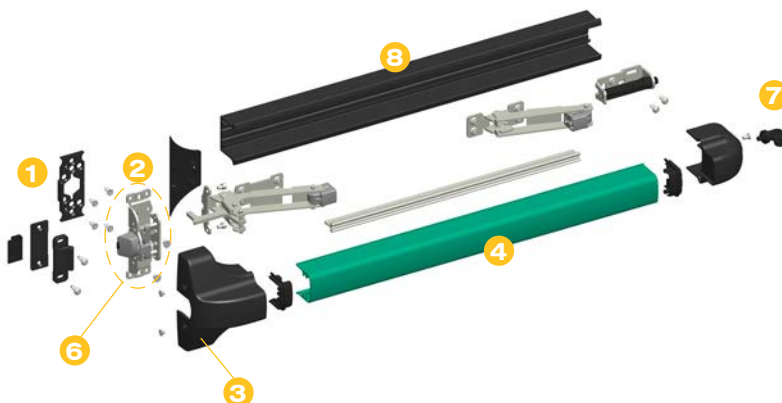
SAVIO
Open mind for closing systems.

BRUNELLESCHI panic push bar



FIRST YOU INSTALL IT,
THEN ... YOU FORGET IT

2,000,000 tested cycles:
10 times the maximum
number required by
applicable regulations!

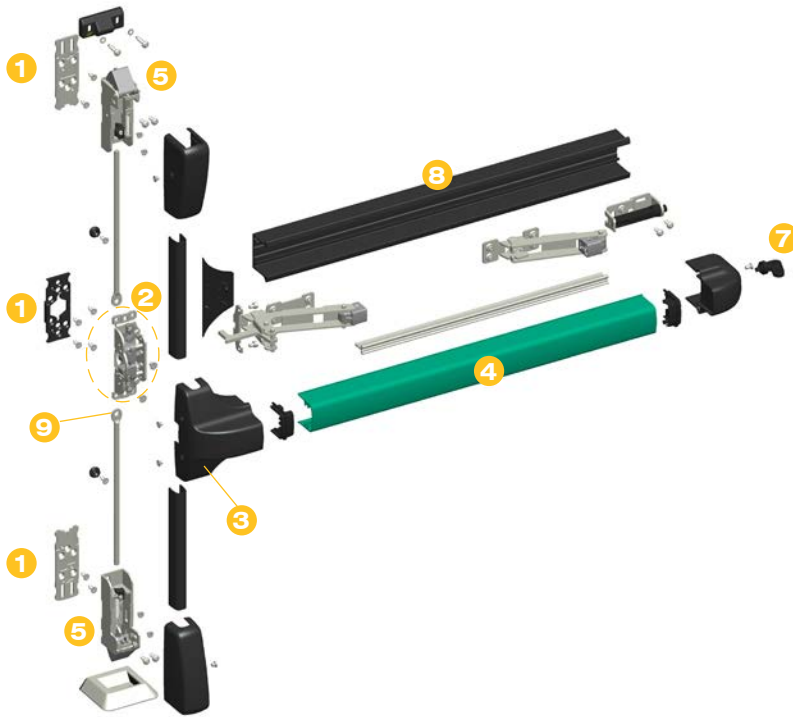


6110.1/840

Horizontal, non-handed
panic bar with 1 closing point

6110.2/840

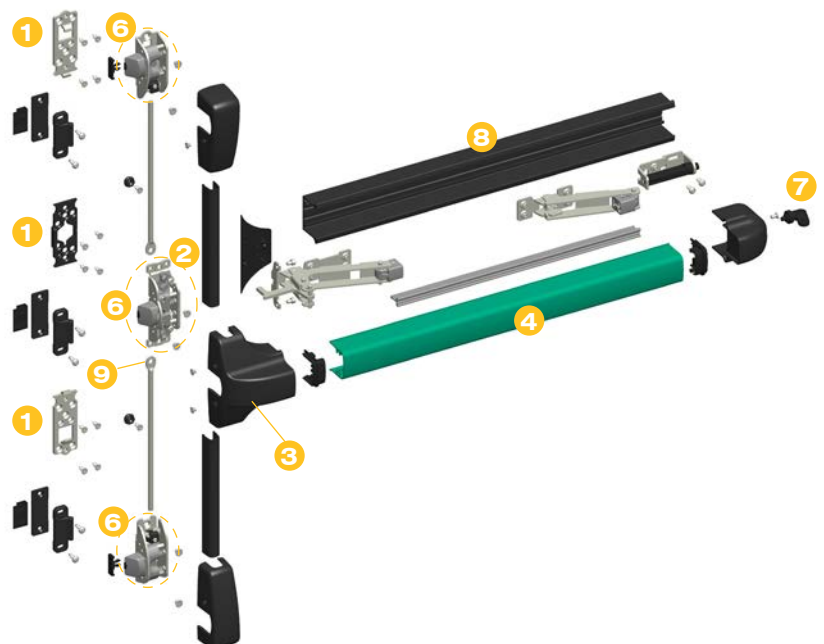
Vertical, non-handed
panic bar with 2 closing points



- 1 All supports and latches are screwed onto steel counterplates (which can also be welded) for easy, solid and fast fixing.
- 2 Completely non-handed mechanism.
- 3 Reduced overall dimensions (38.5 mm) for assembly to standard profiles too.
- 4 BioCote® anti-bacterial protections with silver ions.
- 5 Adjustable high and low latches, with anti-burglar device
- 6 Lateral latches (high, low and central) flat and sliding
- 7 Latch retainer device standard
- 8 Base profile with special shape for optimum grasping of bar
- 9 Simplified rod coupling

6110.3/840

Vertical, non-handed
panic bar with side closings
and 3 closing points



Panic bar certifications

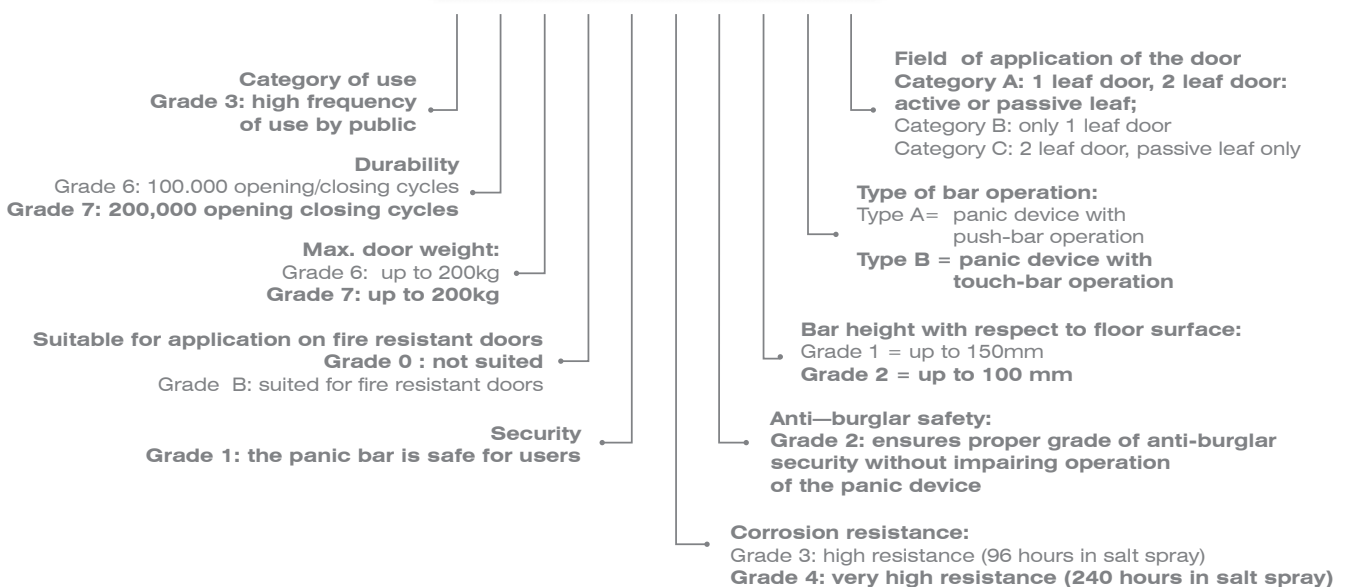
BRUNELLESCHI has been tested in up to 200,000 use cycles as laid down in standard EN 1125:2008, enabling frequent use.

Currently tests are being carried out in the CETIM laboratory which will mean officially exceeding 2 million cycles as well, something which has already been achieved in internal tests.



The various obtainable levels:
(in bold levels obtained by BRUNELLESCHI)

3 7 7 0 1 4 2 2 B A



Anti-bacterial security

The security of Savio Brunelleschi also extends to hygiene, thanks to the antibacterial treatment made with the highest quality paints, which is essential in public places such as schools, hospitals, offices.

To offer the best currently available in this field, Savio chose Biocote®, an international leader in the anti-microbial and anti-bacterial technology.

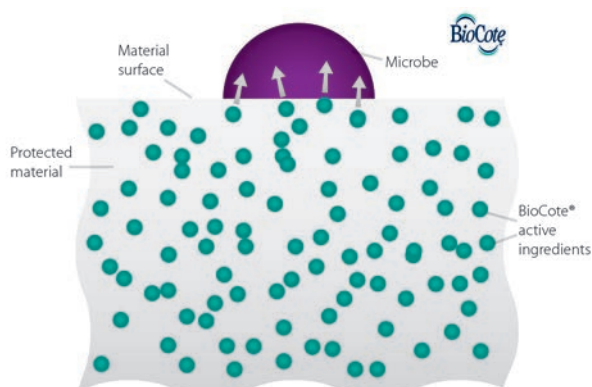


ANTIBACTERIAL PROTECTION
SILVER ION TECHNOLOGY

BioCote®, as a company that develops as patented antimicrobial / antibacterial powder coatings, was established in 1994. In just a few years BioCote® has become an international provider of cutting-edge antimicrobial solutions.

BioCote® additives are listed in the European Biocidal Products Directive and tested according to ISO standards.

BioCote® technology in action.



BioCote® technology protects a product in a lasting manner creating a surface on which microbes can not survive.

The BioCote® effect

BioCote® silver ion technology is incorporated in the products in the production phase as an additive, and is not applied as a coating after production.

Once incorporated, the antimicrobial additives offer complete continuous protection for the life of the product.

The silver ions on the surface of the material treated with the BioCote® additives bind with the microbes that come into contact with the surface and damage them irreparably, hindering the normal function of their cells, making their reproduction impossible and eventually causing death.

In a product treated with the BioCote® silver ions technology the level of bacteria is reduced by **99%**.

BioCote products are regularly validated and controlled in an independent laboratory in accordance with ISO 22196:2011.


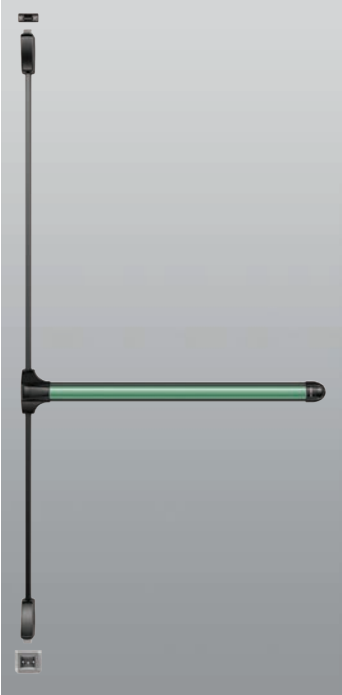
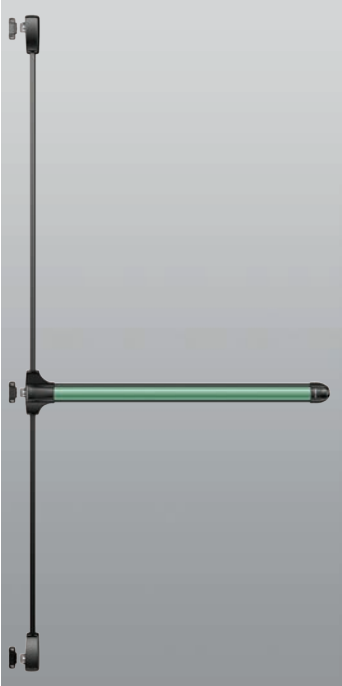
The advantages of the silver ion technology:

The most important advantage of the antimicrobial additives, apart from the protection they offer, is the fact that they **do not alter the products** in which they are integrated.

BioCote® antimicrobial additives:

- do not change the aesthetics of the products
- have no adverse effect on performance
- do not wear out and are not eliminated when rinsed
- do not exude from the surface of treated products.

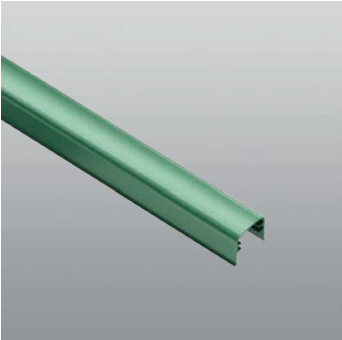



Complete kits

	Article	Description	Pcs.	Finishes
	6110.1/840	<p>BRUNELLESCHI (patented) Non-handed panic bar with 1 locking point, push-bar version, in zamak and galvanized steel. Complete with: latch in nickel plated, fastening counterplate in white galvanized steel, 698 mm bar and 1 base profile of 723 mm in painted aluminium, 1 horizontal connection rod of 573 mm, 2 keepers in painted zamak, 4 Ø 4 countersunk headscrews, 2x13, 4 Ø 4.2x13 cap screws, 2 M4x6 socket head screws, 2 M5x6 countersunk head screws, 1 M4x8 countersunk head screw and 2 M4x5 countersunk head screws, in galvanized steel.</p> <p>For doors with clear width of 437 to 860 mm and max. height of 2450 mm.</p>	1	301, 629
	6110.2/840	<p>BRUNELLESCHI (patented) Vertical non-handed panic touch bar with 2 closing points, in zamak and galvanized steel. Complete with: fastening counterplates in white galvanized steel, 698 mm bar and 1 723 mm base profile in painted aluminium, 1 573 mm horizontal connection rod, 1 top rod and 1 bottom rod in aluminium, 1 floor mounted keeper in stainless steel, 1 black nylon insert, 1 rod cover of 1449 mm and 1 rod cover of 1037 mm in painted aluminium, 2 adjustable plugs in black galvanized zamak, 1 keeper in painted steel, 10 Ø 4.2x13 countersunk headscrews, 6 Ø 4.2x13 cap screws, 2 Ø 4.2x19 cap screws, 2 M4x6 socket head screws, 2 M5x6 countersunk head screws, 1 4x8 countersunk head screw and 8 M4x5 countersunk head screws in galvanized steel.</p> <p>For doors with a clear width of 437 to 860 mm and max. height of 2450 mm.</p>	1	301, 629
	6110.3/840	<p>BRUNELLESCHI (patented) Vertical non-handed panic touch bar with 3 closing points, in zamak and galvanized steel. Complete with: latch bolt in nickel plated zamak, counterplates in white galvanized steel, 698 mm bar and 1 723 mm base profile in painted aluminium, 1 573 mm horizontal connection rod, 1 top rod and 1 bottom rod in aluminium, 1 1449 mm cover and 1 1037 mm cover in painted aluminium, 2 adjustable plugs in black galvanized zamak, 6 keepers in painted zamak, 8 Ø 4.2x13 cap screws, 14 Ø 4.2x13 countersunk head screws, 2 Ø 4x6 socket head screws, 6 M5x6 countersunk head screws, 1 M4x8 countersunk head screw in galvanized steel and 4 M4x5 countersunk head screws in galvanized steel.</p> <p>For doors with a clear width of 437 to 860 mm and max. height of 2450 mm.</p>	1	301, 629


Modular items

	Article	Description	Pcs.	Finishes
	6110.702/840	BRUNELLESCHI (patented) Kit with non-handed vertical supports with 2 closing points, without bars and without upper and lower latch bolt, in painted zamak and galvanized steel. Composed of: 698 mm bar and 1 723 mm base profile in painted aluminium, 1 573 mm horizontal connection rod in aluminium, 1 fastening counterplate, 4 Ø 4.2x13 countersunk head screws, 2 Ø 4.2x13 cap screws, 2 M4x6 socket head screws, 2 M5x6 countersunk head screws, 1 M4x8 countersunk head screw, 2 M4x5 countersunk head screws in galvanized steel. For doors with a clear width of 437 to 860 mm and max. height of 2450 mm.	1	301, 629, S31, S69
	6110.702/1200	Like 6110.702/840 but with 1058 mm bar, 893 mm connection rod and 1083 mm base profile.	1	301, 629, S31, S69
	6110.702/1500	Like 6110.702/840 but with 1358 mm bar, 1193 connection rod and 1383 mm base profile.	1	301, 629, S31, S69
	Article	Description	Pcs.	Finishes
	6110.703/840	BRUNELLESCHI (patented) Kit with non-handed vertical supports with single and/or multiple closing points, without rods and without lateral latch bolts, in painted zamak and galvanized steel. Composed of: 698 mm bar and 1 723 mm base profile in painted aluminium, 1 573 mm horizontal connection rod in aluminium, latch bolt in nickel plated zamak, 1 fastening counterplate in white galvanized steel, 2 keepers in painted zamak, 4 Ø 4.2x13 countersunk head screws, 4 Ø 4.2x13 cap screws, 2 M4x6 socket head screws, 2 M5x6 countersunk head screws, 1 M4x8 countersunk head screw, 2 M4x5 countersunk head screws in galvanized steel. For doors with a clear width of 437 to 860 mm and max. height of 2450 mm.	1	301, 629, S31, S69
	6110.703/1200	Like 6110.703/840 but with 1058 mm bar, 893 mm connection rod and 1083 mm base profile.	1	301, 629, S31, S69
	6110.703/1500	Like 6110.703/840 but with 1358 mm bar, 1193 connection rod and 1383 mm base profile.	1	301, 629, S31, S69
	Article	Description	Pcs.	Finishes
	6110.712/840	BRUNELLESCHI (patented) Kit with non-handed vertical supports with two closing points, without push bars, rods and without top and bottom latch bolts, in painted zamak and galvanized steel. Composed of: 573 mm aluminium horizontal connection rod, 1 723 mm base profile in painted aluminium, 1 723mm base profile in painted aluminium, 4 Ø 4.2x13 countersunk head screws, 2 Ø 4.2x13 cap screws, 2 M4x6 socket head screws, 2 M5x6 countersunk head screws, 1 M4x8 countersunk head screw, 2 M4x5 countersunk head screws in galvanized steel.	1	905, 910, SLV
	6110.712/1300	Like 6110.712/840 but with 1033 mm bar and 1183 mm base profile .	1	905, 910, SLV
	Article	Description	Pcs.	Finishes
	6110.713/840	BRUNELLESCHI (patented) Kit with non-handed vertical supports with two closing points, without push bars, rods and without top and bottom latch bolts, in painted zamak and galvanized steel. Composed of: 573 mm aluminium horizontal connection rod, 1 723 mm base profile in painted aluminium, 1 723 mm base profile in painted aluminium, 4 Ø 4.2x13 countersunk head screws, 2 Ø 4.2x13 cap screws, 2 M4x6 socket head screws, 2 M5x6 countersunk head screws, 1 M4x8 countersunk head screw, 2 M4x5 countersunk head screws in galvanized steel.	1	905, 910, SLV
	6110.713/1300	Like 6110.713/840 but with 1033 mm bar and 1183 mm base profile .	1	905, 910, SLV


Modular items


Image	Article	Description	Pcs.	Finishes
	6110.B/698	698 mm horizontal bar for art. 6110.712/840 and 6110.713/840, in painted aluminium. For doors with a width of 437 to 860 mm.	1	301, 629, 905, 910, SLV
	6110.B/1158	1158 mm horizontal bar for art. 6110.712/1300 and 6110.713/1300, in painted aluminium. For doors with a width of 437 to 1320 mm.	1	301, 629, 905, 910, SLV
	6010.720	Standard vertical rods: 1 upper rod and 1 lower rod in aluminium, 1 rod cover 1037 mm and 1 rod cover 1449 mm in painted aluminium. For doors up to 2450 mm high.	1	905, 910, SLV
	6010.721	Vertical rods: 1 upper rod and 1 lower rod in aluminium, 1 rod cover 1037 mm and 1 rod cover 2099 mm in painted aluminium, 1 adjustable plug in galvanised zamak, 1 countersunk head screws Ø 4.2x13 in galvanised steel. For doors from 2450 mm to 3100 mm high.	1	905, 910, SLV
	6010.730	(patented) Kit with top / bottom latch bolts in nickel plated zamak. Including: fastening counterplates in galvanised steel, 1 floor-mounted keeper in stainless steel + 1 black nylon insert, 2 adjustable plugs in galvanised zamak, 1 keeper in painted steel, 6 countersunk head screws Ø 4.2x13, 4 cap screws Ø 4.2x13, 2 cap screws Ø 4.2x19, 6 countersunk head screws M4x5 in galvanised steel.	1	905, 910, SLV
	6010.735R	(patented) RH Kit with top/side latch bolts in painted zamak and galvanised steel, nickel plated latch bolt. Including: fastening counterplates in galvanised steel, 2 adjustable plugs in galvanised zamak, 2 keepers in painted zamak, 1 keeper in painted steel, 8 countersunk head screws Ø 4.2x13, 4 cap screws Ø 4.2x13, 2 cap screws Ø 4.2x19, 4 countersunk head screws M4x5 and 2 countersunk head screws M5x6 in galvanised steel.	1	905, 910, SLV
	6010.735L	Like 6010.735R but on left.	1	905, 910, SLV


Modular items


	Article	Description	Pcs.	Finishes
	6010.740	(patented) Kit with side latch bolts in painted zamak and galvanised steel, nickel plated latch bolt. Including: fastening counterplates in galvanised steel, 2 keepers in painted zamak, 2 adjustable through-guides in galvanised zamak, 10 countersunk head screws Ø 4.2x13, 4 cap screws Ø 4.2x13, 2 countersunk head screws M4x5 and 4 countersunk head screws M5x6 in galvanised steel.	1	905, 910, SLV

External access



	Article	Description	Pcs.	Finishes
	6010.870	External access device, handle only and grip in painted zamak, square spindle, 1 M5x30 socket head screw and 2 M5x80 countersunk head screws in galvanized steel.	1	GREY, 905, 910, SLV

	Article	Description	Pcs.	Finishes
	6010.873	External access device, idle handle, in painted zamak and galvanized steel, handle grip in zamak, shaped cylinder with different key combinations, 3 nickel plated keys, squared spindle in white galvanized steel, 2 M5x80 countersunk head screws in galvanized steel	1	GREY, 905, 910, SLV
	6010.874	Like 6010.873 but with single key combination.	1	GREY, 905, 910, SLV

	Article	Description	Pcs.	Finishes
	6010.875	External access device, idle handle in painted zamak and galvanized steel, painted die-cast aluminium grip, European profile cylinder with different key combinations, 3 nickel plated keys, square spindle in white galvanized steel, 1 protection cap for transportation on site in plastic material, 1 security cap in steel, 1 M5x30 socket head cap screw and 2 M5x80 countersunk head screws in galvanized steel. Equipped with "cylinder unlocked key retention device".	1	GREY, 905, 910, SLV
	6010.877	Like 6000.875 but with single key combination.	1	GREY, 905, 910, SLV

	Article	Description	Pcs.	Finishes
	6010.876	External access device, idle handle in painted zamak and galvanized steel, painted die-cast aluminium grip, without cylinder, square spindle in galvanized steel, 1 protection cap for transportation on site in plastic material, 1 security cap in steel, 1 M5x30 socket head cap screw and 2 M5x80 countersunk head screws in galvanized steel. Equipped with "cylinder unlocked key retention device".	1	GREY, 905, 910, SLV

External access

Image	Article	Description	Pcs.	Finishes
	6000.879	External access device with reduced size handle in painted zamak and galvanized steel, painted die-cast aluminium grip, European profile cylinder with different key combinations, 3 nickel plated keys, square spindle in white galvanized steel, 1 M5x12 socket head cap screw and 2 M5x80 countersunk head screws in black galvanized steel. Equipped with "cylinder unlocked key retention device". To use with cam art. No. 6010.401.	1	905
	6000.880	Outside access device in painted zamak and galvanized steel, fixed handle with knob, European profile cylinder with different key combinations, 3 nickel plated keys, square spindle, 2 M5x80 countersunk head screws in galvanized steel. Preferably to use with 1 locking point version. To use with cam art. No. 6010.401.	1	GREY, 905, 910, SLV

It is also possible to use an alternative external access device from the BERNINI/CELLINI range art. no. 6000.870/.873/.874/.875/.876/.877 with cam art. no. 6010.401 (shown below).

Complementary accessories

Image	Article	Description	Pcs.	Finishes
	6010.401	Cam in brass to use external access devices art.no. 6000.870/.873/.874/.875/.876/.877/.879/.880 on JUVARRA panic device system.	5	
	6000.401	Cam in nickel plated brass to use external access devices art.no. 6010.870/.873/.874/.875/.876/.877 with the BERNINI and CELLINI panic device system.	5	
	6010.820	Electric strike for profiles with height rebate of 0.4 and 5 mm with cover in painted zamak, bottom plate and 4 cap screws Ø 3.9x25 in stainless steel, 4 countersunk head screws M4x8 in stainless steel, black nylon spacers. Electric feed: 12 V CA. With relay.	1	905, 910, SLV

Complementary accessories

	<p>Article</p> <p>6010.821</p>	<p>Description</p> <p>Electric strike for flush profiles cover in painted zamak, bottom plate and 4 cap screws Ø 3.9x13 in galvanized steel, 4 countersunk head screws M4x8 in stainless steel, black nylon spacers. Electric feed: 12 V CA. With relay.</p>	<p>Pcs.</p> <p>1</p>	<p>Finishes</p> <p>905, 910, SLV</p>
	<p>Article</p> <p>6010.824</p>	<p>Description</p> <p>Electric strike for profiles with height rebate of 0.4 and 5 mm with cover in painted zamak, bottom plate in galvanized steel, 4 cap screws Ø 3.9x25 in galvanized steel and 4 countersunk head screws M4x8 in stainless steel, black nylon spacers. Electric feed: 12 V CA. Without relay.</p>	<p>Pcs.</p> <p>1</p>	<p>Finishes</p> <p>905, 910, SLV</p>
	<p>Article</p> <p>6010.825</p>	<p>Description</p> <p>Electric strike for flush profiles with cover in painted zamak, bottom plate in galvanized steel, 4 cap screws Ø 3.9x13 in galvanized steel and 4 countersunk head screws M4x8 in stainless steel, black nylon spacers. Electric feed: 12 V CA. Without relay.</p>	<p>Pcs.</p> <p>1</p>	<p>Finishes</p> <p>905, 910, SLV</p>
	<p>Article</p> <p>6110.842</p>	<p>Description</p> <p>1 micro switch, 1 support in black nylon, 1 probe in black nylon, 1 cap screw Ø 2.2x13 in galvanized steel. For doors with a minimum width of 485 mm.</p>	<p>Pcs.</p> <p>5</p>	<p>Finishes</p>
	<p>Article</p> <p>6000.843</p>	<p>Description</p> <p>Adjustable through guides in galvanized zamak, 1 Ø3.9x13 countersunk head screw in galvanized steel.</p>	<p>Pcs.</p> <p>20</p>	<p>Finishes</p>

Complementary accessories

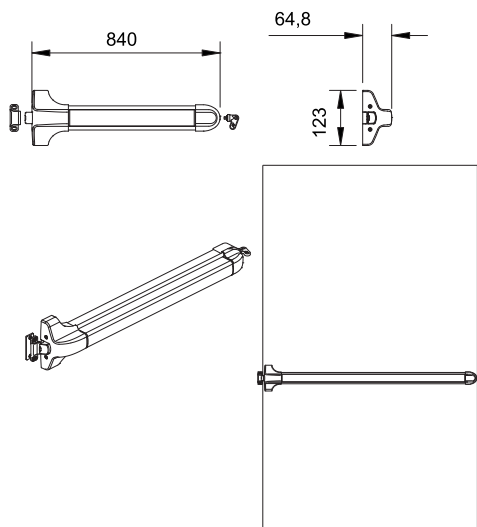
Image	Article	Description	Pcs.	Finishes
	6100.890	Sign plate for CELLINI and BRUNELLESCHI.	10	
	6000.897	Fastening kit for external access device for profiles with section up to 100 mm, 1 squared spindle of 8 mm in white galvanized steel, 2 countersunk head screws M5x110 in white galvanized steel.	20	
	6000.899	Handle rotation limiter device in galvanized Zamak. To use BERNINI and JUVARRA on CIRCEO panic system.	20	
	6000.952	Aluminium drilling jig for external access devices 6010.875/.876/.877 and 6000.875/.876/.877/.879/.880.	1	

Antibacterial finishing table

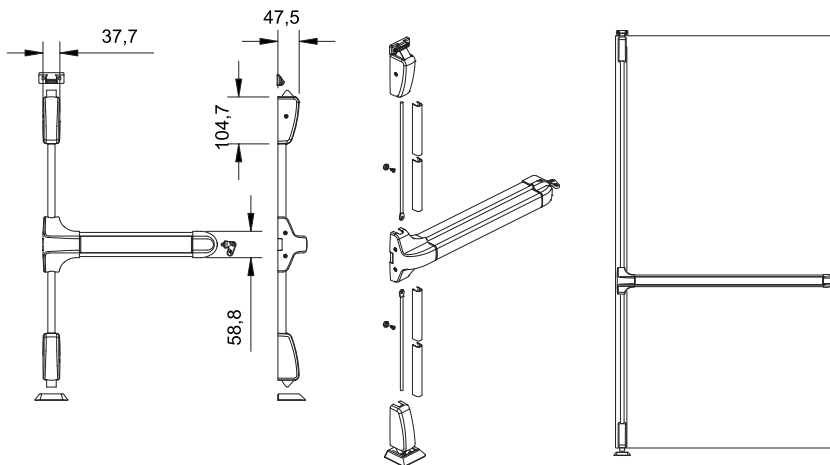
Code	Description
301	black supports, red bar
629	black supports, green bar
S31	grey supports, red bar
S69	grey supports, green bar
905	black
910	white
SLV	grey

Complete kits

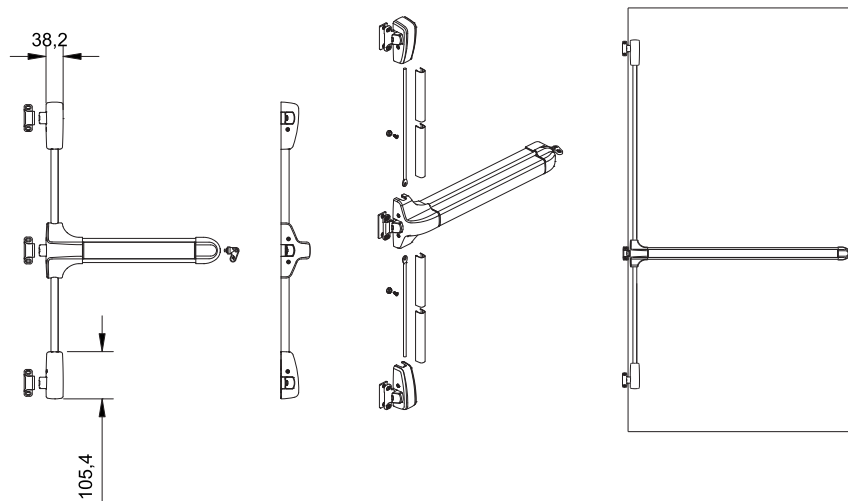
6110.1/840



6110.2/840

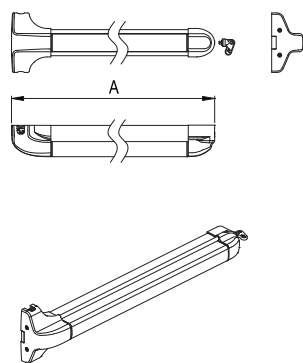


6110.3/840

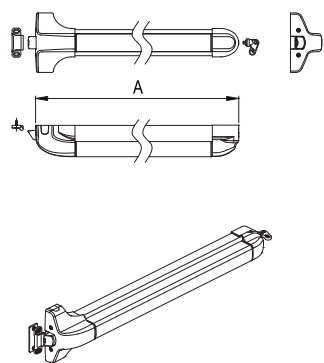


Modular items

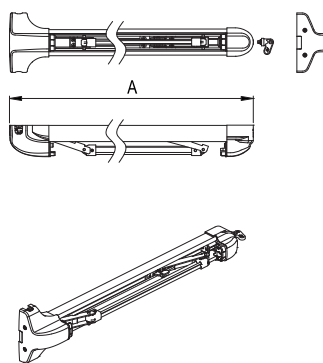
6110.702



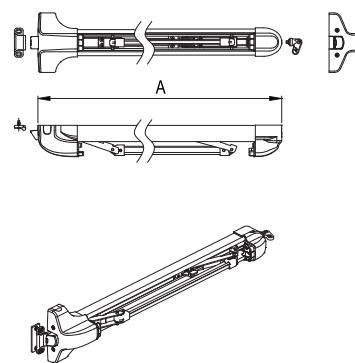
6110.703



6110.712



6110.713



Art.	A (mm)
6110.702/840	840
6110.702/1200	1200
6110.702/1500	1500

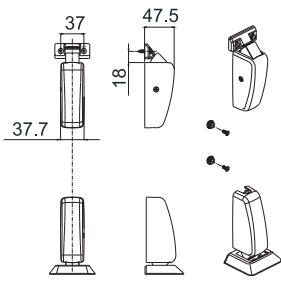
Art.	A (mm)
6110.703/840	840
6110.703/1200	1200
6110.703/1500	1500

Art.	A (mm)
6110.712/840	840
6110.712/1300	1300

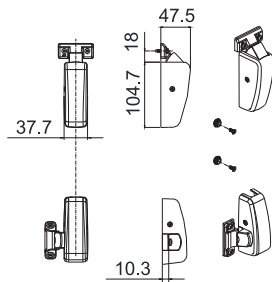
Art.	A (mm)
6110.713/840	840
6110.713/1300	1300

Modular items

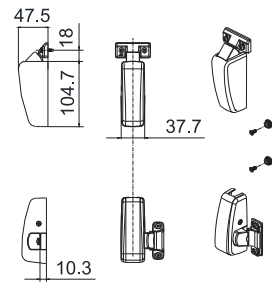
6010.730



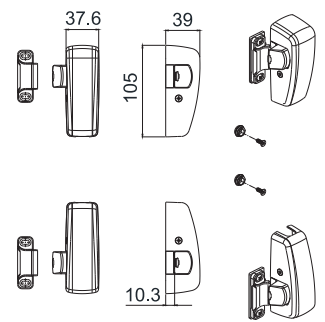
6010.735R



6010.735L

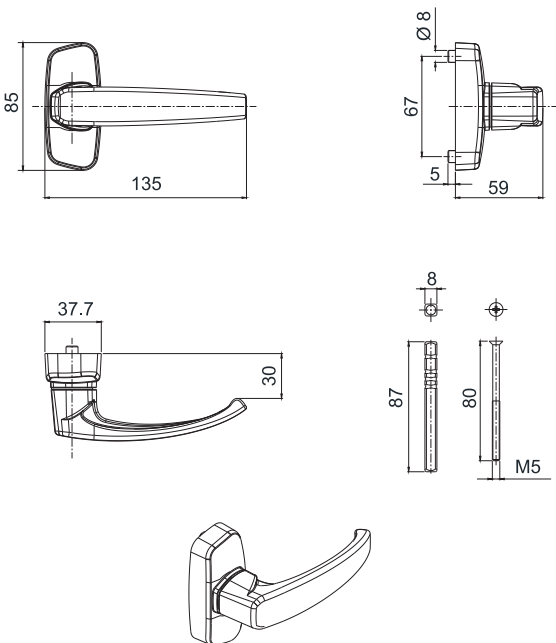


6010.740

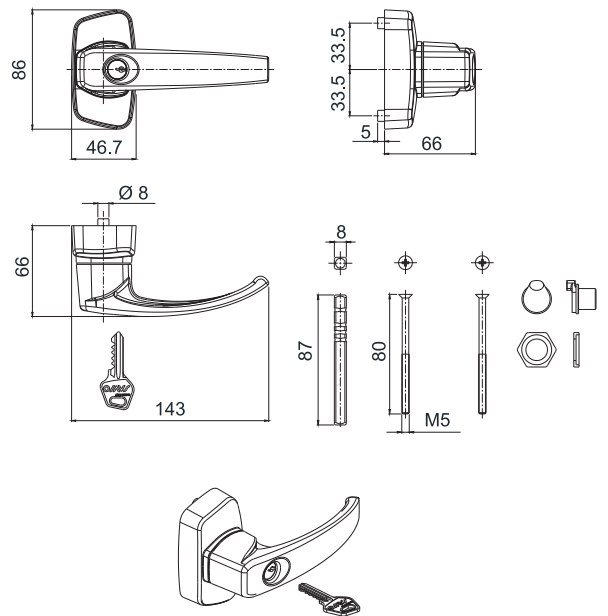


External access

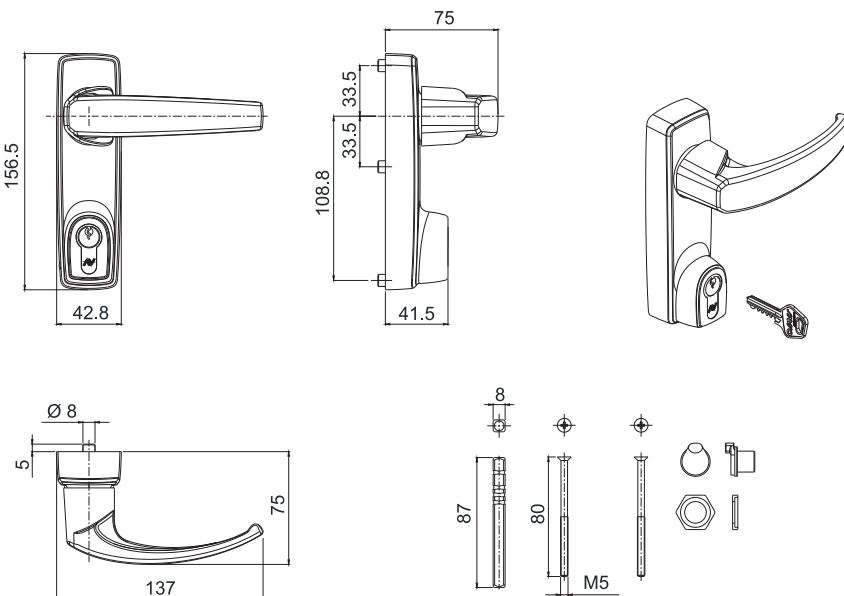
6010.870



6010.873 - 6010.874

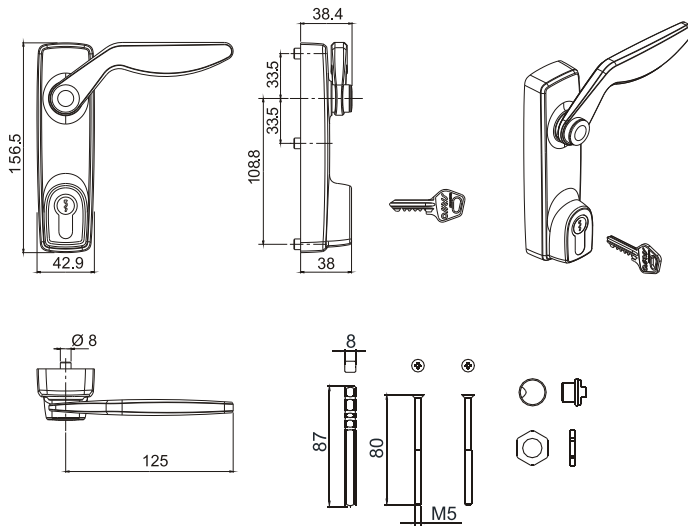


6010.875 - 6010.876 - 6010.877

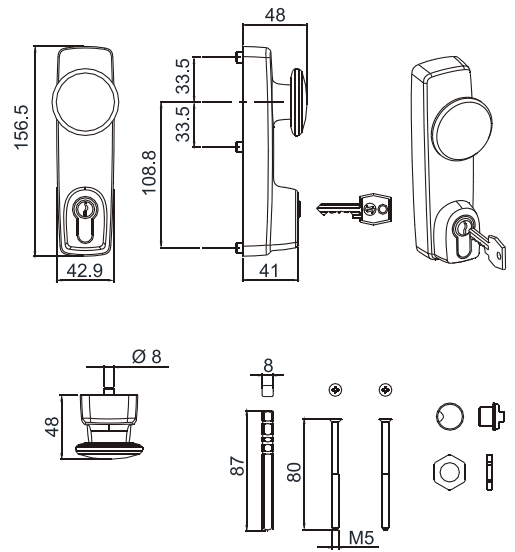


External access devices

6010.879

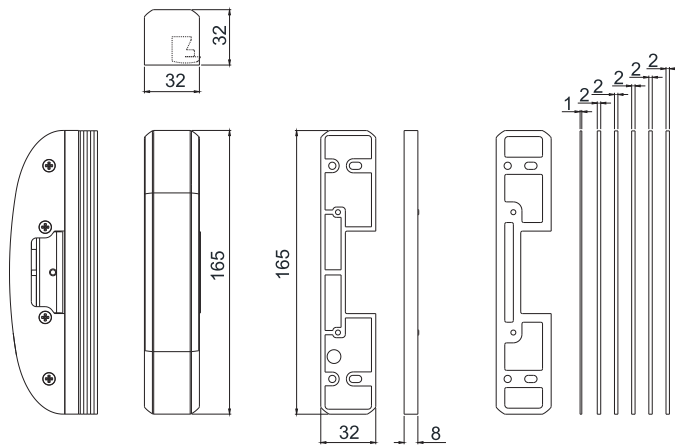


6010.880

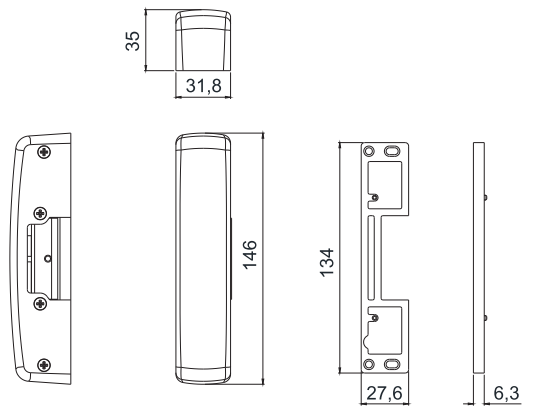


Complementary accessories

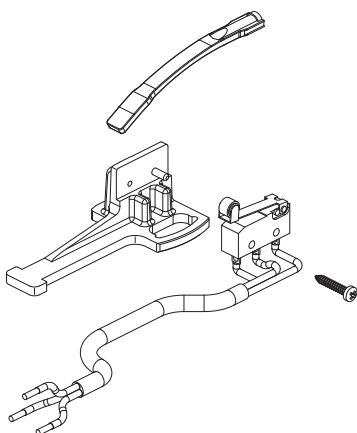
6010.820 - 6010.824



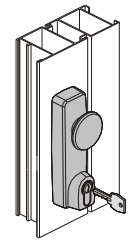
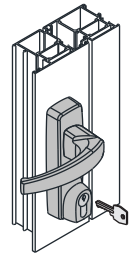
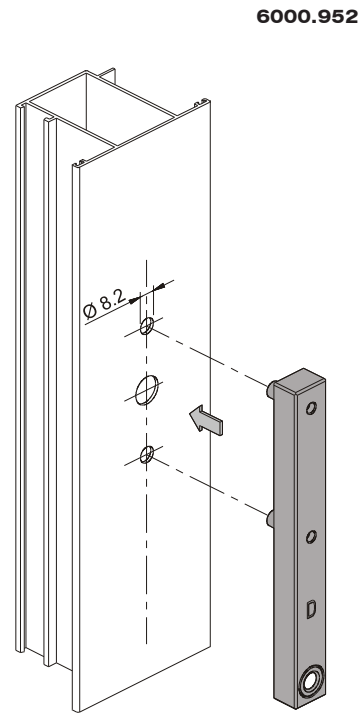
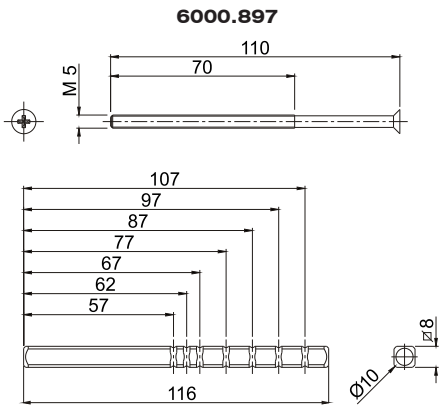
6010.820 - 6010.825



6110.842



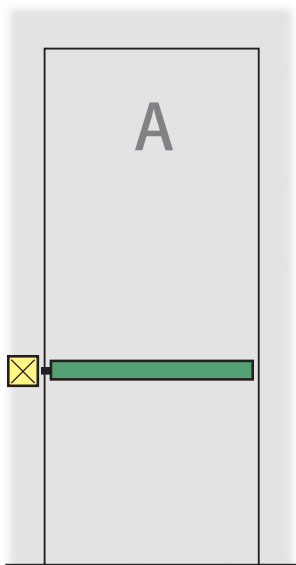
Complementary accessories



Certified application schemes for single door

Legend:

BRUNELLESCHI alternative configurations

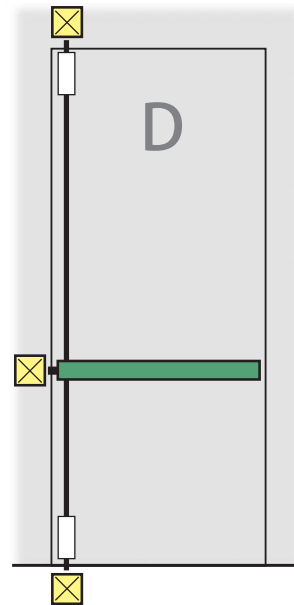


Application A:

BRUNELLESCHI
6110.1/840

6110.703

6110.713 + 6110.B

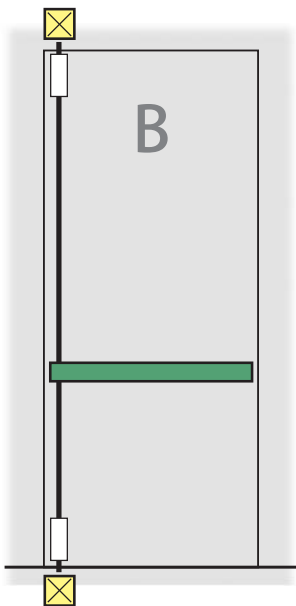


Application D:

BRUNELLESCHI

6110.703 +
6010.720/.721 +
6010.730

6110.713 + 6110.B
+ 6010.720/.721 +
6010.730

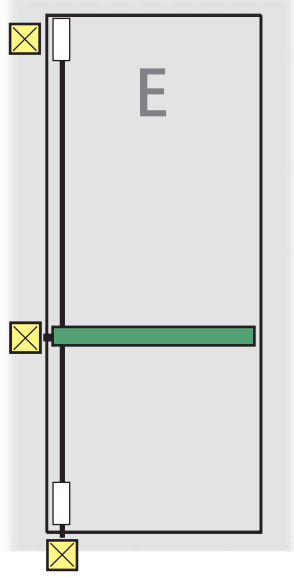


Application B:

BRUNELLESCHI
6110.2/840

6110.702 + 6010.730

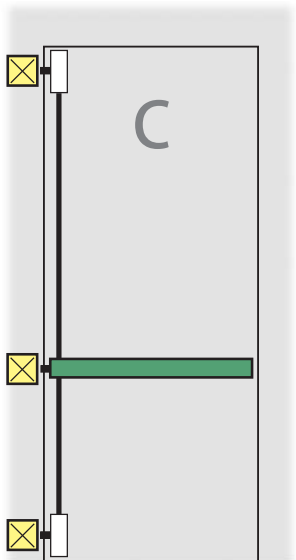
6110.712 + 6110.B +
6010.730



Application E:
BRUNELLESCHI

6110.703 +
6010.720/.721 +
6010.730 + 6010.740

6110.713 + 6110.B +
6010.720/.721 +
6010.730 + 6010.740

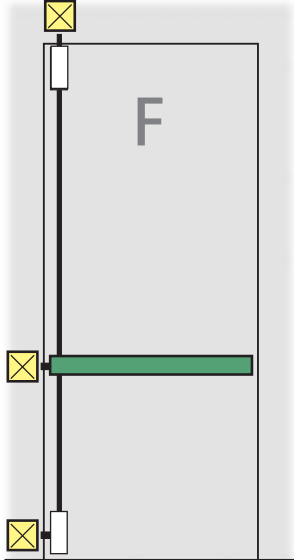


Application C:

BRUNELLESCHI
6110.3/840

6110.703 +
6010.720/.721 +
6010.740

6110.713 + 6110.B +
6010.720/.721 +
6010.740



Application F:

BRUNELLESCHI

6110.703 +
6010.720/.721 +
6010.735R/L

6110.713 + 6110.B +
6010.720/.721 +
6010.735R/L

Certified application schemes on 2 leaf doors

Legend:

BRUNELLESCHI alternative configurations

Application G:

G1 BRUNELLESCHI

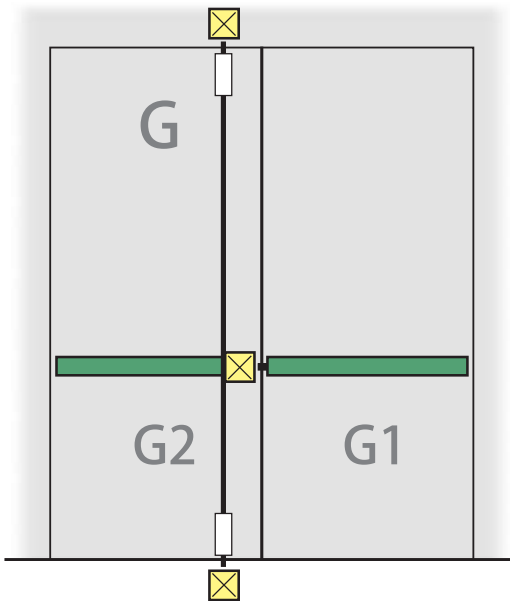
6110.1/840
6110.703

6110.713 + 6110.B

G2 BRUNELLESCHI

6110.2/840
6110.702 + 6010.720/.721 + 6010.730

6110.712 + 6110.B + 6010.720/.721 + 6010.730



Application H:

H1 BRUNELLESCHI

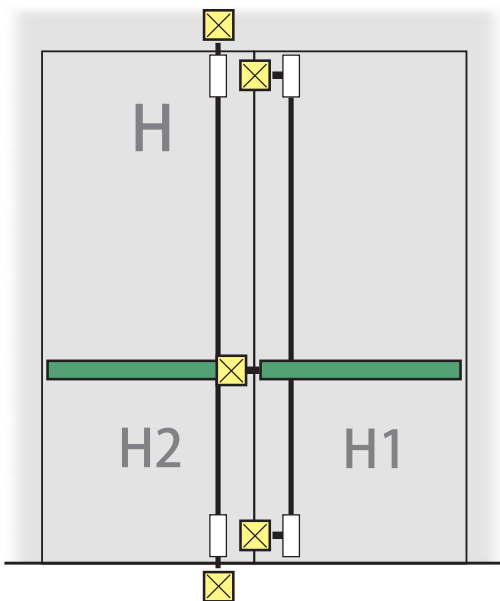
6110.3/840
6110.703 + 6010.720/.721 + 6010.740

6110.713 + 6110.B + 6010.720/.721 + 6010.740

H2 BRUNELLESCHI

6110.2/840
6110.702 + 6010.720/.721 + 6010.730

6110.712 + 6110.B + 6010.720/.721 + 6010.730





Savio S.p.A.
Via Torino, 25 (S.S. 25) - 10050 Chiusa S. Michele (TO)
Tel. +39 011 964 34 64 - Fax +39 011 964 34 74
www.savio.it - savio@savio.it

