

MULTI-POINT CLOSURES FOR SLIDING SYSTEMS



Multi-point closures for sliding systems

Stainless and galvanized steel versions

Backset of 7.5 mm and 15 mm

Wide range of heights

Versions with pre-assembled anti-lifting device and security against false operation

Closures in galvanized steel tested in salt spray and classified in digit 4 (480 hours)

New multipoint closures: security slides quickly and easily



More points, more security

Multi-point locking systems boost security of doors and windows and throughout the home.



Versatility is its strength

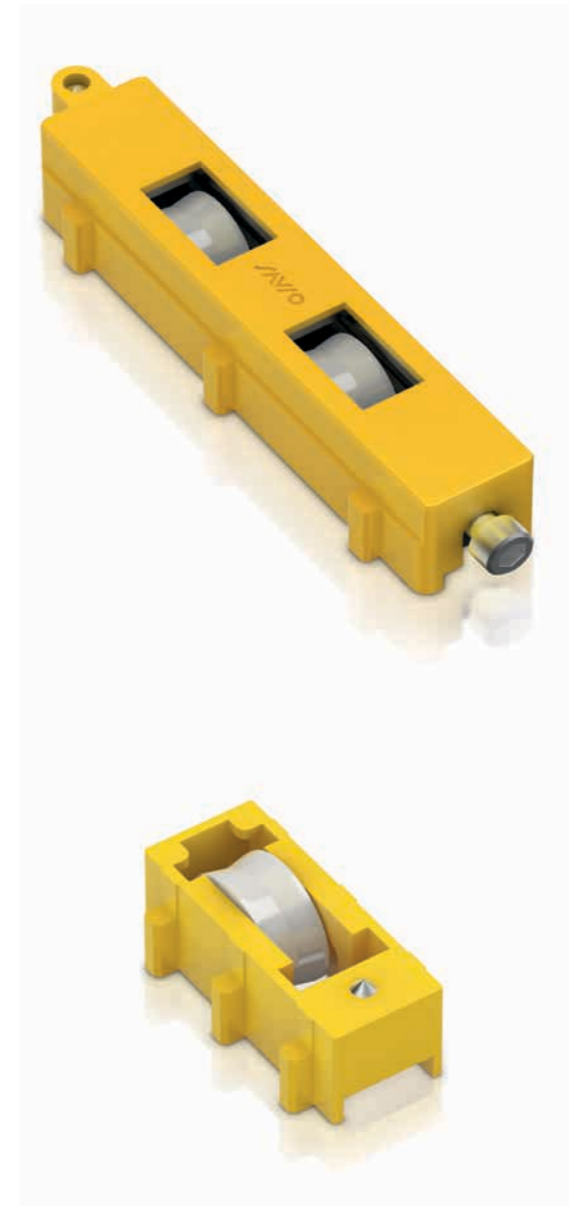
New system physically and aesthetically suitable to each profile. Latter with cylinder available in stainless or galvanised steel.



Smart lock

Stainless and galvanized steel versions are factory-fitted with mishandling device, which prevents unintentional damage if you turn the cockspur handle when the sliding door/window is open.

Versatility is child's play.



The new rollers for sliding doors and windows are suitable for both non-thermal and thermal break profiles.

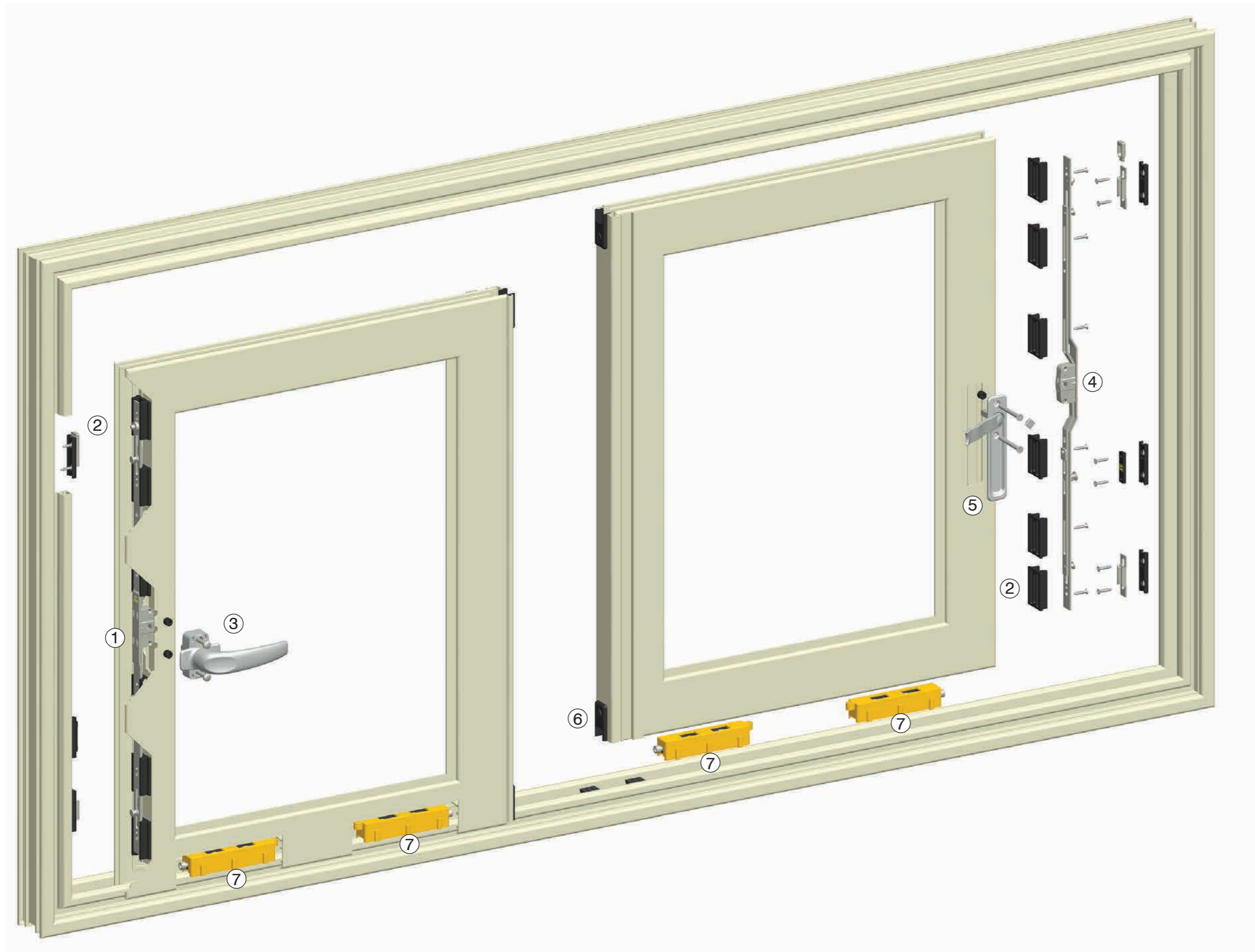
Smooth enough for effortless opening of every sliding door or window.

Strong enough for weight capacity of up to 200 Kg for 25,000 cycles.

Technical features:

- Adjustment in millimetre increments with stainless steel locking screw.
- Fixing on profile with pre-assembled grub screws.
- Tested for 25,000 cycles in compliance with EN 13126-15: 2008.
- Weight capacity of up to 220 kg per leaf.
- Suitable for both non-thermal and thermal break profiles.

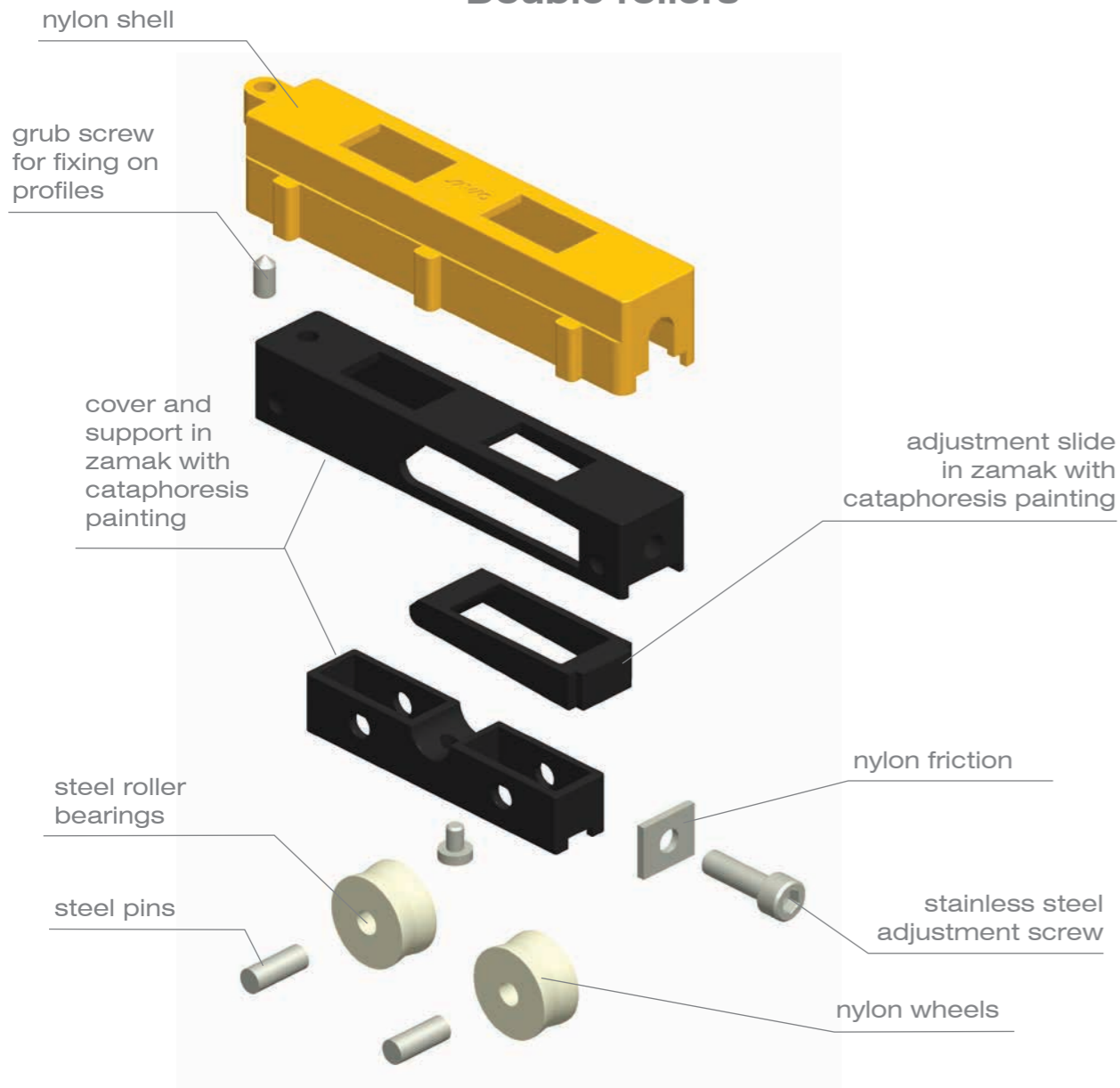
Application scheme on sliding window



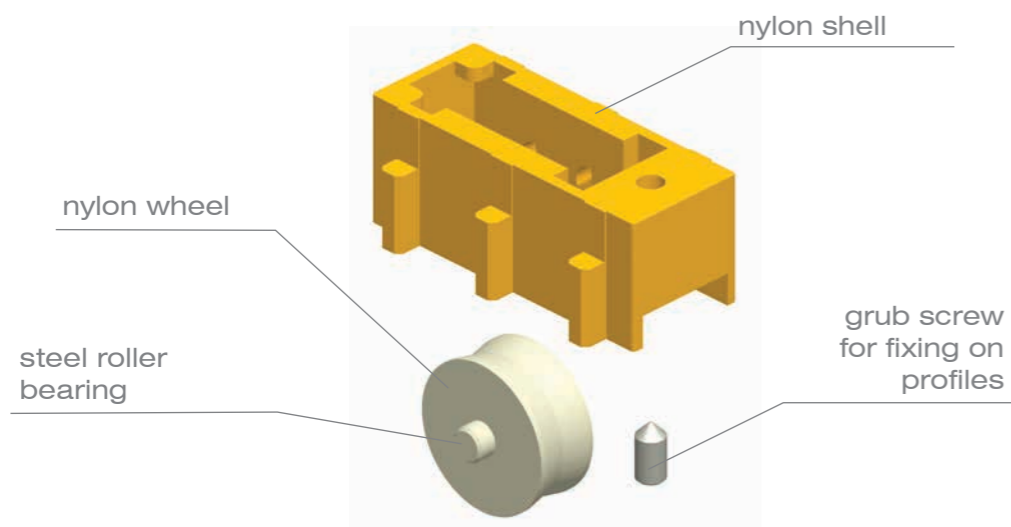
Application scheme on sliding window

- ① 2154.7/30
2154.7/30X
2154.7/60
2154.7/60X
2154.7/100
2154.7/100X
2154.7/180
2154.7/180X
- ② 2154.801/..
2154.802/..
2154.803/..
2154.804/..
2154.811/..
- ③ 866.3/7
866.4/7
874.3/7
874.4/7
1610/7
- ④ 2154.15/30
2154.15/30X
2154.15/60
2154.15/60X
2154.15/100
2154.15/100X
2154.15/180
2154.15/180X
2154.751/180
- ⑤ 2061
- ⑥ 2203.1/2
2203.51/120
2203.51/180
2203.52/120
2203.52/180
- ⑦ 2150.1
2151.1
2152.1
2156.1
A29624300

Double rollers








Single rollers








Multi-point closures

Item	Description	Pcs.	Finishes
2154.7/30	Multi-point closure for sliding systems in galvanized steel, 1 closing point, with anti-lifting device, backset of 7.5 mm. Length of 300 mm. Tested 480 hours in salt spray.	6	
2154.7/30X	Multi-point closure for sliding systems in stainless steel, 2 closing points, backset of 7.5 mm. Length of 300 mm.	6	
2154.7/60	Multi-point closure for sliding systems in galvanized steel, 2 closing points, with anti-lifting device and security against false operation, backset of 7.5 mm. Length of 600 mm. Tested 480 hours in salt spray.	6	
2154.7/60X	Multi-point closure for sliding systems in stainless steel, 2 closing points, with anti-lifting device and security against false operation, backset of 7.5 mm. Length of 600 mm.	6	
2154.7/100	Multi-point closure for sliding systems in galvanized steel, 2 closing points, with anti-lifting device and security against false operation, backset of 7.5 mm. Length of 1000 mm. Tested 480 hours in salt spray.	6	

Multi-point closures

Item	Description	Pcs.	Finishes
 2154.7/100X	Multi-point closure for sliding systems in stainless steel, 2 closing points, with anti-lifting device and security against false operation, backset of 7.5 mm. Length of 1000 mm.	6	
 2154.7/180	Multi-point closure for sliding systems in galvanized steel, 3 closing points, with anti-lifting device and security against false operation, backset of 7.5 mm. Length of 1800 mm. Tested 480 hours in salt spray.	6	
 2154.7/180X	Multi-point closure for sliding systems in stainless steel, 4 closing points, with anti-lifting device and security against false operation, backset of 7.5 mm. Length of 1800 mm.	6	
 2154.15/30	Multi-point closure for sliding systems in galvanized steel, 1 closing point, with anti-lifting device, backset of 15 mm. Length of 300 mm. Tested 480 hours in salt spray.	6	
 2154.15/30X	Multi-point closure for sliding systems in stainless steel, 2 closing points, backset of 15 mm. Length of 300 mm.	6	

Multi-point closures

Item	Description	Pcs.	Finishes
 2154.15/60	Multi-point closure for sliding systems in galvanized steel, 2 closing points, with anti-lifting device and security against false operation, backset of 15 mm. Length of 600 mm. Tested 480 hours in salt spray.	6	
 2154.15/60X	Multi-point closure for sliding systems in stainless steel, 2 closing points, with anti-lifting device and security against false operation, backset of 15 mm. Length of 600 mm.	6	
 2154.15/100	Multi-point closure for sliding systems in galvanized steel, 2 closing points, with anti-lifting device and security against false operation, backset of 15 mm. Length of 1000 mm. Tested 480 hours in salt spray.	6	
 2154.15/100X	Multi-point closure for sliding systems in stainless steel, 2 closing points, with anti-lifting device and security against false operation, backset of 15 mm. Length of 1000 mm.	6	
 2154.15/180	Multi-point closure for sliding systems in galvanized steel, 3 closing points, with anti-lifting device and security against false operation, backset of 15 mm. Length of 1800 mm. Tested 480 hours in salt spray.	6	

Multi-point closures

Item	Description	Pcs.	Finishes
2154.15/180X	Multi-point closure for sliding systems in stainless steel, 4 closing points, with anti-lifting device and security against false operation, backset of 15 mm. Length of 1800 mm.	6	
2154.751/180	Multi-point closure for sliding systems preset for cylinder, 3 closing points, in galvanized steel, with anti-lifting device and security against false operation, backset of 15 mm. Length of 1800 mm. Tested 480 hours in salt spray.	6	

Handles

Item	Description	Pcs.	Finishes
874.3/7	MANON (patented) Handle with handle in die-cast metal, base and cap in zamak, distance between centres of 43 mm, 7 mm square spindle with a projecting part of 24.5 mm and 2 cap screws M5x35 in galvanized steel.	5	1013, 1015, 1035, 7032, 7035, 8019, 9001, 9005, 9010, B.MA, B.SA, BL10, BR5, BR801, C, GR217, GR51, GR606, GREY, PVD H, PVD X, SILV
874.4/7	MANON (patented) Handle with handle in die-cast metal, base and cap in zamak, distance between centres of 43 mm, 7 mm square spindle with projecting part of 52 mm and 2 cap screws M5x60 in galvanized steel.	5	1013, 1015, 8019, 9001, 9005, 9010, 9016, B.MA, B.SA, BL10, BR5, BR801, C, GR217, GREY, PVD H, PVD X, SILV
866.3/7	ARIANNA Handle with handle in zamak, distance between centres of 43 mm, 7 mm square spindle with a projecting part of 24.5 mm and 2 cap screws M5x35 in galvanized steel.	5	1013, 8019, 9005, 9010, B.MA, BL10, BR5, C, GR217, PVD H, PVD X, SILV
866.4/7	ARIANNA Handle with handle in zamak, distance between centres of 43 mm, 7 mm square spindle with a projecting part of 52 mm and 2 cap screws M5x60 in galvanized steel.		1013, 8019, 9005, 9010, B.SA, BL10, BR5, C, GR217, PVD H, PVD X, SILV
1610/7	Handle with grip in aluminium, 7 mm square spindle with a projecting part of 38 mm and 2 countersunk head screws M5x45 in galvanized steel.	25	9005, 9016, F, U
2061	Recessed handle with grip and base in zamak, distance between centres of 43 mm, square spindle of 7 mm, 2 countersunk head screws M5x50 in stainless steel and 1 nylon cover machining cap.	20	9005, 9010, SILV

Multi-point closure fitting kit

Item	Description	Pcs.	Finishes
2154.801/30	Fitting kit for multi-point closures of 300 mm, including: 2 nylon lock shims, 1 nylon spacer, 2 nylon keeper shims, 1 zamak adapter for anti-lifting device, 2 keepers in stainless steel 304, 6 self-drilling countersunk head screws Ø 3.5x19 mm in stainless steel. For NC 60 Int. profiles.	12	
2154.802/30	Like 2154.801/30 but for Win 90 S profiles.	12	
2154.803/30	Like 2154.801/30 but for Domal Slide PA 80 profiles.	12	
2154.804/30	Like 2154.801/30 but for Triall.co 65 S/65 TT profiles.	12	
2154.811/30	Like 2154.801/30 but for Skeit 60/Export 60 S profiles.	12	
2154.801/60	Fitting kit for multi-point closures of 600 mm, including: 6 nylon lock shims, 1 nylon spacer, 3 nylon keeper shims, 1 zamak adapter for anti-lifting device, 1 nylon shim for security against false operation, 2 keepers in stainless steel 304, 12 self-drilling countersunk head screws Ø 3.5x19 mm in stainless steel. For NC 60 Int. profiles.	12	
2154.802/60	Like 2154.801/60 but for Win 90 S profiles.	6	
2154.803/60	Like 2154.801/60 but for Domal Slide PA 80 profiles.	12	
2154.804/60	Like 2154.801/60 but for Triall.co 65 S/65 TT profiles.	12	
2154.811/60	Like 2154.801/60 but for Skeit 60/Export 60 S profiles.	12	
2154.801/100	Fitting kit for multi-point closures of 1000 mm, including: 7 nylon lock shims, 1 nylon spacer, 3 nylon keeper shims, 1 zamak adapter for anti-lifting device, 1 nylon shim for security against false operation, 2 keepers in stainless steel 304, 13 self-drilling countersunk head screws Ø 3.5x19 mm in stainless steel. For NC 60 Int. profiles.	12	
2154.802/100	Like 2154.801/100 but for Win 90 S profiles.	6	
2154.803/100	Like 2154.801/100 but for Domal Slide PA 80 profiles.	12	
2154.804/100	Like 2154.801/100 but for Triall.co 65 S/65 TT profiles.	12	
2154.811/100	Like 2154.801/100 but for Skeit 60/Export 60 S profiles.	12	
2154.801/180	Fitting kit for multi-point closures of 1800 mm, including: 11 nylon lock shims, 1 nylon spacer, 5 nylon keeper shims, 1 zamak adapter for anti-lifting device, 1 nylon shim for security against false operation, 4 keepers in stainless steel 304, 19 self-drilling countersunk head screws Ø 3.5x19 mm in stainless steel. For NC 60 Int. profiles.	2	
2154.802/180	Like 2154.801/180 but for Win 90 S profiles.	6	
2154.803/180	Like 2154.801/180 but for Domal Slide PA 80 profiles.	6	
2154.804/180	Like 2154.801/180 but for Triall.co 65 S/65 TT profiles.	6	
2154.811/180	Like 2154.801/180 but for Skeit 60/Export 60 S profiles.	12	



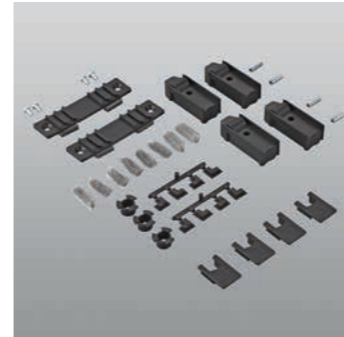
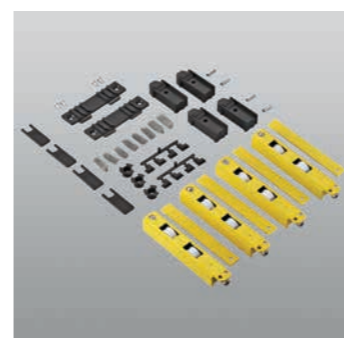


Rollers and kit for sliding systems

Item	Description	Pcs.	Finishes
2150.1	Adjustable double roller in zamak varnished in cathaphoresis and nylon, steel roller bearings, stainless steel screws. Weight capacity: max 180 Kg/leaf. For Export 60 S, NC 60 Int. and Skeit 60 profiles.	40	
2151.1	Like 2150.1 but with polymer roller bearings and weight capacity max 120 Kg/leaf.	40	

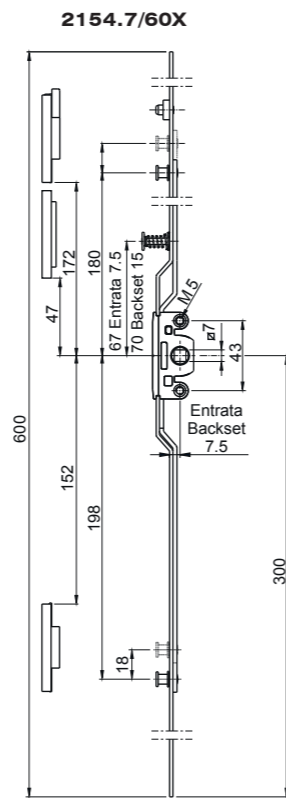
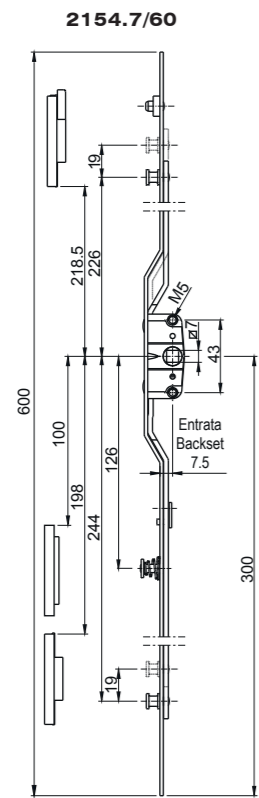
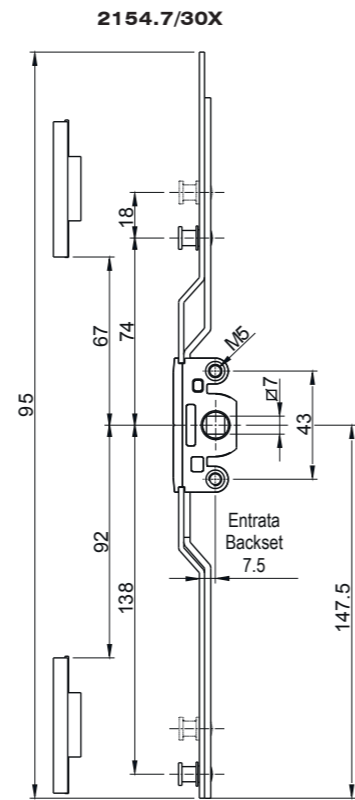
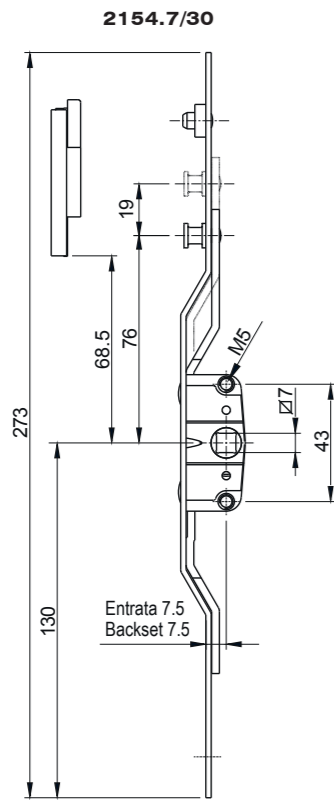
Rollers and kit for sliding systems

Item	Description	Pcs.	Finishes
	2150.4	40	
	2151.4	40	
	2152.1	40	
	2156.1	40	
	2156.4	40	
	2157.4	40	

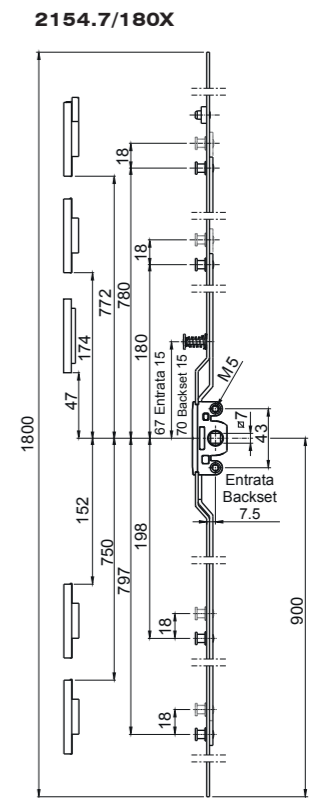
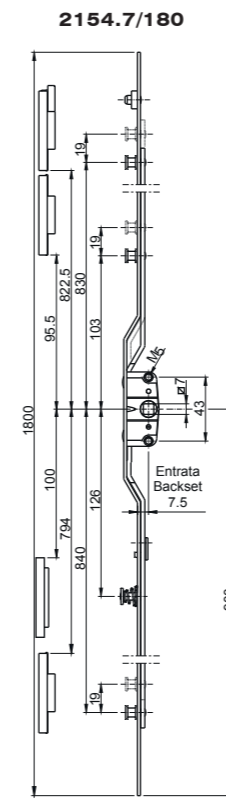
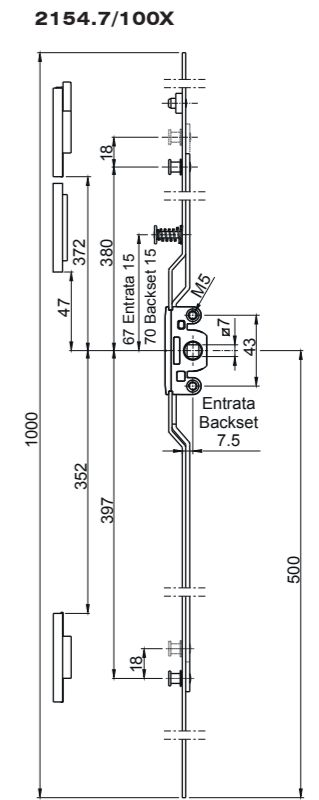
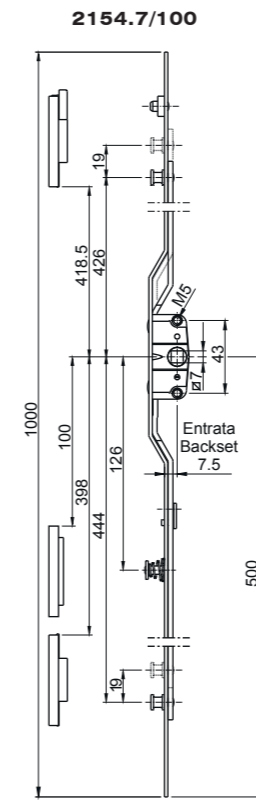
Rollers and kit for sliding systems

Item	Description	Pcs.	Finishes
	A29624300	40	
	2203.1	10	
	2203.2	10	
	2203.51/120	10	
	2203.51/180	10	
	2203.52/120	10	
	2203.52/180	10	

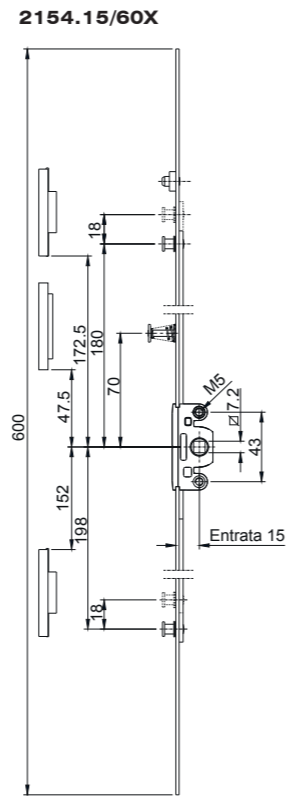
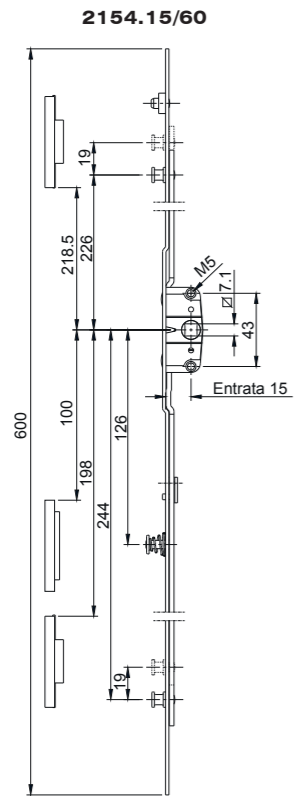
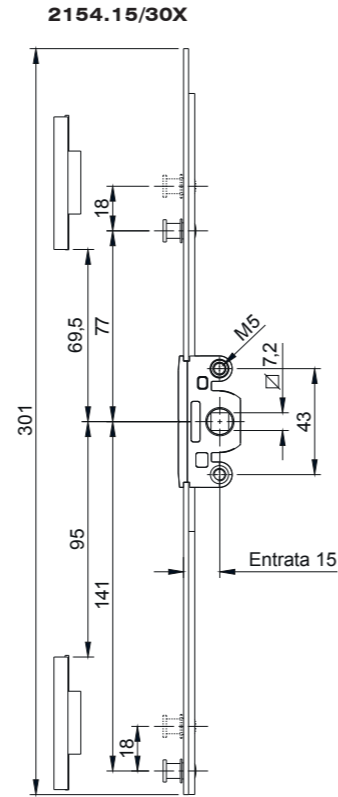
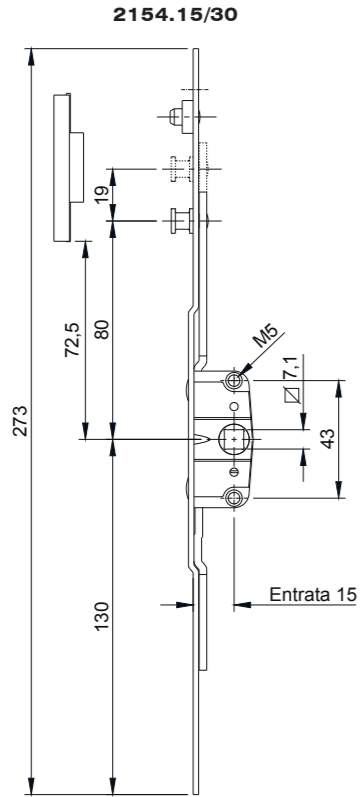
Multi-point closures



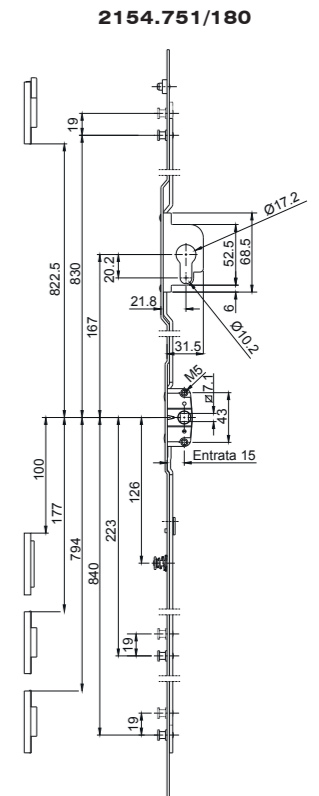
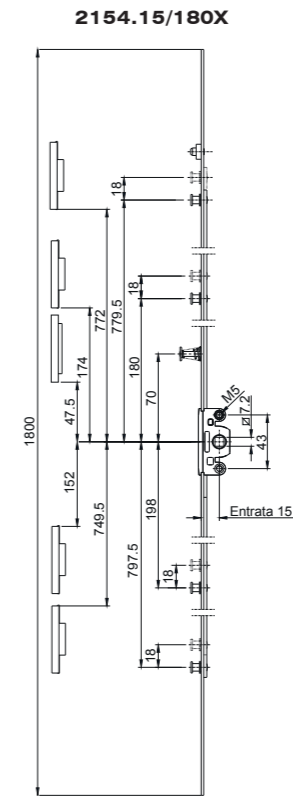
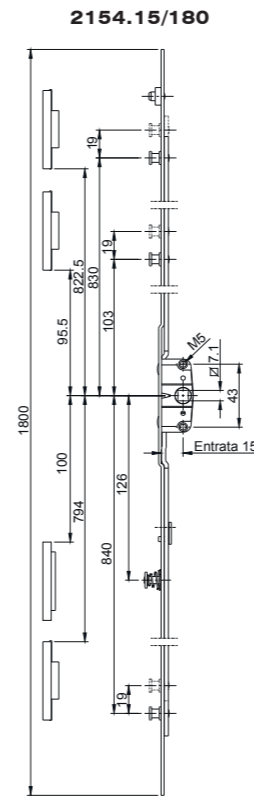
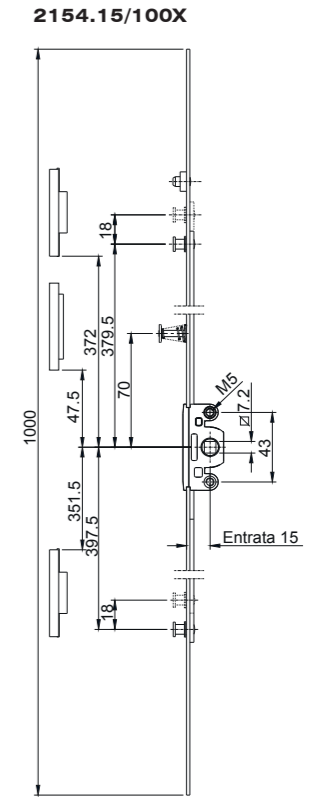
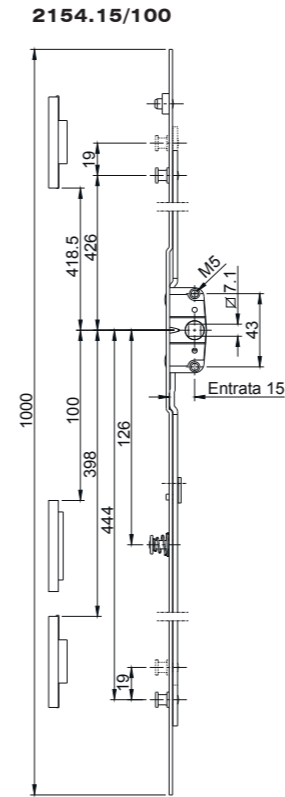
Multi-point closures



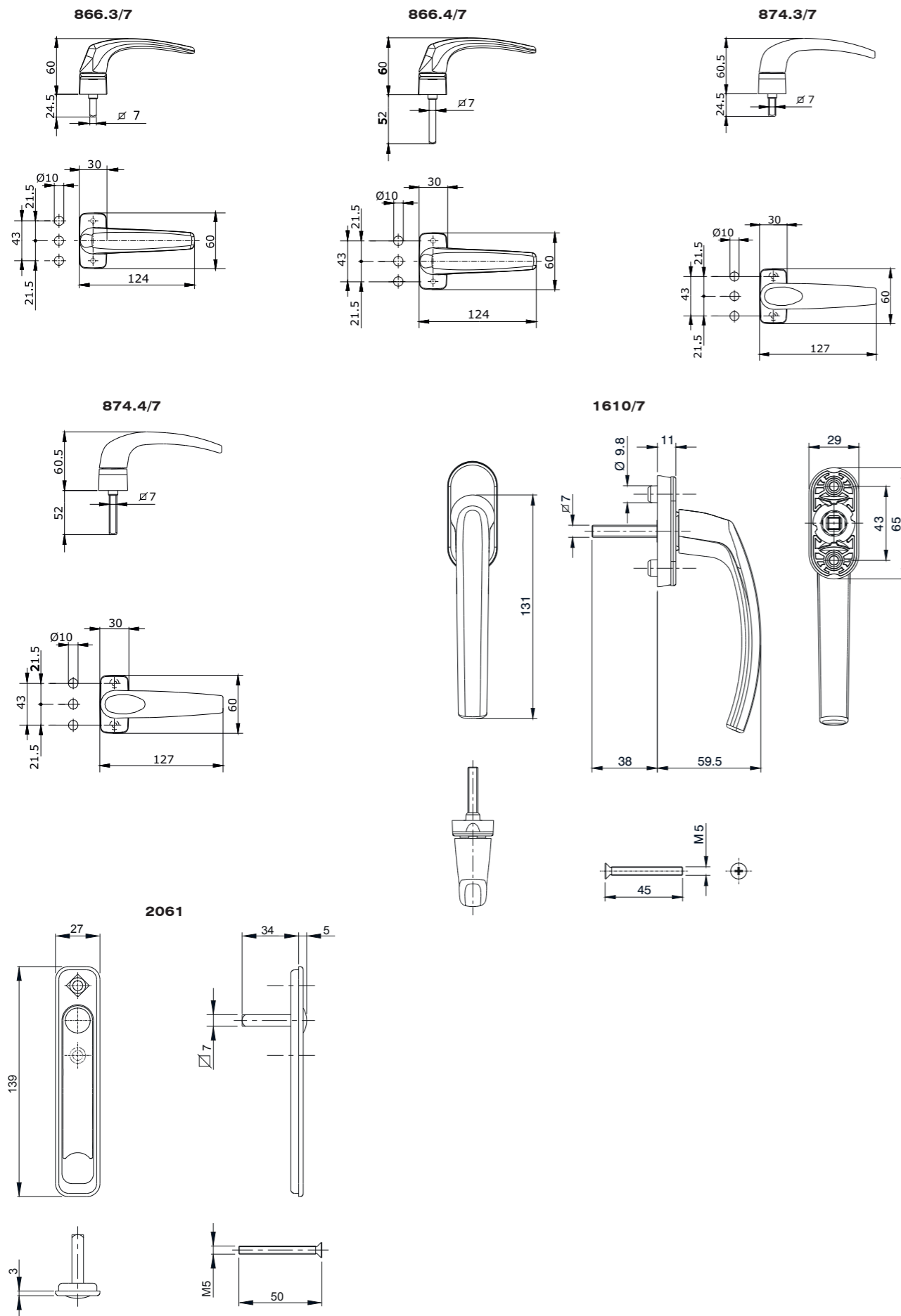
Multi-point closures



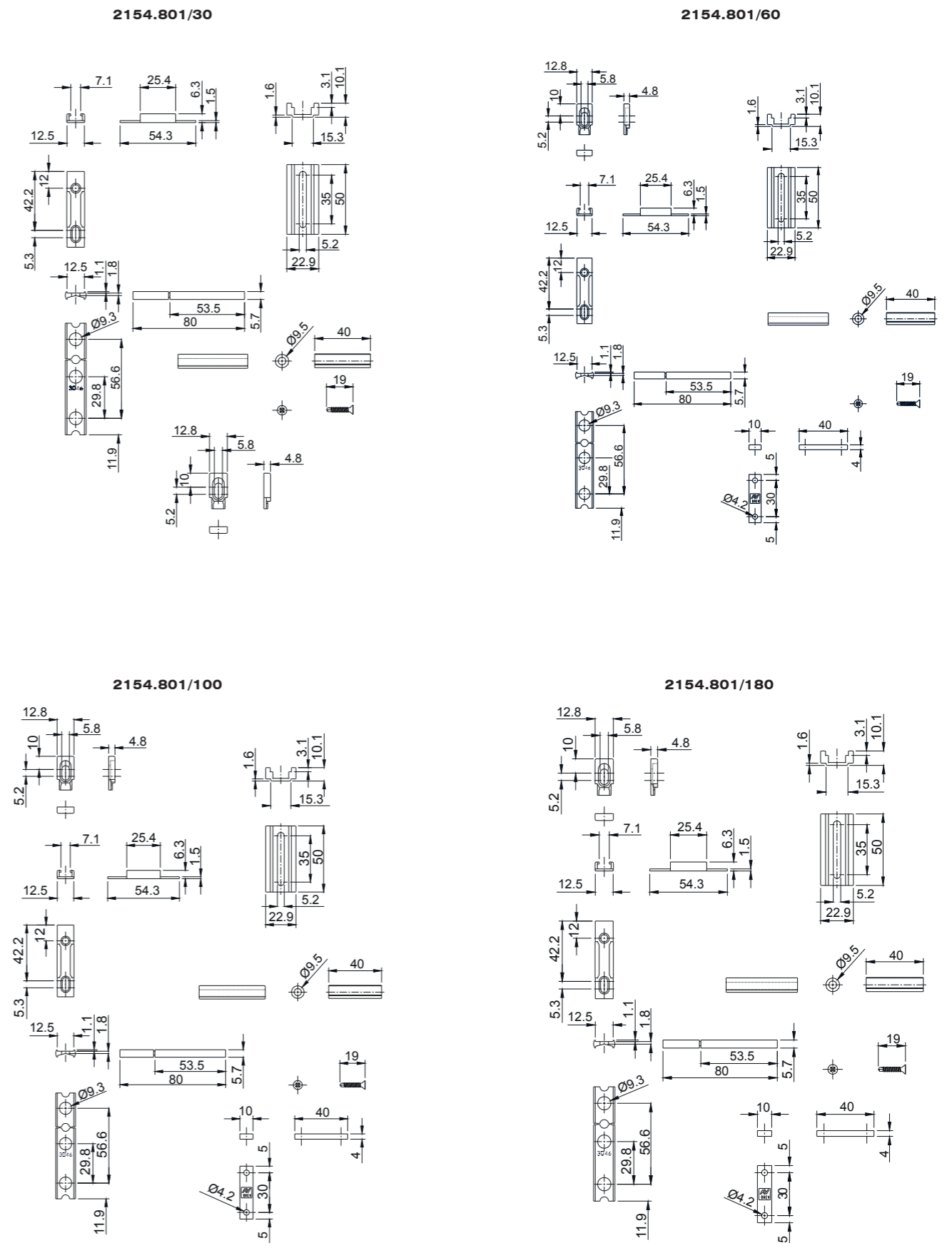
Multi-point closures



Handles

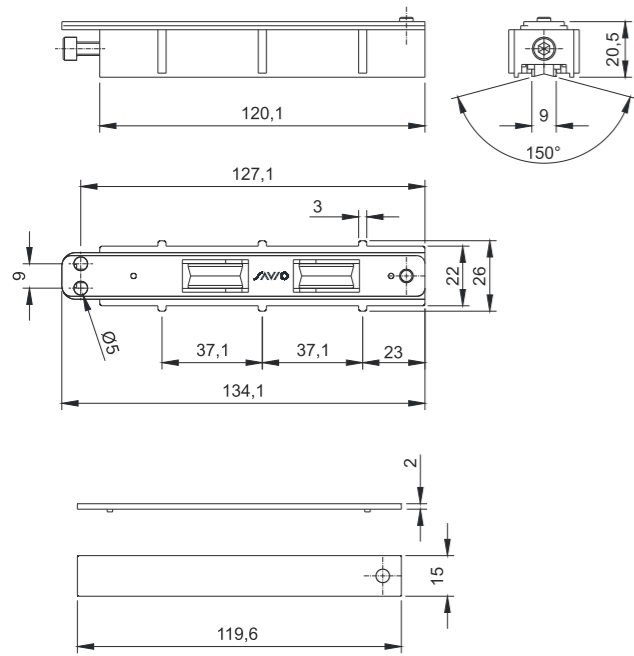


Fitting kit

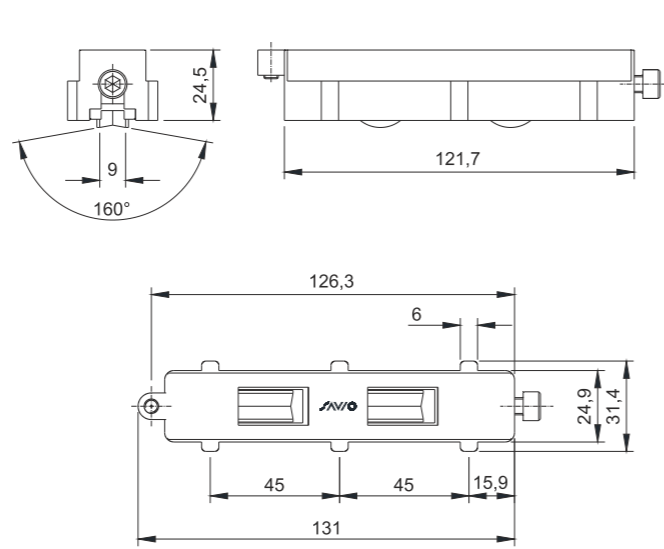


Rollers and kit for sliding systems

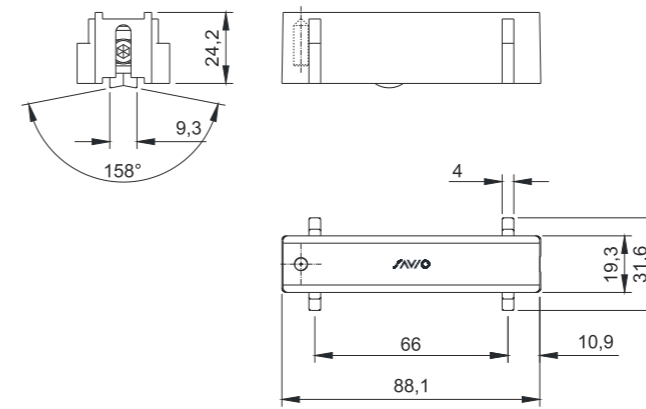
2150.1 - 2151.1



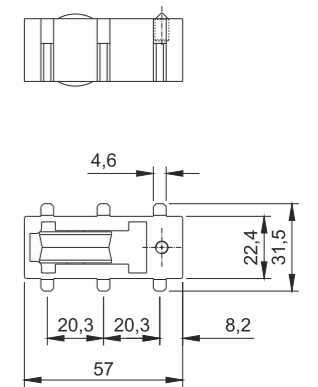
2150.4 - 2151.4



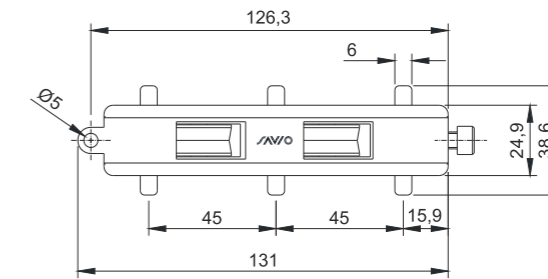
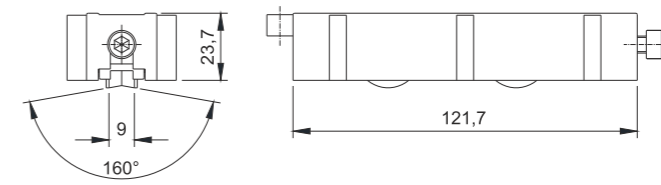
2156.4



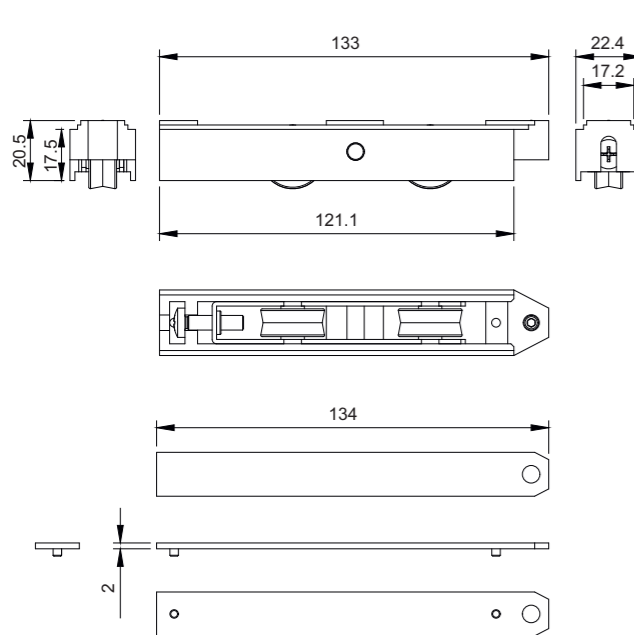
2157.4



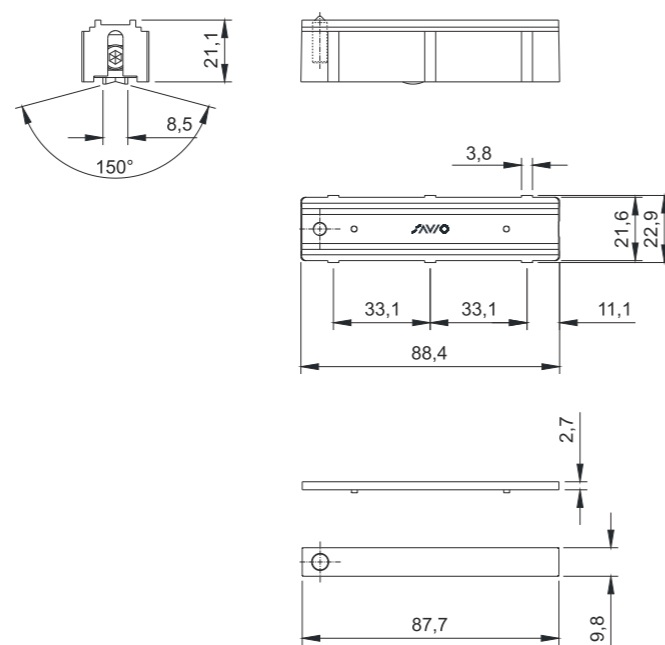
A29624300



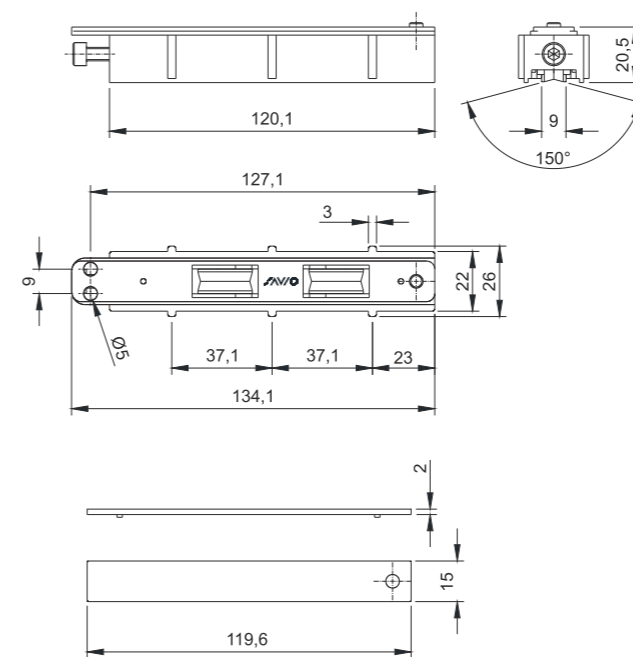
2152.1



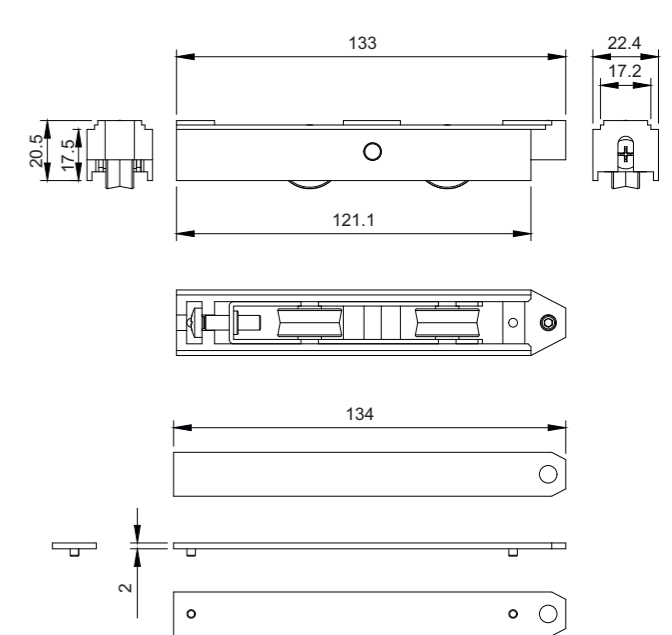
2156.1



2203.1



2203.2



Rollers and kit for sliding systems

Roller range suitability table

Extruder	Profile	2150.1	2151.1	2156.1	2152.1	2150.4	2151.4	2156.4	2157.4	A29624300
ALSISTEM	GLOBAL 60	●	●	●						
ALL.CO	EXPORT 60 S	●	●	●						
ALL.CO	EXPORT 65 S					●	●	●		
ALL.CO	EXPORT 65 ST					●	●	●		
ALL.CO	KS 50	●	●	●						
ALL.CO	KS 50 T	●	●	●						
ALL.CO	TRIAL.CO 65 S					●	●	●		
ALL.CO	TRIAL.CO 65 TT					●	●	●		
ALL.CO	TRIAL.CO 90 S					●	●	●		
ALL.CO	TRIAL.CO 90 TT					●	●	●		
ETA	900 S					●	●	●		
ETA	900 S TT					●	●	●		
ETA	START 410 SCORREVOLE	●	●	●						
ETNALL	SERIE 40000	●	●	●						
ETNALL	SERIE 40600					●	●	●		
ETNALL	TSC 80					●	●	●		
HYDRO BUILDING SYSTEMS	DOMAL 40 S	●	●	●						
INDINVEST	GOLD 650 S					●	●	●		
INDINVEST	GOLD 650 ST					●	●	●		
METRA	NC 60 INT	●	●	●						
MORELLI	MA 8700	●	●	●						
PONZIO	SLIDING 600	●	●	●						
PROFILATI	PE 60 S	●	●	●						
SAPA	WIN 90									●
TP PROFILATI	EKOS 60 S					●	●			
TP PROFILATI	EKOS 60 STH					●	●			
TRAF. PASSERINI ALLUMINIO	SKEIT 60	●		●						
TRAF. PASSERINI ALLUMINIO	SKEIT 60 SUPER	●	●	●						
TRAF. PASSERINI ALLUMINIO	SKEIT 60 SUPER TT	●	●	●						



Savio S.p.A.
Via Torino, 25 (S.S. 25) - 10050 Chiusa S. Michele (TO)
Tel. +39 011 964 34 64 - Fax +39 011 964 34 74
www.savio.it - export@savio.it

