

FIXING KIT WITH SPECIAL SCREWS



RANGE OF FIXING KITS FOR 2 AND 3-WING MECHANICA HINGES

- For thermal cut profiles only
- Can be applied to all existing MECHANICA hinges
- White galvanized and stainless steel versions
- Self-tapping
- Different lengths available
- High tightening torques

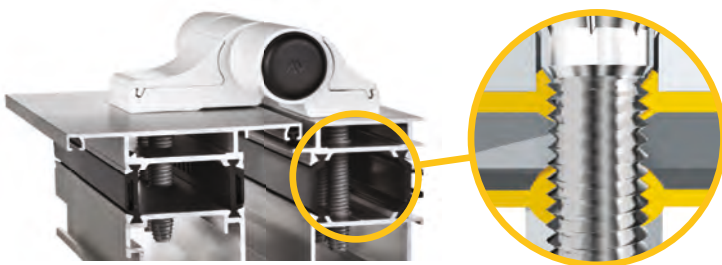


SAVIO FIXIA CAN HOLD 1,230 TIMES ITS WEIGHT.

The figure of 1,230 times was calculated on the Fixia system using eight 23.3-g screws applied to two Mechanica 2-wing hinges



savio.it



Record of solidity in terms of fixing. The special shape with tapered tip allows for very sturdy fixing to the profile, since it increases the gripping thickness of the thread. In fact, while it is inserted the screw gradually widens the hole and doubles the profile thickness at the thread. This operation, called heading, allows for very solid and long-lasting fixing.

230 KG.

Savio's new Fixia screw is a special screw patented for **Mechanica** and for thermal cut profiles that offers record performances:

- Weight capacity of 230 kg, in compliance with EN 1191:2002
- Can be used in combination with the standard versions of the Mechanica hinge
- Can be used on single-piece and stepped hinges
- Significant reduction in drilling mistakes
- No special assembly tools needed

Standard EN 1191:2002: The test, carried out under actual utilization conditions at the IFT facilities of Rosenheim, exceeded 200,000 cycles using a **230-kg** leaf with dimensions of L=1100 X H=2200, made with a profile 1,7 mm thick, with two 2-wing **Mechanica** hinges (1146/62.5) secured by means of the **Fixia** system. This result has made it possible to achieve **level "6"** of the classification according to standard EN 12400:2002, which corresponds to frequent door use (certification program QM 343).

For the weight capacities of the **Mechanica** hinges, in case of use on escape route doors, please refer to the results obtained in tests carried out according to **standard EN 1935:2002** (visit the Savio website, in the Technical Documentation section, and select the item Certification).



Savio Fixia.
The record to beat.

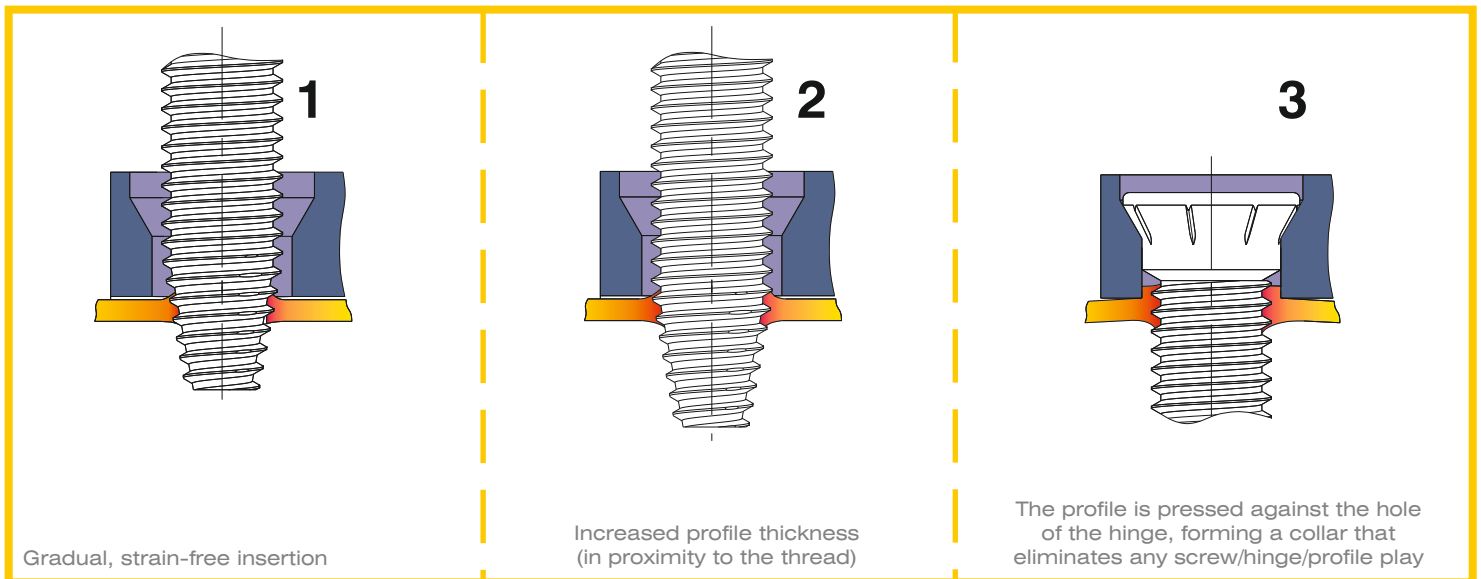
SAVIO
Open mind for closing systems.

FIXIA

FIXING

The **Fixia** screw allows a very solid fixing to the profile. Thanks to its special shape with tapered tip, it increases the gripping thickness of the thread created on the aluminium profile.

While it is inserted, the screw gradually widens the hole and increases the thickness (doubles) of the thread. This phenomenon, called **heading effect**, guarantees very high tightening torques and consequently very sturdy fixing.

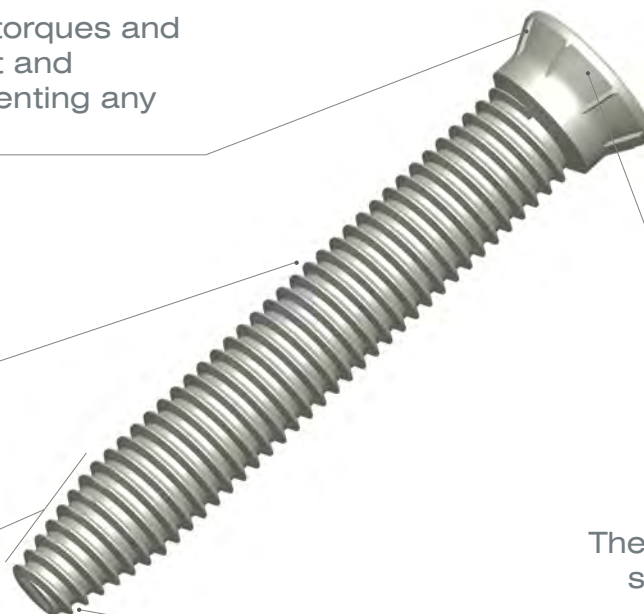


Keying:

It allows high tightening torques and guarantees a permanent and irreversible locking, preventing any hinge deformation.

The **lubricating lining** makes for smoother insertion.

Special shape for gradual heading.



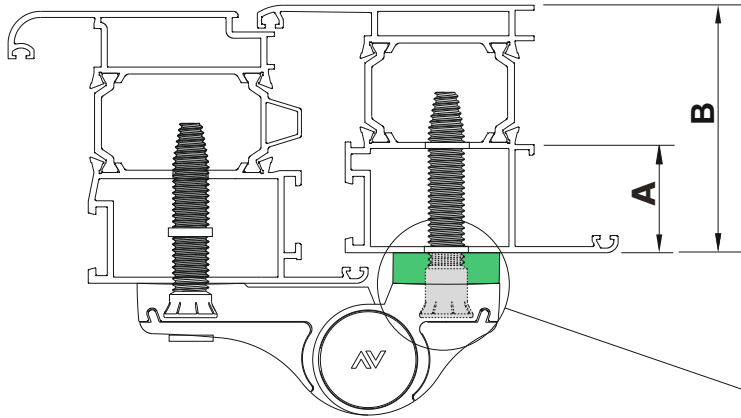
Tapering:

It perfectly lines up the holes of the profiles to the hinge, thus eliminating any play between the screw and the hinge.

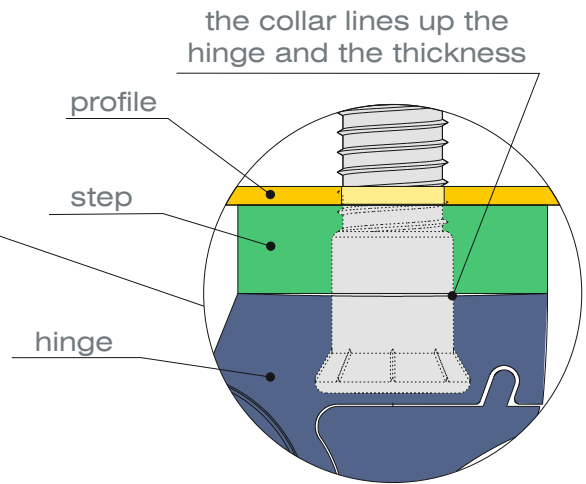
The **three-lobed tip** allows the screw to enter gradually with no excess pressure, and encourages the thread to form.

Fixing to stepped profiles

INWARD OPENING FRAME SIDE

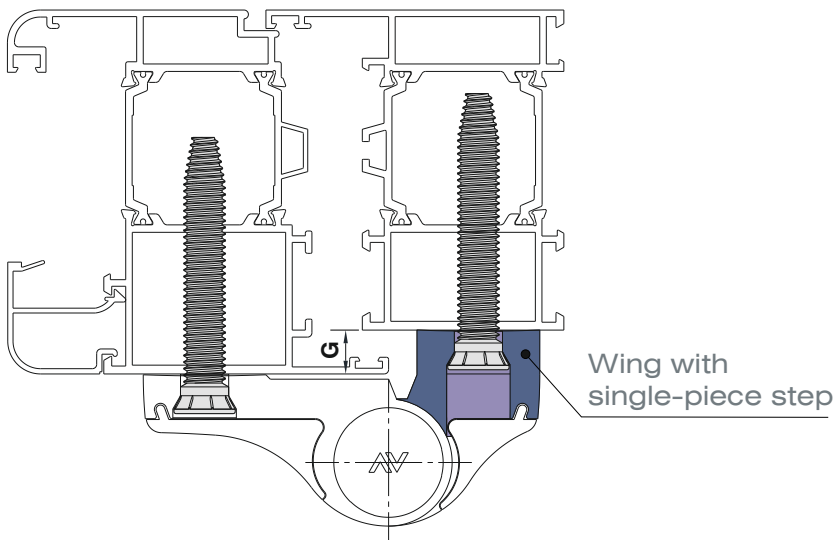


1145.752-1145.753 /7, /8, /10	
A= 15 ÷ 34	B ≥ 45



Fixing on stepped profiles with single-piece hinges

INWARD OPENING LEAF SIDE



Art.	G	Wings
1145.2/60	10	2
1145.23/60	10	3
1145.82/60	8	2
1145.83/60	8	3
1146.2/62	10	2
1146.23/62	10	3

FIXIA fixing kits

for 2-3 wing MECHANICA hinges



Article	Description	Pcs.
1145.741	FIXIA (patented) Fastening kit for 2-wing MECHANICA hinges with: 4 special screws of 51 mm and 2 socket head cap screws M4x16 in white galvanized steel, 1 white galvanized grub screw M6x8 for cam bushing fastening. Weight capacity: 230 Kg (standard EN 1191:2002). In case of use on escape route doors, please refer to the results obtained in tests carried out according to standard EN 1935:2002.	20
1145.741X	FIXIA (patented) like 1145.741 but in stainless steel.	20
1145.745	FIXIA (patented) like 1145.741 but with 4 special screws of 63 mm.	20
1145.745X	FIXIA (patented) like 1145.745 but in stainless steel.	20



Article	Description	Pcs.
1145.743	FIXIA (patented) Fastening kit for 3-wing MECHANICA hinges with: 6 special screws of 51 mm and 3 socket head cap screws M4x16 in white galvanized steel, 1 white galvanized grub screw M6x8 for cam bushing fastening. Weight capacity: 230 Kg (standard EN 1191:2002). In case of use on escape route doors, please refer to the results obtained in tests carried out according to standard EN 1935:2002.	10
1145.743X	FIXIA (patented) like 1145.743 but in stainless steel.	10
1145.747	FIXIA (patented) like 1145.743 but with 6 special screws of 63 mm.	10
1145.747X	FIXIA (patented) like 1145.747 but in stainless steel.	10



Article	Description	Pcs.
1145.755	FIXIA (patented) Fastening kit for 2-wing MECHANICA hinges with: 2 special screws of 51 mm and 1 socket head cap screw M4x16 in white galvanized steel, 1 white galvanized grub screw M6x8 for cam bushing fastening. Weight capacity: 230 Kg (standard EN 1191:2002). In case of use on escape route doors, please refer to the results obtained in tests carried out according to standard EN 1935:2002.	20
1145.755X	FIXIA (patented) like 1145.755 but in stainless steel.	20
1145.757	FIXIA (patented) like 1145.755 but with 2 special screws of 63 mm.	20
1145.757X	FIXIA (patented) like 1145.757 but in stainless steel.	20



Article	Description	Pcs.
1145.752/7	(patented) Aluminium step of 7 mm with 2 special screws of 59 mm and 1 socket head cap screw M4x16 in white galvanized steel. To use with FIXIA kit art. 1145.755/.757.	50
1145.752/8	(patented) like 1145.752/7 but of 8,5 mm.	50
1145.752/10	(patented) like 1145.752/7 but of 10 mm.	50
1145.753/7	(patented) Aluminium step of 7 mm with 2 special screws of 59 mm and 1 socket head cap screw M4x16 in stainless steel. To use with FIXIA kit art. 1145.755X/.757X.	50
1145.753/8	(patented) like 1145.753/7 but of 8,5 mm.	50
1145.753/10	(patented) like 1145.753/7 but of 10 mm.	50

... and STANDARD fixing kits

for 2-3 wing MECHANICA hinges



Article	Description	Pcs.
1145.721	(patented) Fastening kit for 2-wing MECHANICA hinges with: 4 special screws of 48 mm and 2 socket head cap screws M4x16 in white galvanized steel, 1 white galvanized grub screw M6x8 for cam bushing fastening. Weight capacity: 120 Kg.	20
1145.721X	(patented) like 1145.721 but in stainless steel.	20
1145.725	(patented) like 1145.721 but with 4 special screws of 58 mm.	20
1145.725X	(patented) like 1145.725 but in stainless steel.	20



Article	Description	Pcs.
1145.723	(patented) Fastening kit for 3-wing MECHANICA hinges with: 6 special screws of 48 mm and 3 socket head cap screws M4x16 in white galvanized steel, 1 white galvanized grub screw M6x8 for cam bushing fastening. Weight capacity: 120 Kg.	10
1145.723X	(patented) like 1145.723 but in stainless steel.	10
1145.727	(patented) like 1145.723 but with 4 special screws of 58 mm.	10
1145.727X	(patented) like 1145.727 but in stainless steel.	10



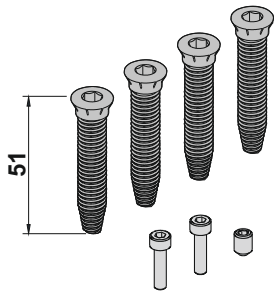
Article	Description	Pcs.
1145.765	(patented) Fastening kit for 2-wing MECHANICA hinges with: 2 special screws of 48 mm and 1 socket head cap screw M4x16 in white galvanized steel, 1 white galvanized grub screw M6x8 for cam bushing fastening. Weight capacity: 120 Kg.	20
1145.767	(patented) Fastening kit for 2-wing MECHANICA hinges with: 2 special screws of 58 mm and 1 socket head cap screw M4x16 in white galvanized steel, 1 white galvanized grub screw M6x8 for cam bushing fastening. Weight capacity: 120 Kg.	20



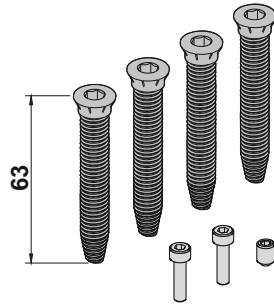
Article	Description	Pcs.
1145.762/7	(patented) Aluminium step of 7 mm with 2 special screws of 59 mm and 1 socket head cap screw M4x16 in white galvanized steel. To use with art. 1145.765/.767.	50
1145.762/8	(patented) like 1145.752/7 but of 8,5 mm.	50
1145.762/10	(patented) like 1145.752/7 but of 10 mm.	50

FIXIA fixing kits

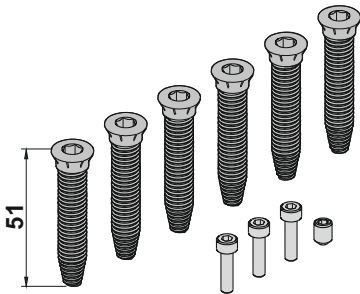
1145.741/1145.741X



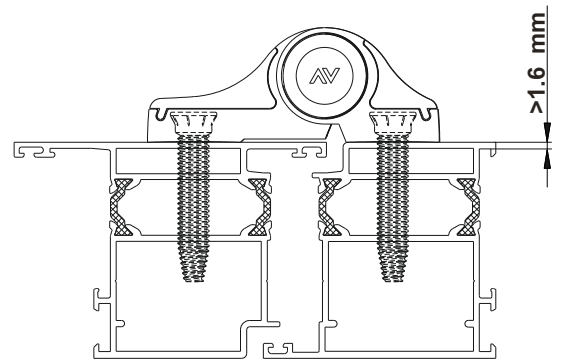
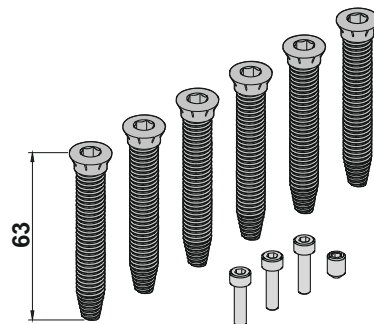
1145.745/1145.745X



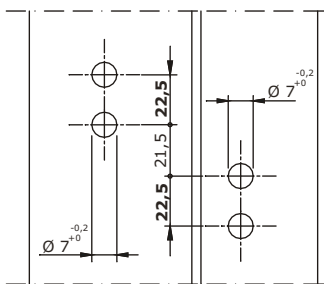
1145.743/1145.743X



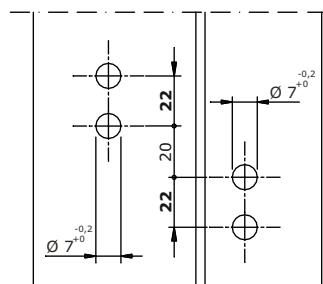
1145.747/1145.747X



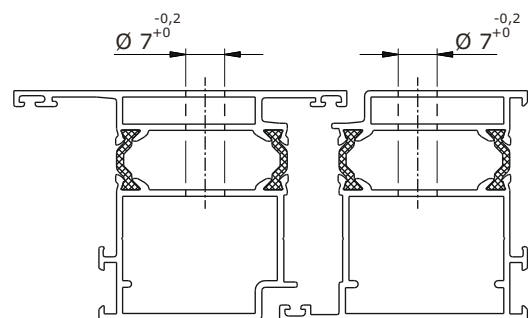
1145/..



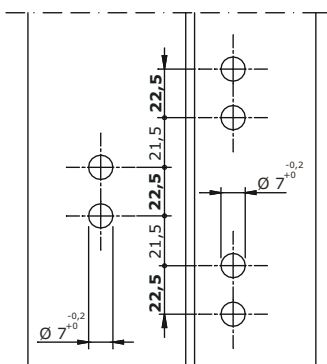
1146/..



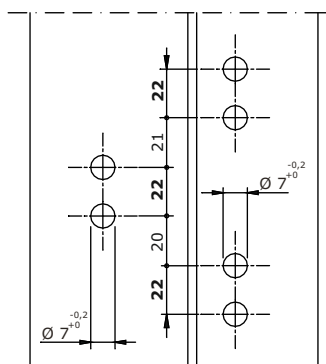
External opening



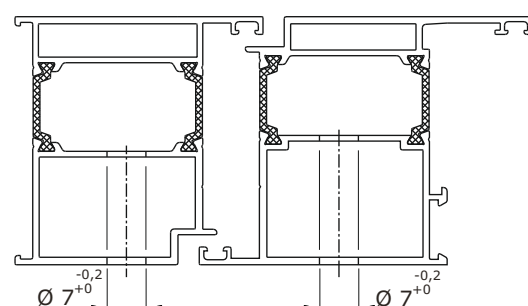
1145.3/..



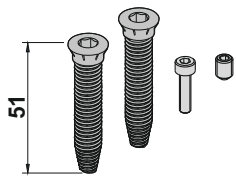
1146.3/..



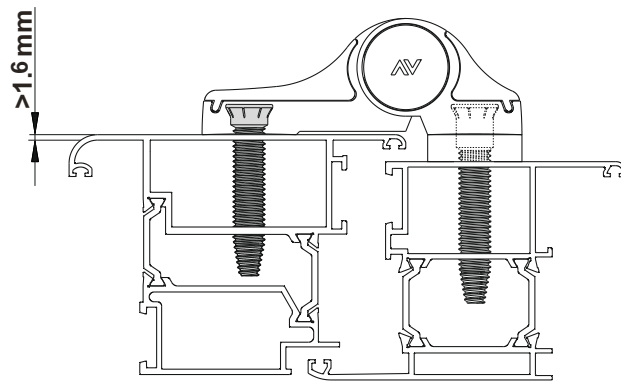
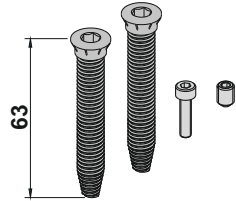
Internal opening



1145.755/.755X

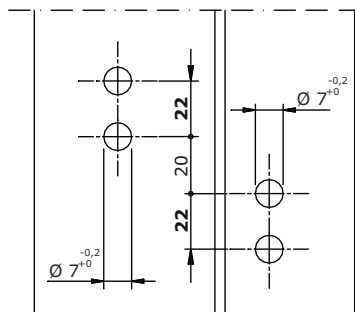
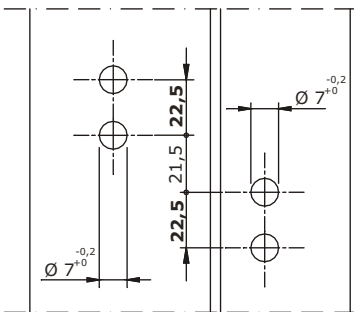


1145.757/.757X

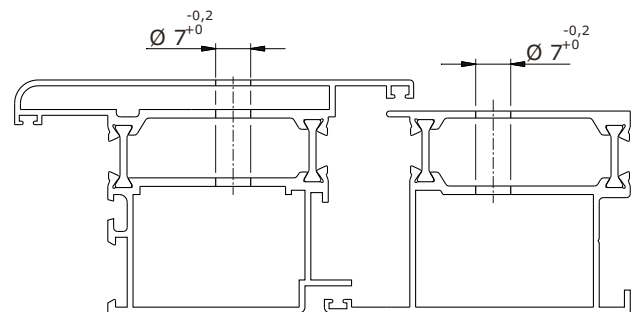


1145/..

1146/..

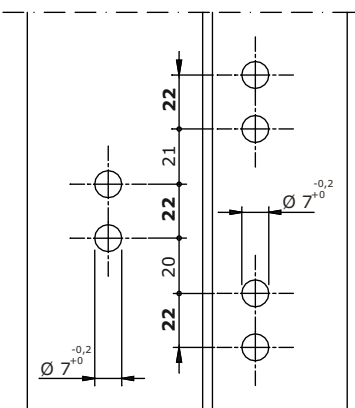
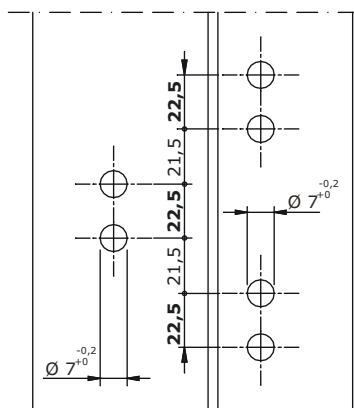


External opening

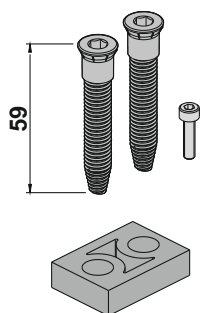
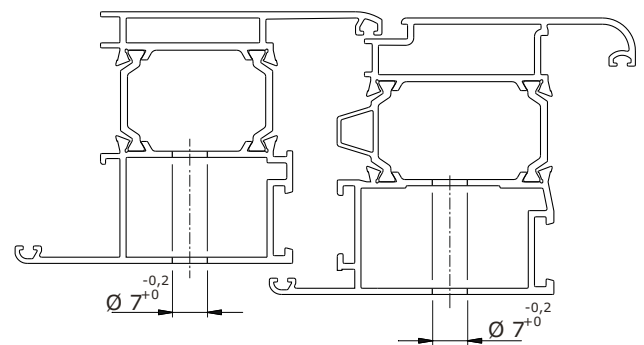


1145.3/..

1146.3/..



Internal opening

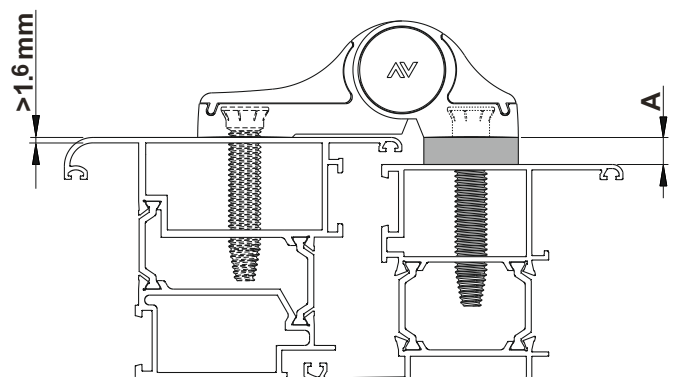


Galvanized screws

A mm	Article
7	1145.752/7
8.5	1145.752/8
10	1145.752/10

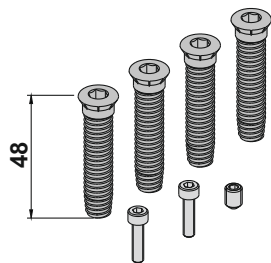
Stainless steel screws

A mm	Article
7	1145.753/7
8.5	1145.753/8
10	1145.753/10

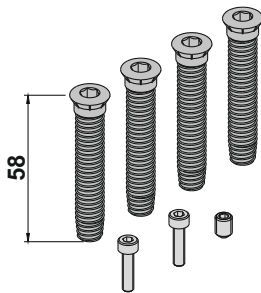


STANDARD fixing kits

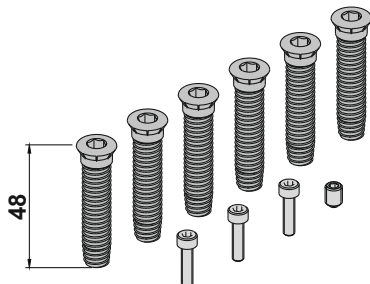
1145.721/1145.721X



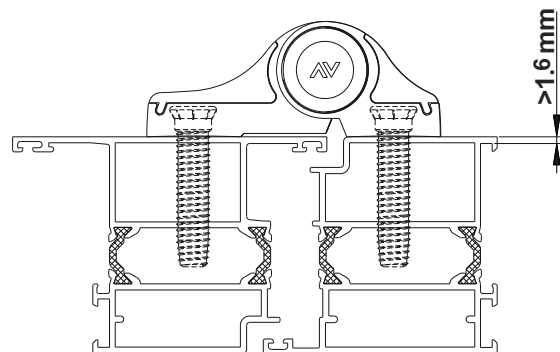
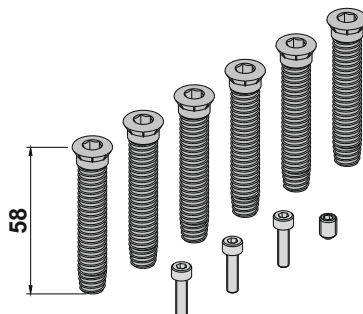
1145.725/1145.725X



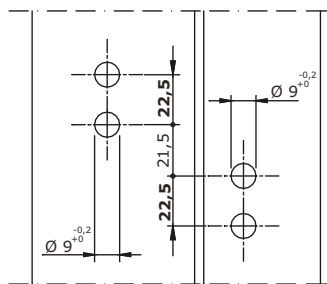
1145.723/1145.723X



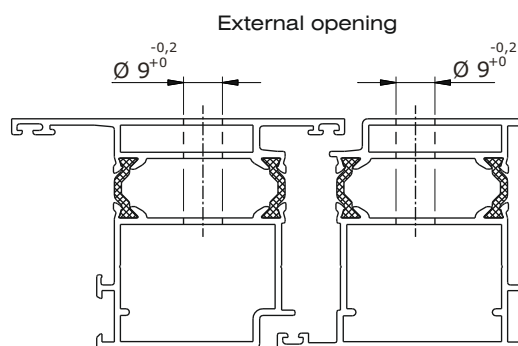
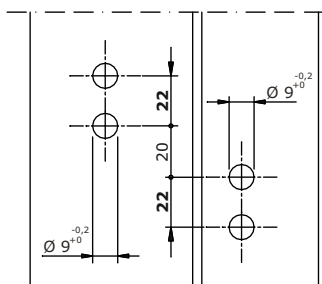
1145.727/1145.727X



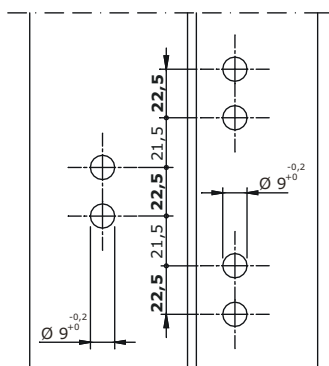
1145/..



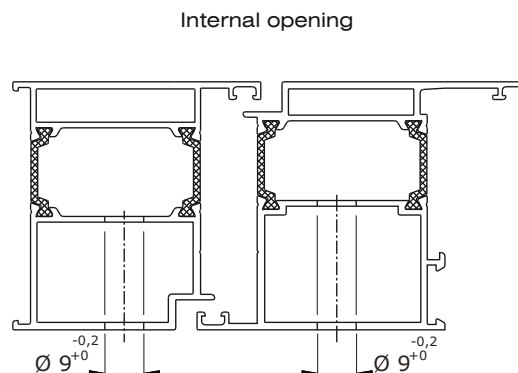
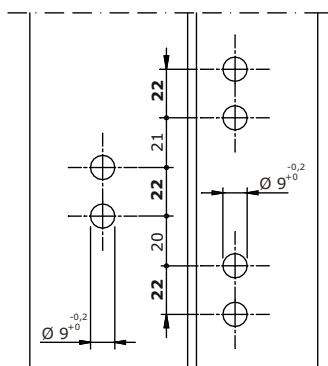
1146/..



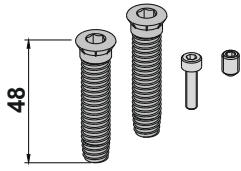
1145.3/..



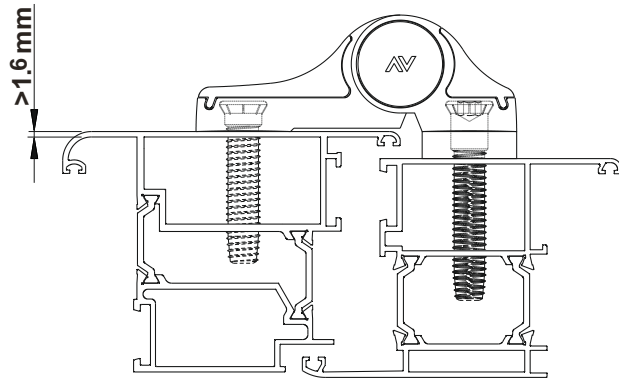
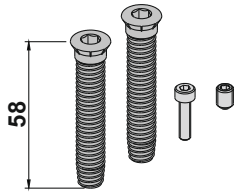
1146.3/..



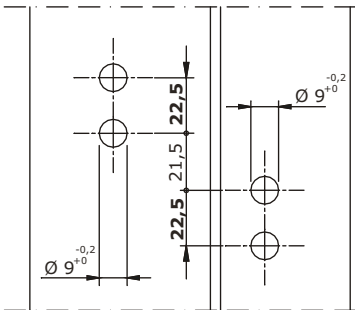
1145.765



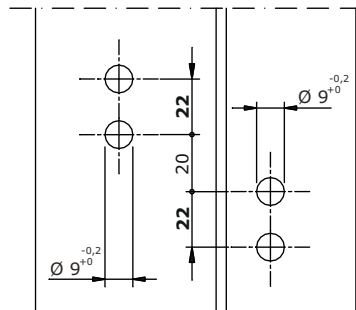
1145.767



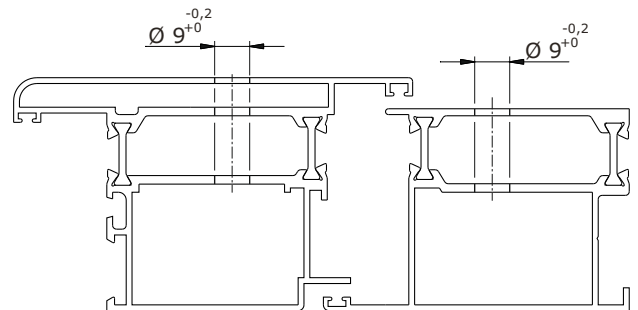
1145./..



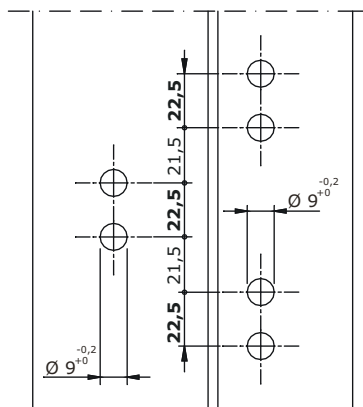
1146./..



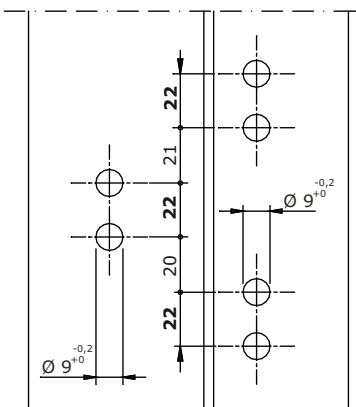
External opening



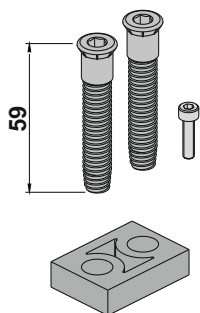
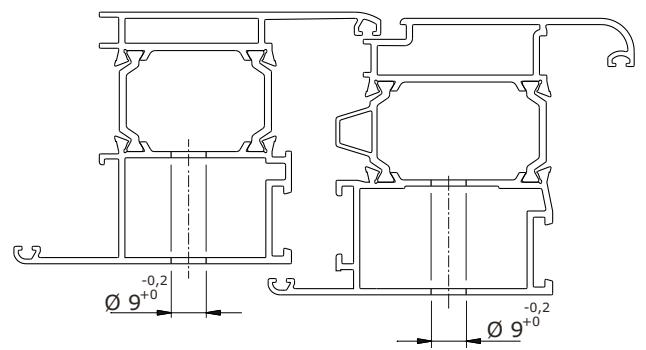
1145.3./..



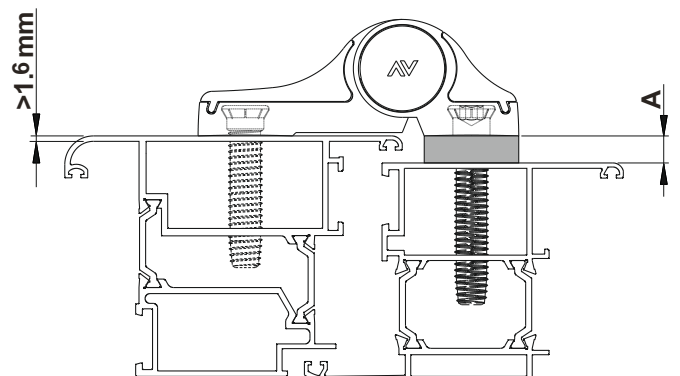
1146.3./..



Internal opening



A mm	Article
7	1145.762/7
8.5	1145.762/8
10	1145.762/10





Savio S.p.A.

Via Torino, 25 (s.s. 25) - 10050 Chiusa S. Michele (TO)

tel. +39 011 964 3464 - fax +39 011 964 3474

www.savio.it - export@savio.it

