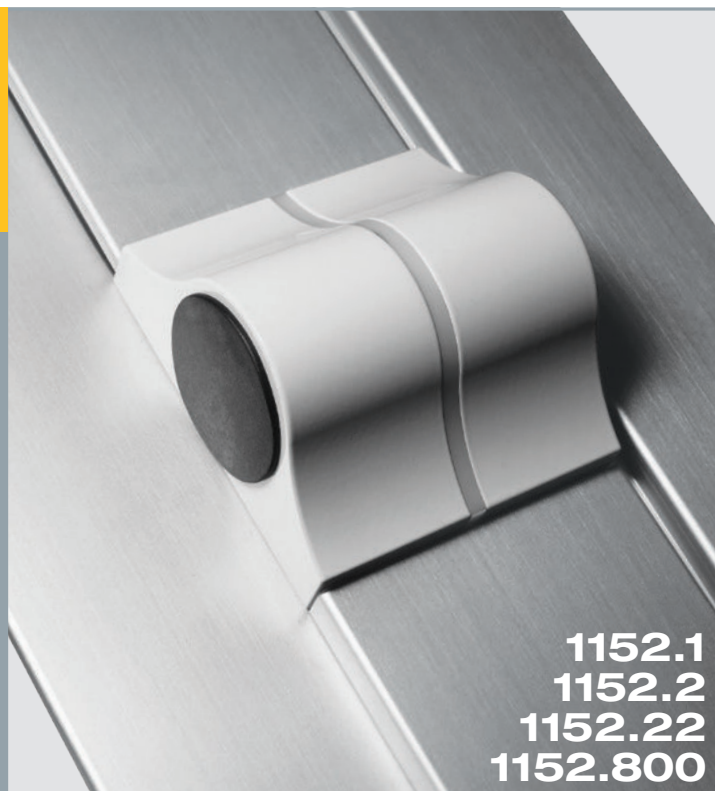


PIVOTY

New hinge for pivot windows

MAIN FEATURES:

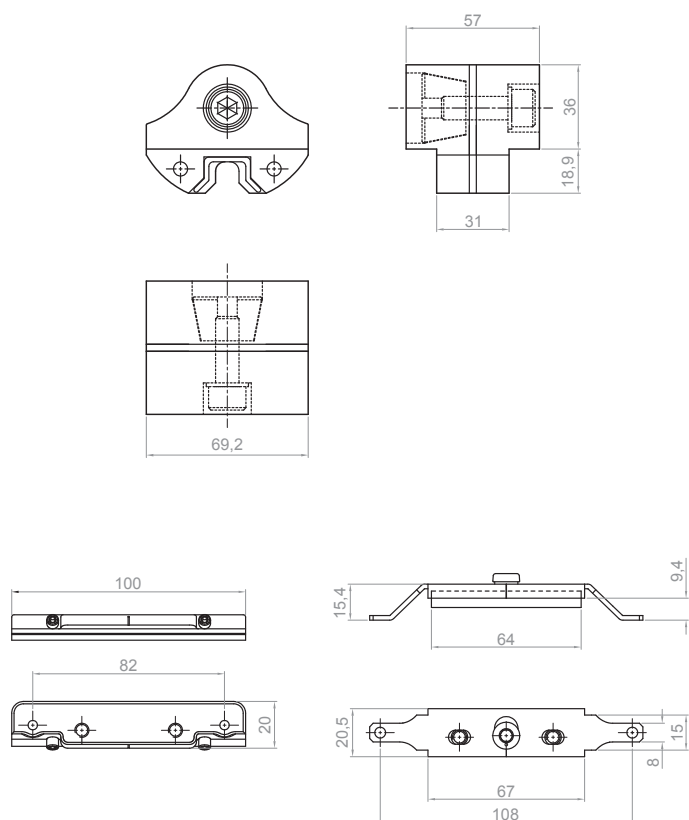
- Excellent versatility; a few models cover most application requirements;
- Restyled aesthetics, smoother lines;
- Simplicity and sturdiness;
- Fixing with counter-plates;
- Vertical adjustment +/- 1.5 mm;
- Easily adjustable pivot;
- Broad Wide range of applications;
L = 1600 x H = 2200 mm
- Great capacity:
horizontal axis up to 120 Kg,
vertical axis up to 80 Kg;



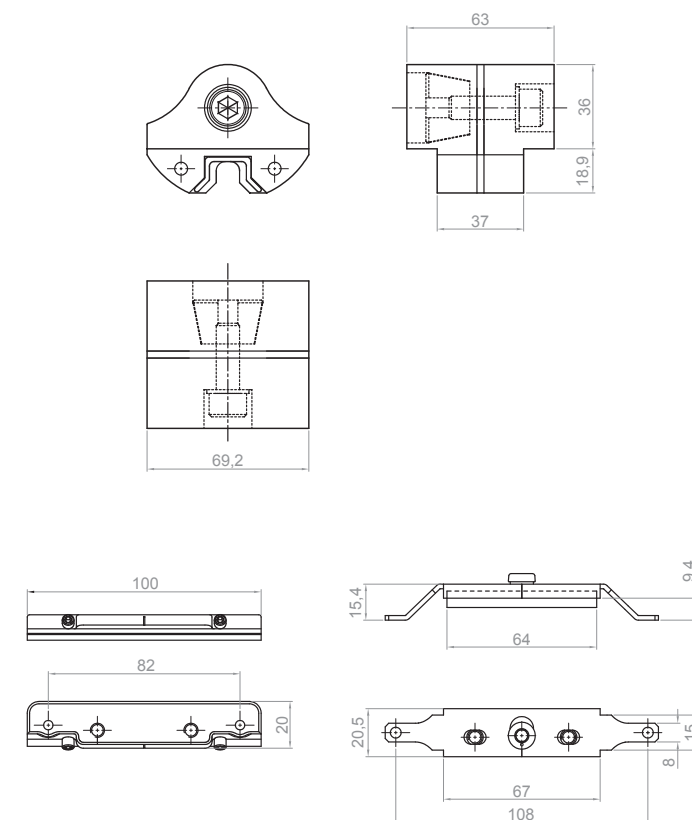
1152.1
1152.2
1152.22
1152.800

TECHNICAL DRAWINGS

1152.1



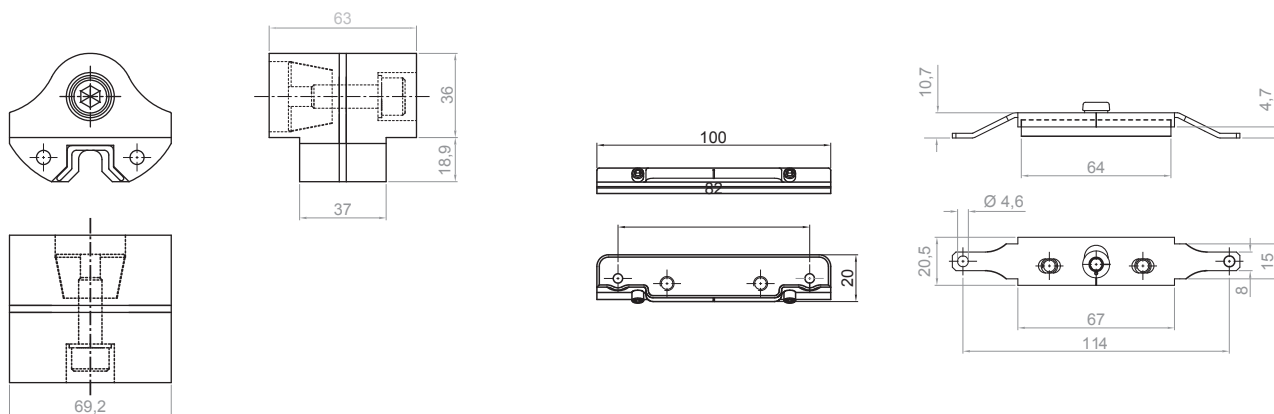
1152.2



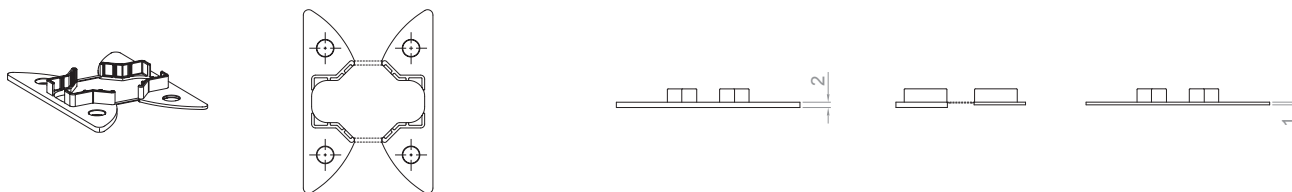
PIVOTY
New hinge for
pivot windows

1152.1
1152.2
1152.22
1152.800

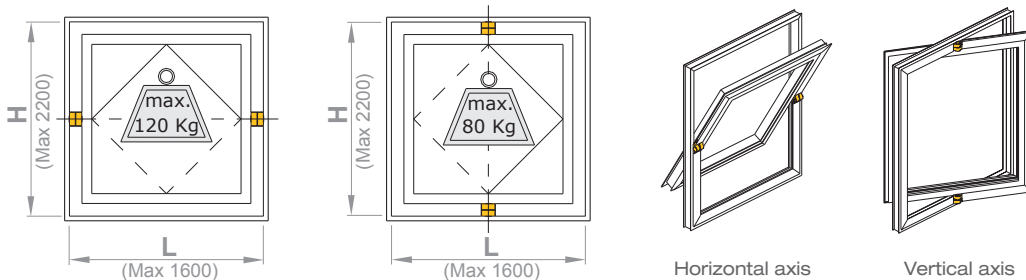
1152.22



1152.800



RANGE OF APPLICATION



Horizontal axis:
Max. door capacity = 120 Kg
Max. width = 1600 mm
Max. height = 2200 mm
Vertical axis:
Max. door capacity = 80 Kg
Max. width = 1600 mm
Max. height = 2200 mm

Capacity has been increased up to 120 Kg for the horizontal axis and up to 80 Kg for the vertical axis.

ARTICLE	NAME	DESCRIPTION	STANDARD FINISH	PCS. IN
1152.1	PIVOTY	(patent.) Pair of hinges for pivot window	1013, 9005, 9010, BL10, BR5, C, F, NE, SILV	2
1152.2	PIVOTY	(patent.) Pair of hinges for pivot window	1013, 9005, 9010, BL10, BR5, C, F, NE, SILV	2
1152.22	PIVOTY	(patent.) Pair of hinges for pivot window	1013, 9005, 9010, BL10, BR5, C, F, NE, SILV	2
1152.800		Spacers		40

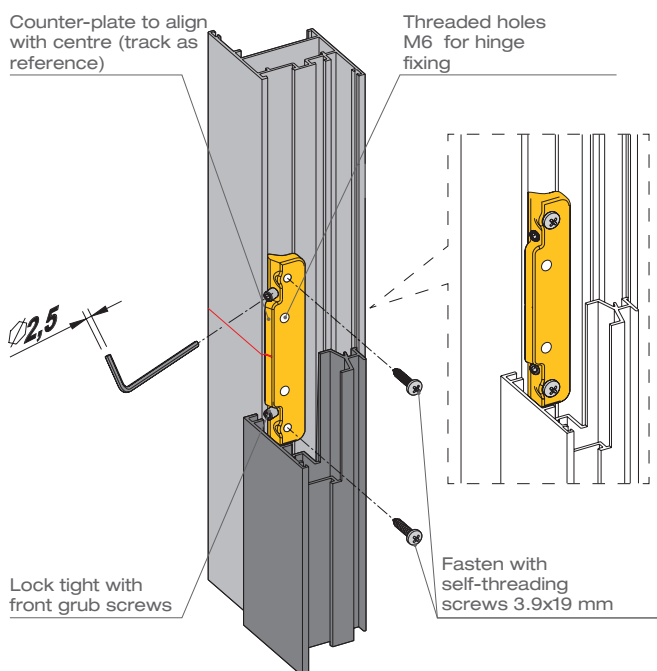
PIVOTY

New hinge for pivot windows

1152.1
1152.2
1152.22
1152.800

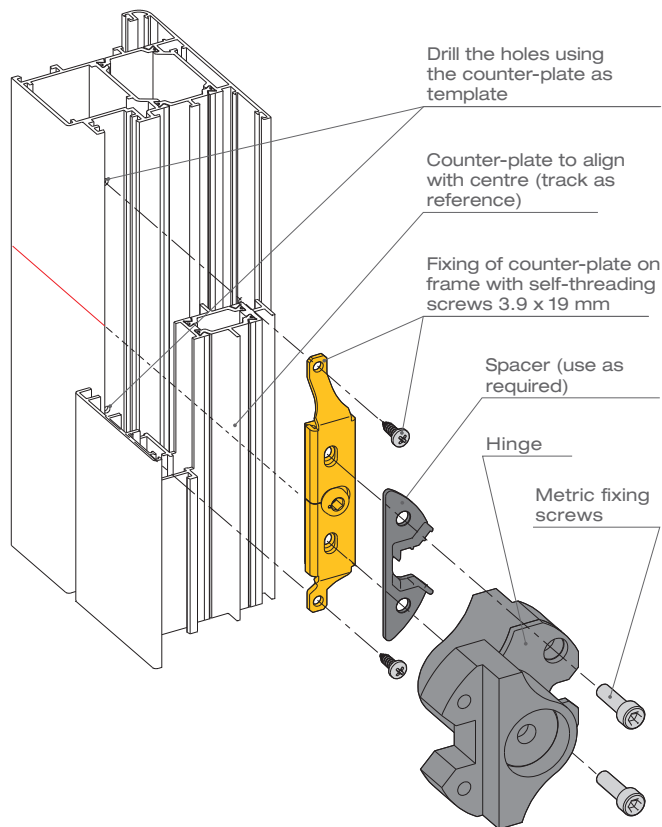
DESCRIPTION OF FIXING ON FRAME

Fixing the hinge with the aid of a counter-plate and metric screws ensures a stable and accurate fix. There is no need to pre-drill holes, because the counter-plate can be used as a template.



DESCRIPTION OF FIXING ON DOOR

Assembly with the counter-plate and metric screws ensures a stable and accurate fix. There is no need to pre-drill holes, because the counter-plate can be used as a template. Align the track on the counter-plate with the centre of the door.



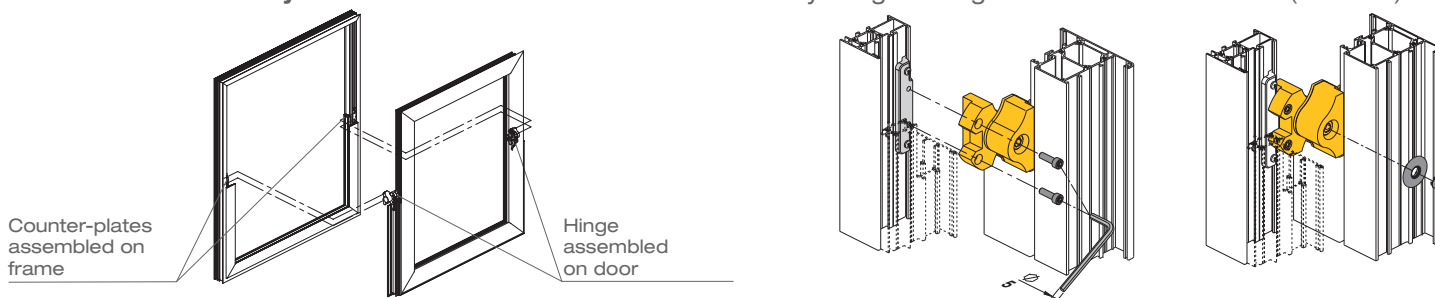
ASSEMBLY

The counter-plates facilitate hinge assembly.

Door: the counter-plate is directly fastened with self-threading screws onto the door using a guide track that must correspond with the centre of the door. At this point, the hinge can be fixed to the counter-plate with the supplied metric screws.

Frame: using a guide track (must match frame centre), position the counter-plate with the front grub screws. Then, complete fastening with the self-threading screws.

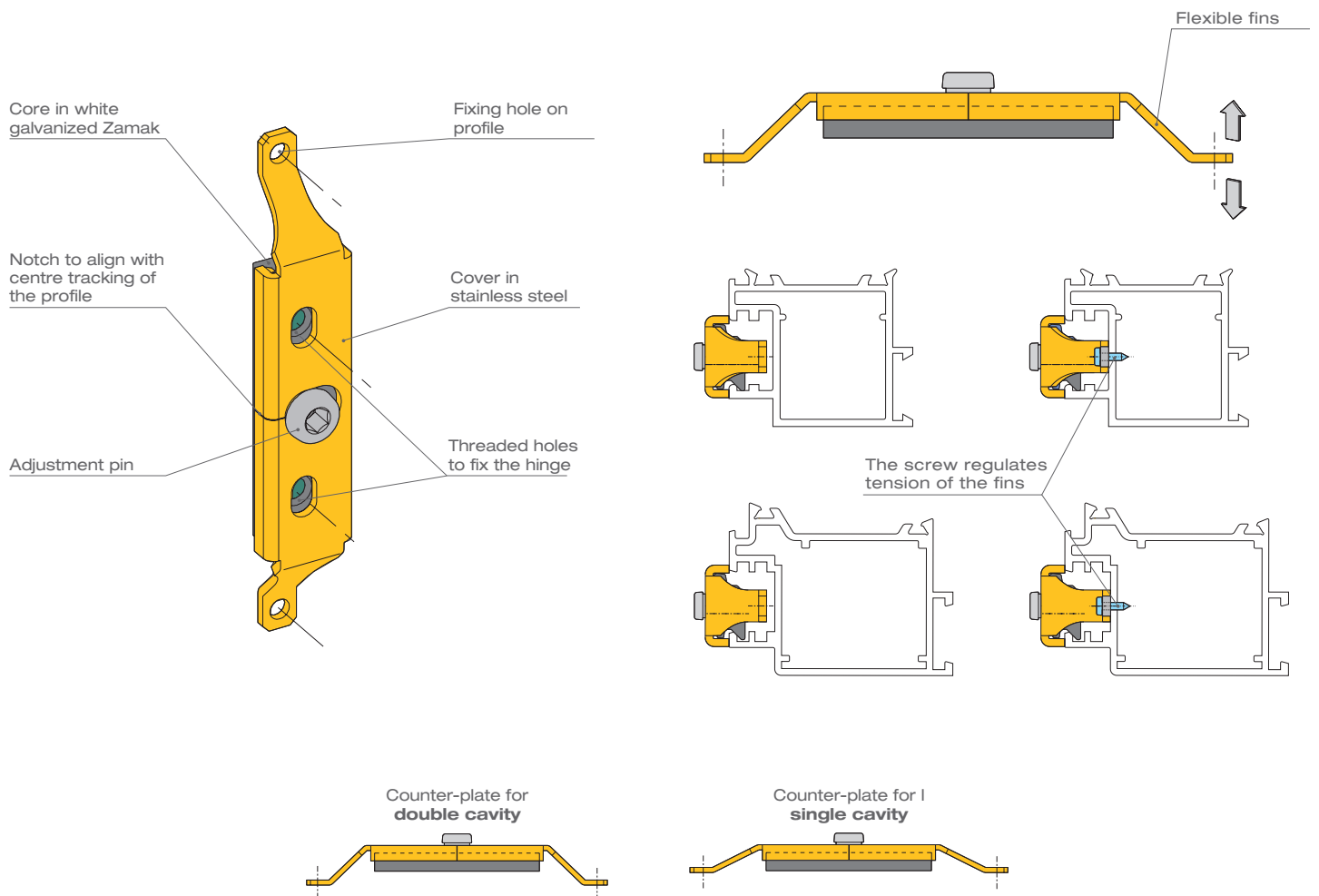
Door/frame assembly: The door can be assembled to the frame by fixing the hinges with the metric screws (included).



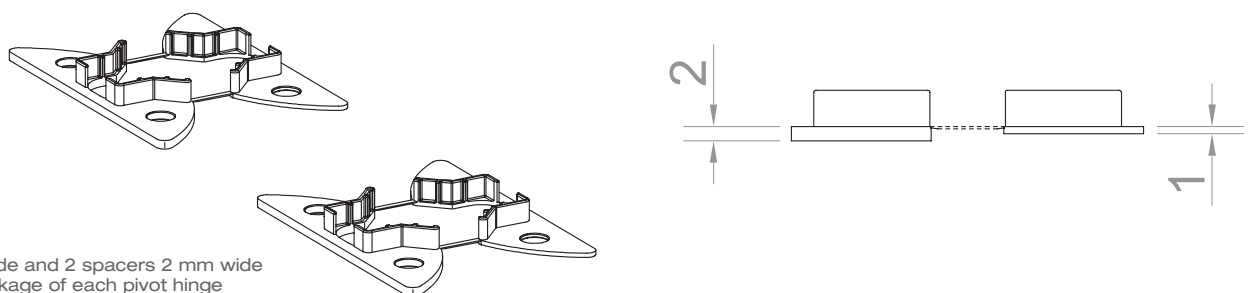
PIVOTY
New hinge for
pivot windows

1152.1
1152.2
1152.22
1152.800

DESCRIPTION OF THE FRAME COUNTER-PLATES



DESCRIPTION OF NYLON SPACERS



PIVOTY

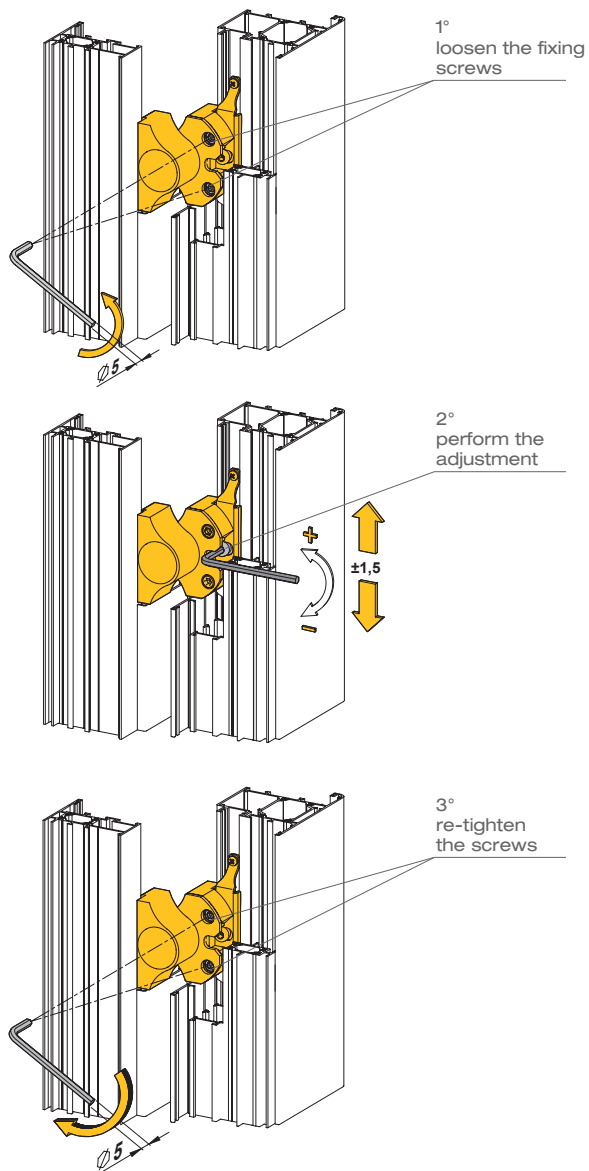
New hinge for pivot windows

1152.1
1152.2
1152.22
1152.800

ADJUSTMENTS

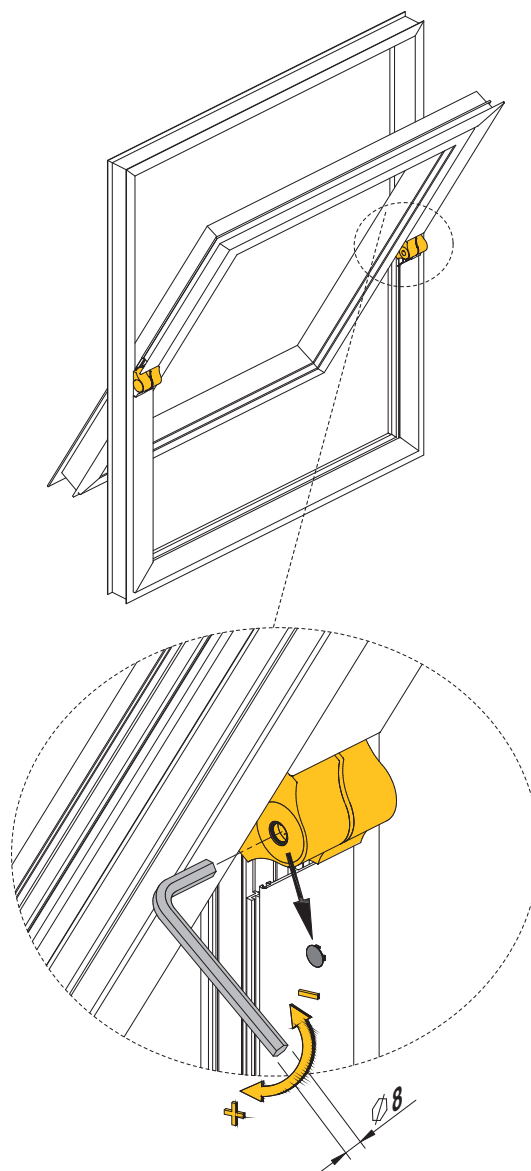
Height adjustment

Hinge height can be adjusted to easily align the door without the hassle of disassembling it. Simply turn the door upside-down, loosen off the fixing screws and work the eccentric bush to lift or lower the door (± 1.5 mm), then tighten the screws back on.



Pivot adjustment

Pivot tightness can be adjusted by simply working the screw, either tightening or loosening it, depending on requirements.



The system will soon be completed with a perimeter closure.

PIVOTY

New hinge for pivot windows

1152.1
1152.2
1152.22
1152.800

ADAPTABILITY

1152.1

(*) in package

Extruder	Profile	1 mm (*)	2 mm (*)	Art. 1152.800	
				1 mm	2 mm
ABITHAL SERVICES	GREEN 45 overlapped		•		•
ABITHAL SERVICES	KEEPER 53/60		•		•
ALL.CO	EXPORT 45		•		•
ALL.CO	EXPORT 45 TT		•		•
ALL.CO	EXPORT 50		•		•
ALL.CO	EXPORT 50 TT		•		•
ALL.CO	EXPORT 51 TT		•		•
ALL.CO	EXPORT 68 TT		•		•
ALL.CO	K 64 T		•		•
ALL.CO	K 70 T		•		•
FIN.AL	EXPORT 45		•		•
FIN.AL	EXPORT 45 T		•		•
FIN.AL	EXPORT 50		•		•
FIN.AL	EXPORT 50 T		•		•
HYDRO	DOMAL EXTRATERMIC 62	•	•		
HYDRO	STOPPER PG	•		•	
METRA	NC 45 INT.				
METRA	NC 45 STH				
METRA	NC 55 INT.				
PONZIO SUD	WINDSTOP 45		•		•
PONZIO SUD	WINDSTOP 45 TT		•		•

1152.2 e 1152.22

(*) in package

Extruder	Profile	1152.2	1152.22	1 mm (*)	2 mm (*)	Art. 1152.800	
						1 mm	2 mm
ALL.CO	ALCOTEC 72	•			•		•
ALLU SISTEMI	CX 600	•					
ALLU SISTEMI	CX 700	•					
ALSISTEM	PLANET 45	•		•			
ALSISTEM	PLANET 62 TT	•		•			
ALSISTEM	PLANET 72 HT	•		•			
ALU-MEC	SYNTHESIS	•			•		•
ETA	ROAD 520 TT CE	•					
ETA	ROAD 600 TT CE	•					
ETA	START 410	•					
ETA	START 560 TT	•					
GEAL	HF 580	•					
GEAL	HF 600	•					
GEAL	HF 700	•					
HYDRO	BREAK PA 52	•		•			
HYDRO	BREAK PA 63	•		•			
HYDRO	BRIGHT PA 70S	•		•	•		
HYDRO	BREAK PA 70S	•		•			
HYDRO	DOMAL TOP	•		•			
IBLEA COLOR	VUERRE 53 TT	•					
INDINVEST	GOLD 400	•					
INDINVEST	GOLD 450	•					
INDINVEST	GOLD 450 TT	•					
INDINVEST	GOLD 490	•					
INDINVEST	GOLD 500	•					
INDINVEST	GOLD 502 HC	•					
INDINVEST	GOLD 600	•					
INDINVEST	GOLD 600 HC-E	•					
INDINVEST	Plathina 60 Classica	•					
INDINVEST	Plathina 69 Classica	•		•			
INDINVEST	Plathina 75 Classica	•		•			
METRA	NC 50 I	•					
METRA	NC 50 STH	•					
METRA	NC 68 STH	•					
PROFILATI	EKU 53	•					
PROFILATI	EKU 52 TT		•				
PROFILATI	EKU 62 TT	•					
PROFILATI	EKU 64 TT	•					
PROFILATI	EKU 66 TT	•					
PROFILATI	EKU 78 TT		•				
TP PROFILATI	EKOS 50 TH	•					
TP PROFILATI	EKOS 66 TH	•					
TP PROFILATI	EKOS 68 THR	•					
TP PROFILATI	EKOS 75 TH	•					
TP PROFILATI	EKOS 85 TH	•					
SAPA	ALFILA 45 RPT		•				

Assembling the spacers:

If indicated in the table, for each single hinge, use the spacers included in the package or supplied separately (art. 1152.800) as shown below:

