

AIRCARE



Controlled Mechanical Ventilation

Tailored to your needs

E3 THESAN

Nothing protects you like Aircare

Advanced technology

Aircare is the innovative range of decentralized systems for Controlled Mechanical Ventilation (**CMV**) designed to ensure proper **air circulation within homes**. This system is engineered to prevent excess humidity indoors, reducing the risk of mold formation and thus contributing to maintaining a healthy environment. Moreover, Aircare offers high energy efficiency, ensuring **heat recovery of up to 82%** and reducing energy consumption.

Advanced thermal and acoustic insulation

Blocks smog, external noise, and temperature fluctuations, guaranteeing comfort and silence.

Smart humidity control

Constantly monitors humidity levels to maintain balanced air quality.

Protection against mold and condensation

Prevents mold formation, contributing to the healthiness of the indoor environment.

Guaranteed daily well-being

Keeps spaces dry, healthy, and pleasant to live in all year round.



Protect your health from invisible indoor air pollutants

Did you know?

The air quality we breathe at home, school, or office is often worse than outdoor air. The lack of proper air exchange promotes the accumulation of harmful agents that we cannot perceive.

Some key facts about indoor pollution:

We spend 90% of our time indoors every day, where pollution builds up (homes, offices, schools)¹

20% of buildings in many European countries, the USA, and Canada have problems with humidity and mold²

2 million premature deaths worldwide each year are caused by diseases linked to indoor air pollutants³

40.000 deaths per year in Europe are associated with the use of domestic gas stoves (NO₂, CO, benzene)⁴

The air inside homes, offices, and schools is more polluted than outside air.

Opening windows is not enough: it exposes interiors to temperature fluctuations, energy waste, noise, drafts, even unwanted intrusions, and most importantly, does not guarantee any filtration of incoming air.

On the other hand, keeping everything closed causes the opposite effect: air stagnates, pollutants accumulate, the risk of mold and bad odors grows, and the so-called "sick building syndrome" is favored. A seemingly protected environment can become unhealthy, undermining our daily well-being.



How to protect yourself?

Renew the air with
Ductless Controlled Mechanical
Ventilation system with heat recovery.

According to the European guidelines of the World Health Organization 2009 on indoor air quality in homes, **it is necessary to ensure adequate air renewal** to guarantee minimum comfort and protect against diseases related to excess indoor pollutants.

Aircare is the ideal solution: it filters, purifies, and delivers air that is "ready to breathe."

1 European Union - ECA Report No. 23 Ventilation, Good Indoor Air Quality and Rational Use of Energy

2 WHO - Guidelines for Indoor Air Quality: Dampness and Mould - 2009

3 WHO - World Health Organization

4 CLASP Report The Guardian - 2024



Works for you constantly

RENEW THE INDOOR AIR

Protect your health from harmful and imperceptible pollutants by renewing indoor air. But with clean air.

Aircare renews indoor air in just 2 hours.

FILTERS INDOOR AIR

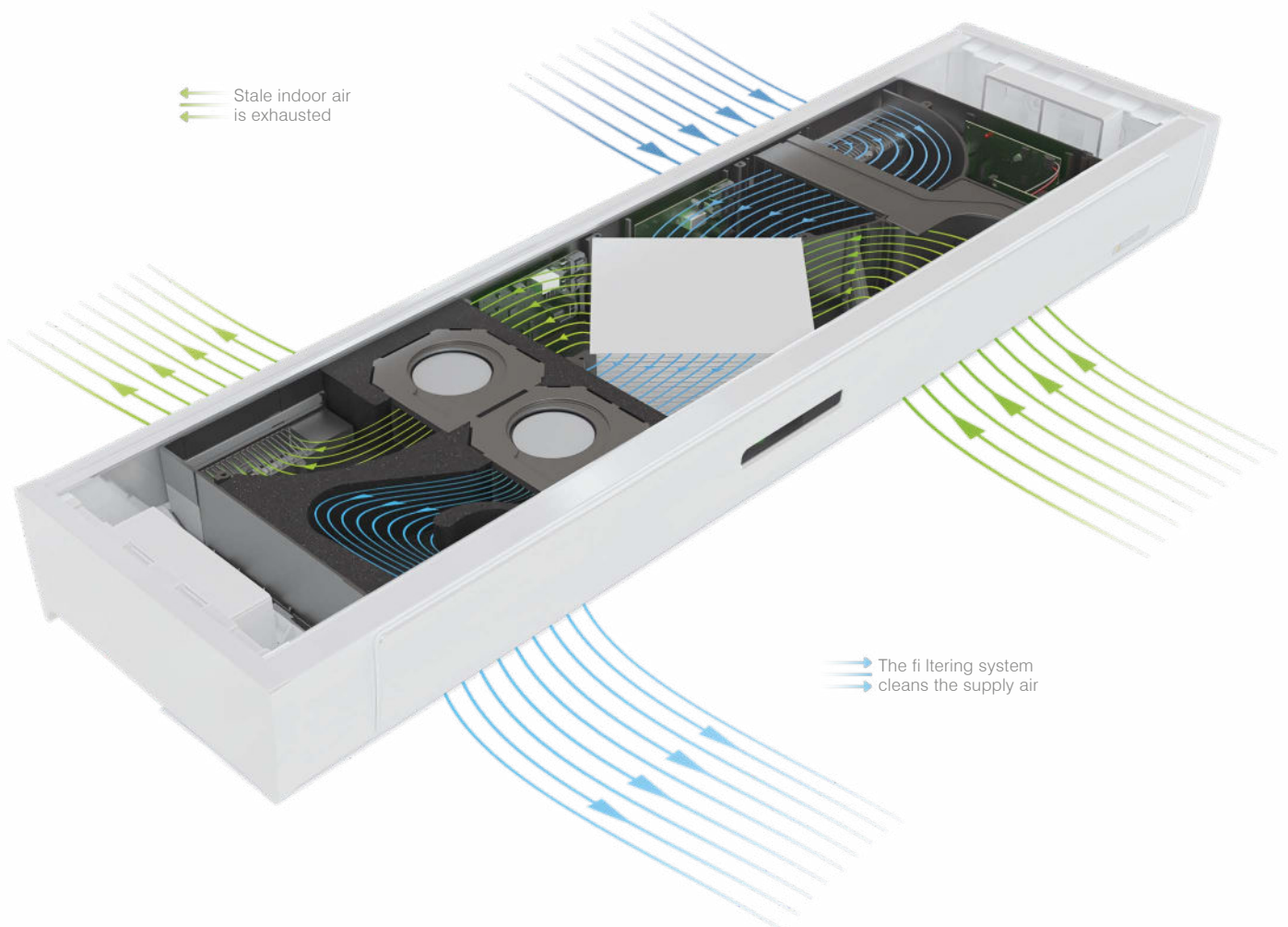
If the outside air is harmful, you need to filter it before breathing it.

Aircare is the most efficient filtration system capable of simultaneously blocking smog and noise to protect your health, filtering up to 99.9% of pollutants present.

SAVE HOME ENERGY

Opening windows doesn't improve air quality and wastes energy. Want clean indoor air without spending too much?

Aircare creates wellbeing while reducing energy consumption. It recovers ventilation heat through a heat exchanger, increasing comfort without raising your energy bill.



Aircare has everything you need



Complete indoor air exchange every 2 hours.



Humidity control.



High filtration levels up to H13.



Heat recovery up to 80%.



Control via app or remote control.



Five speeds with automatic program.



Power, simplicity and control

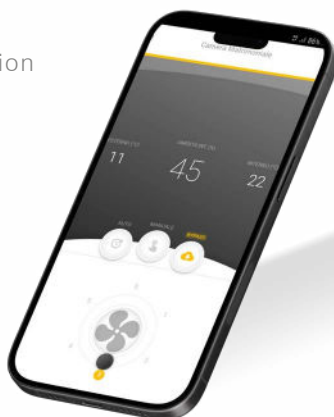
You can use the handy **remote control** to:

- Turn the system on/off
- Select the automatic mode
- Increase/decrease the speed
- Activate/deactivate the BYPASS function



You can control it via **app** (Android e IOS) to:

- Remotely manage all functions
- Customise the configuration
- Constantly monitor indoor temperature
- Control and manage indoor humidity





Aircare filters a lot. Filters for long. Filters for real.

Aircare is **the most efficient filtration system on the market**, capable of blocking both smog and noise to protect your health.

Thanks to its **multi-layer HEPA filter**, it removes **100% of particles** larger than 10 microns, as well as pollen, mites, spores, and bacteria. It also helps reduce CO₂, excess relative humidity, and volatile organic compounds (VOCs), improving indoor air quality. The incoming air is filtered and brought to the same temperature as the room, preventing thermal shocks and ensuring proper air exchange.



IN

INQUINAMENTO INTERNO

- CO₂
- SMOKE
- MOULD AND CONDENSATION
- HUMIDITY
- VOCs

OUT

INQUINAMENTO ESTERNO

- CO₂
- BACTERIA
- HC HYDROCARBONS
- POLLEN
- NOISE
- SMOG
- HUMIDITY
- PM_{2,5}
- PM₁₀

Aircare is a designer object signed by *pininfarina*

Aircare stands out for its essential and elegant design, signed by **Pininfarina**, making it a true piece of furniture that blends harmoniously into any setting.

It is a **revolutionary and almost invisible solution**: imperceptible from the outside, while inside it has a technological, clean, and sophisticated look.

Perfect for:

- residential spaces (apartments, villas)
- non-residential spaces (shops, bars, offices, hotels, patient rooms in healthcare facilities, and yachts)

Compact and lightweight, it is easy to install and adapts to any architectural or interior design style, always ensuring maximum functionality with a touch of elegance.





ESW



ESI



ESL

Aircare ES - uncompromising air exchange

Aircare ES is equipped with an **enthalpy heat exchanger** that allows the recovery of both sensible and latent heat, ensuring:

- Maximum thermal efficiency (82%).
- Blocks smog, external noise, and temperature fluctuations, ensuring comfort and silence.

Enthalpy technology could reach up to 90% energy efficiency, but Aircare ES prioritises the proper intake of fresh air, as required by regulations, maintaining an **ideal balance between efficiency and true well-being**.

Aircare ES integrates perfectly with any heating or air conditioning system, whether already installed or in the design phase.

Moreover, it is **extremely easy to control, use, and maintain**, guaranteeing comfort and healthy air without any compromise.

Aircare ES the solution for every need



AIRCARE ESW - WALL MOUNTED

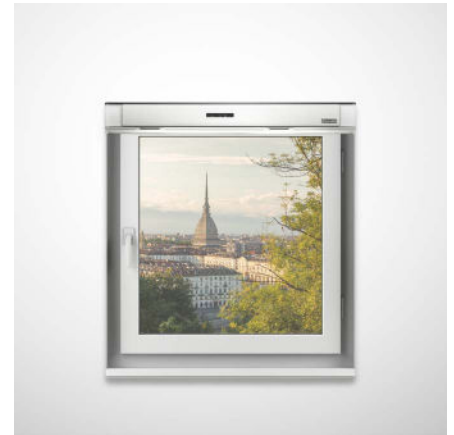
Ideal for already furnished homes, it does not require **masonry work or window replacement**:

- It can be easily installed with just two simple holes in the wall.
- Slightly protruding, it enhances the minimal design and adaptability to any interior style.



AIRCARE ESI - RECESSED

It integrates seamlessly into the **insulated subframe**, the **perimeter wall** or the **shutter box** (if present), without reducing the glazed surface and without requiring the replacement of window frames.



AIRCARE ESL - FRAME FITTED

The perfect choice when **replacing window frames**:

- Quick installation without invasive masonry work.
- Requires only 10 cm of space between the frame and the subframe.
- No additional cost: the window installer will install both the window and the Aircare ESL simultaneously.

Measurements taken in compliance with EN 13141-11



Sound pressure

LPA27dB at 3m
in free-field conditions
(less than the background
noise in a library)



Sound insulation

Dnew = 53 dB
with hoods open
Dnew = 55 dB
with hoods closed

Sound insulation of a very
efficient window
Dnew=45dB



Thermal transmittance

Max 0,3 W/m²K

(1.5 W/m²K for an
efficient window)



Humidity conditions

No water drainage
required



Power supply

110-230V / 50 - 60 Hz



Safety class

II



Degree of protection

IPX4



Acceptable operating temperature

Min -20° / Max 50°

(*) Speed	(*) Flow rate [m³/h]	(*) Sound power level LwA [m³/h]	(**) Sound pressure Lp (at 3m under free-field conditions) [dBA]	(***) Sound pressure Lp (normalised environment) [dBA]	(*) Thermal efficiency %	Power consumption [W]
1	15	37	19	30	82	4,6
2	20	40	22	33	-	5,8
3	30	45	27	38	74	10,3
4	35	48	30	41	-	14,6
5	41	51	33	44	69	20,6

(*) Measurements taken in compliance with EN 13141-8

(**) Data provided to enable comparison with the declarations of competitors

(***) This evaluation refers to measurements taken in the middle of a room in a normalised environment. Here, a normalised environment has a reverberation time of 0.05 seconds.



AEW



AE

Aircare AE - eliminates moisture and unpleasant odors

Aircare AE is the ideal solution to improve air quality by **removing moisture and bad odors**, perfect for windowless spaces such as bathrooms and kitchens.

It can be activated **manually or automatically** with a presence sensor or a hygrometer that can turn the air extraction on or off on demand.

Aircare AE is the perfect complement to Aircare ES, working together to ensure **healthier, drier, and more comfortable environments**.

Aircare AE two versions for every need



AIRCARE AEW - WALL MOUNTED

The intelligent control of wall-mounted air extraction.

Aircare AEW wall-mounted ensures the **rapid and effective removal of humidity and unwanted odors** from small rooms such as bathrooms and kitchens in any building, whether newly constructed or renovated.

Together with Aircare ES, Aircare AE is the decentralized Mechanical Ventilation and air extraction system that enables the creation of buildings optimized for comfort, health, and energy savings.

AIRCARE AE - RECESSED

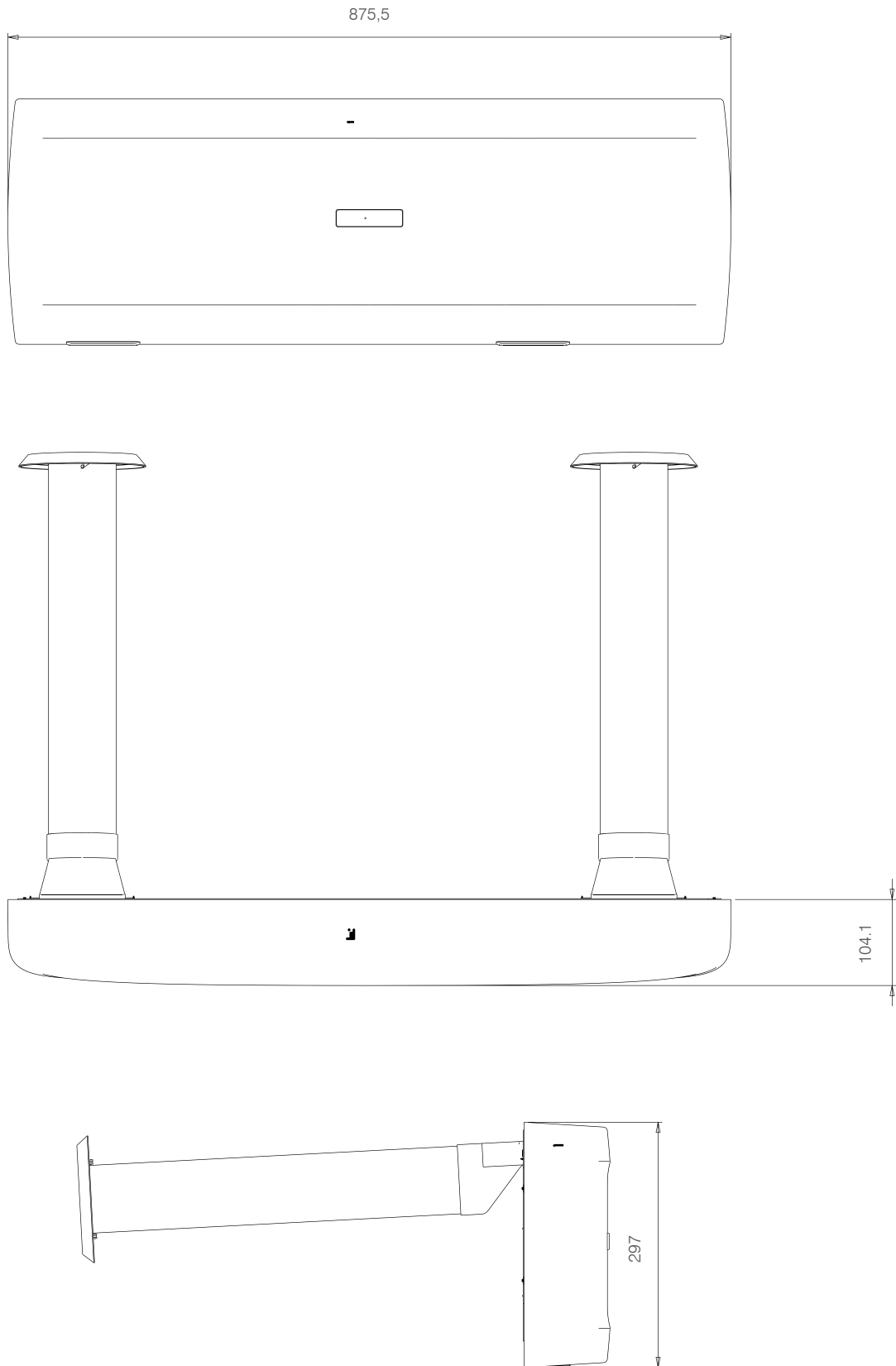
The intelligent control of recessed air extraction.

Aircare AE recessed ensures **rapid and effective removal of humidity and unwanted odors** from bathrooms and kitchens in residential buildings, offices, hotels, schools, whether newly built or renovated.

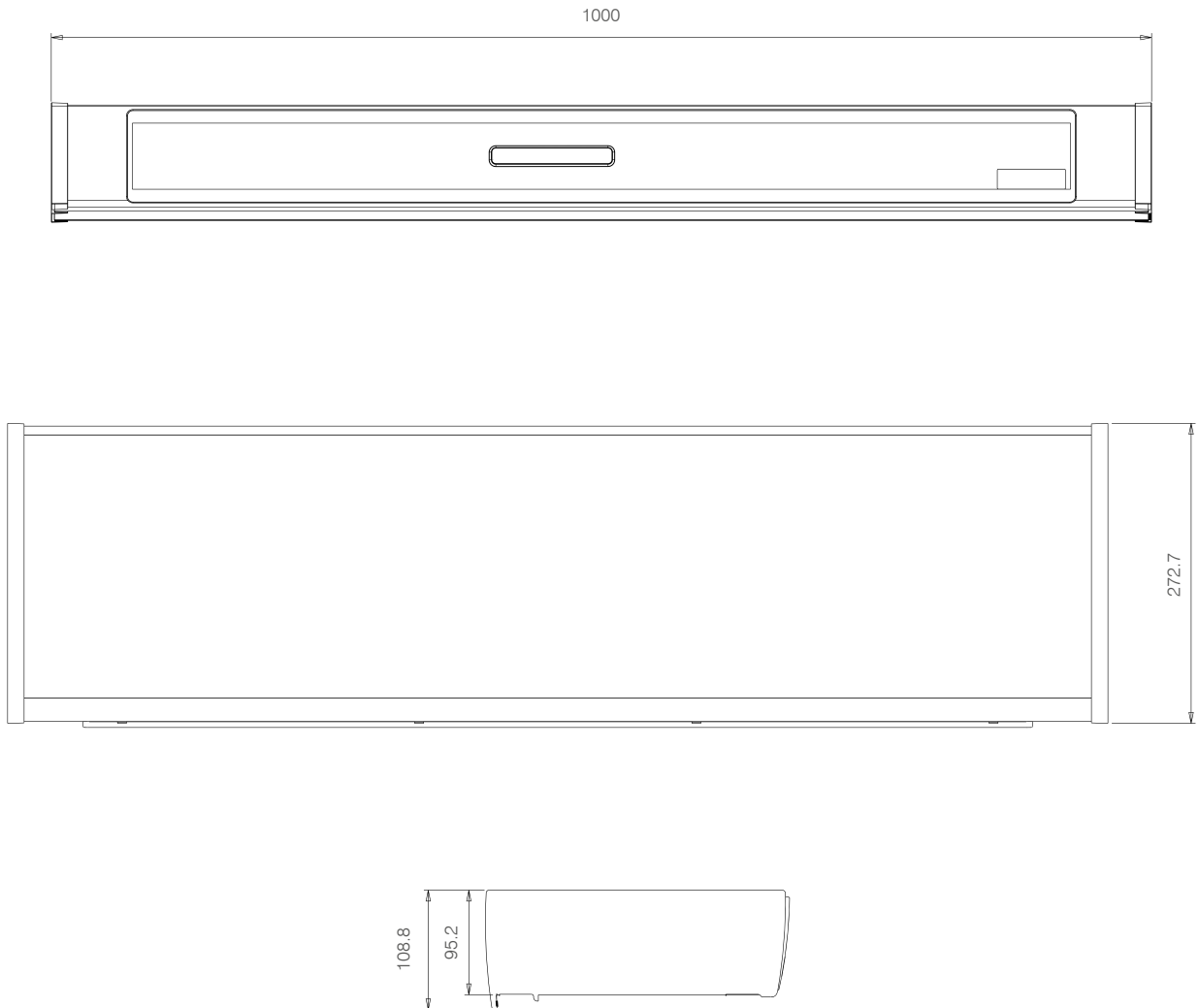
Aircare AE can be operated **manually or automatically** with a presence sensor or a hygrometer that can activate or stop air extraction on demand. Together with Aircare ES, Aircare AE enables the creation of buildings optimized for comfort, health, and energy savings.



AIRCARE ESW WALL MOUNTED



AIRCARE ESL FRAME-FITTED

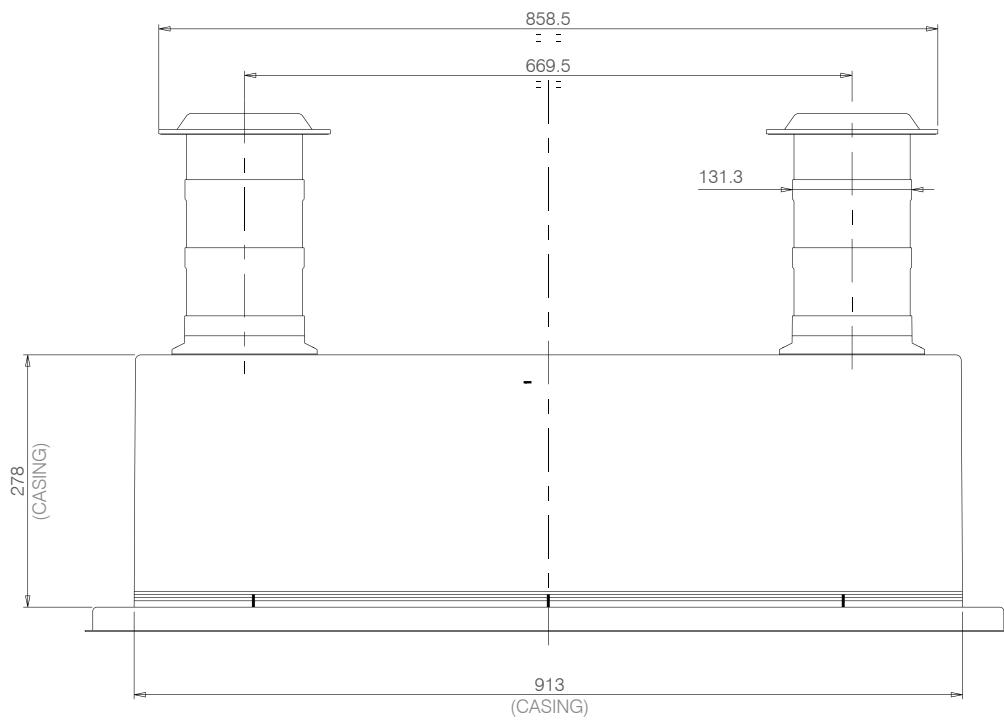
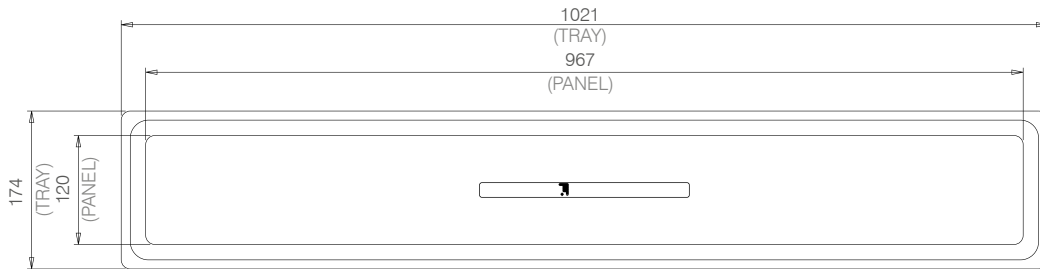


Minimum frame width of 1 m.
For profiles up to 170 mm thick.

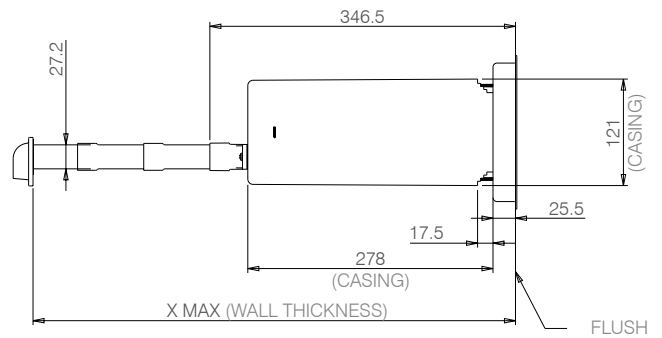
Want to discover other models? Visit our website www.thesan.com

AIRCARE ESI RECESSED

Horizontal with flush panel



X MAX mm	PORT L = 70 mm	EXTENSION L = 75 mm
396	1 + 1	NO
471	1 + 1	1 + 1
546	1 + 1	2 + 2
621	1 + 1	3 + 3
696	1 + 1	4 + 4
771	1 + 1	5 + 5
846	1 + 1	6 + 6



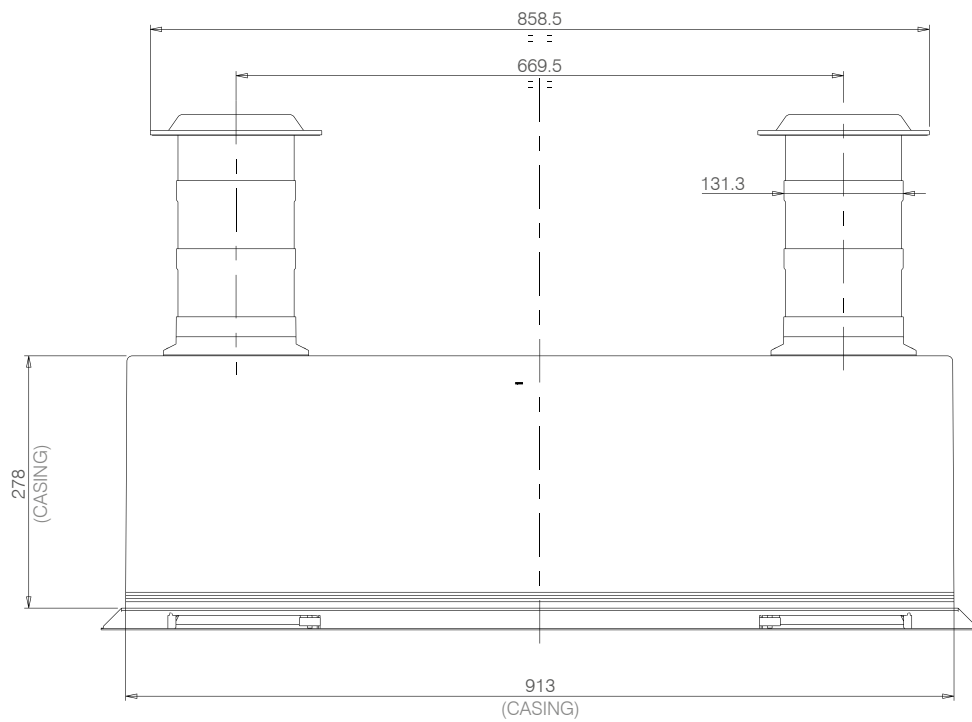
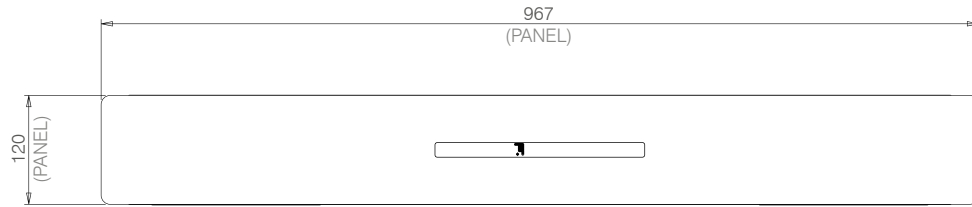
➡ Version also installable vertically with side outlet

➡ Also available as an extractor version, Aircare AE

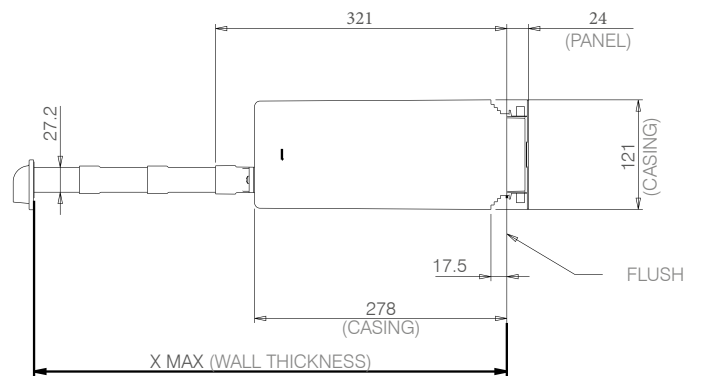
If the wall is thinner than the thicknesses in the table, just file down the extension or the port when installing.

AIRCARE ESI RECESSED

Horizontal with protruding panel



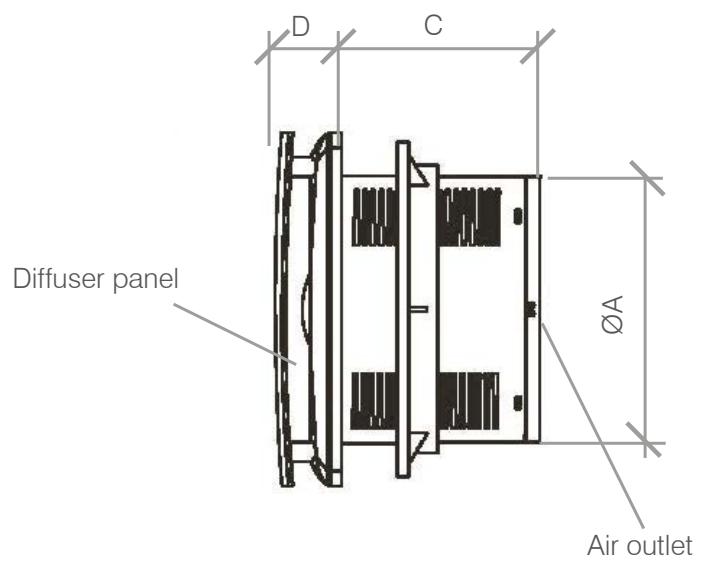
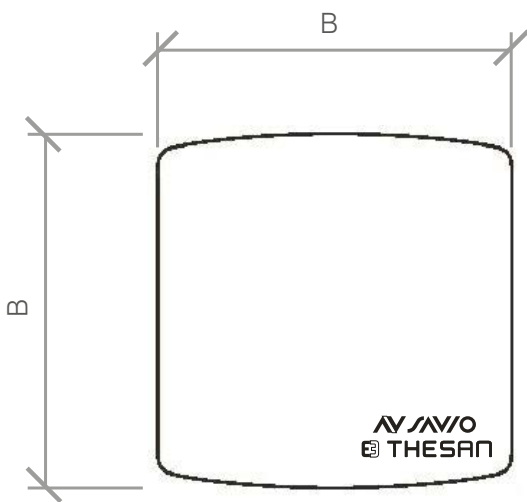
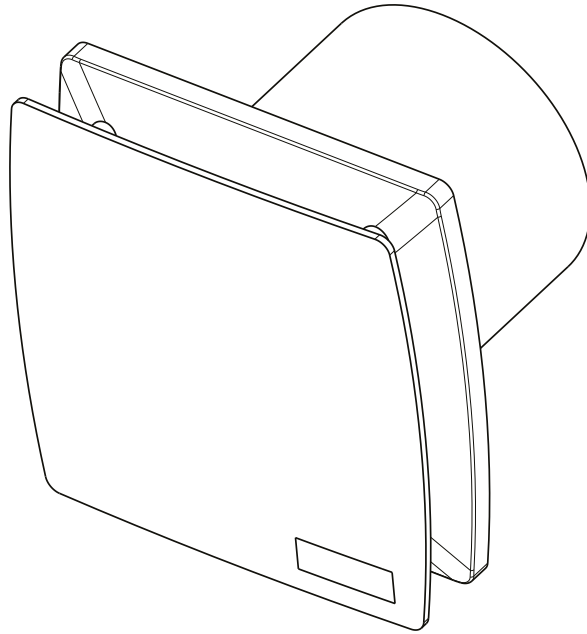
X MAX mm	PORT L = 70 mm	EXTENSION L = 75 mm
371	1 + 1	NO
446	1 + 1	1 + 1
521	1 + 1	2 + 2
596	1 + 1	3 + 3
671	1 + 1	4 + 4
746	1 + 1	5 + 5
821	1 + 1	6 + 6



- ➡ Version also installable vertically with side outlet
- ➡ Also available as an extractor version, Aircare AE

If the wall is thinner than the thicknesses in the table, just file down the extension or the port when installing.

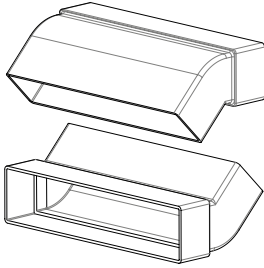
AIRCARE AEW WALL MOUNTED



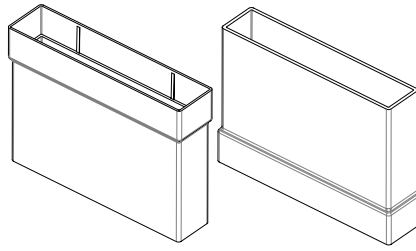
ØA	B	C	D
100mm	150mm	90mm	35mm

ACCESSORIES AND SPARE PARTS

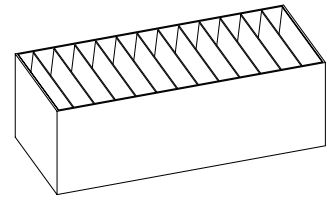
Complete line of accessories and spare parts, **easy to use or replace**, handy to complete the correct installation of Aircare ES or to adapt it to structural requirements.



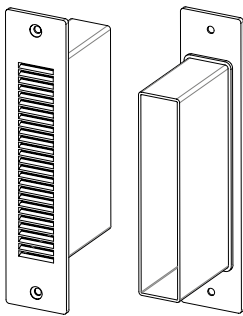
45° elbow
for ports



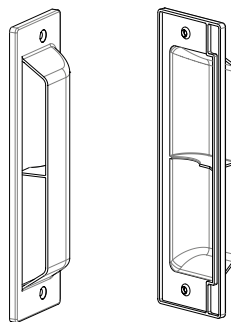
Extension
for ports



Dual layer HEPA H13
Air filter



External port
(for facade)



External port
cover

DOWNLOAD AREA

Select and download all the information you might need to find out more about world of Aircare, including technical data and installation instructions.

www.thesan.com





Savio S.p.A.

Via Torino, 25 - 10050 Chiusa di San Michele (TO)
Tel. +39 011 964 34 64 - info@thesan.it
www.savio.it - www.thesan.com